



Z5555-K

TAG _____

Z-HPT™ High Performance, 1.28 GPF, ADA,
Elongated, Siphon Jet Toilet



Z5555-K HET Series

- 1.28 gpf (gallons per flush)
- High efficiency toilets (HET) reduces water usage over 20%
- Vitreous china
- 3" Flush valve for powerful flushing
- Chrome plated metal handle
- ADA/Comfort height elongated front rim
- EcoVantage® siphon-jet design
- Extra large foot print for easy retro-fit
- 2 1/8" Fully glazed trapway
- Chloramine resistant internal components
- Maximum performance (MaP) score of 1000g
- Concealed sanitary bar
- 2 1/2" Trap seal
- 10" x 8" water surface
- Includes bolt caps
- Shipping weight: 92 lbs.

Z5555-K Series

Suffix Options:

- IN** Insulated tank
- RH** Vitreous China right-hand lever tank
- VL** Vitreous China lid with vandal-proof lockdown

Recommended Trim:

- Z5958SS-EL**
Elongated, white, closed front toilet seat with cover & stainless steel check hinge.
- Z5972-COMB**
Closet bolt & wax ring kit.
- Z8800-CR**
Standard stop with flexible closet riser.

Optional Trim:

- Z5975-FLO-JR**
PVC Flo-Bowl Jr. closet flange kit

These dimensions and specifications are subject to change without notice.

Fixture dimensions meet ANSI/ASME standard A112.19.2 and CAN/CSA B45 requirements.

Meets the American Disabilities Guidelines and ANSI A117.1 requirements when installed per code.



Engineering Specification:

- Z5555-K** Vitreous china, high efficiency, 1.28 gpf [4.8 Lpf] low consumption, high performance siphon-jet toilet with 3" flush valve, ADA/Comfort height, elongated front rim and 12" standard rough-in.



The Z5555-BWL-K is WaterSense listed when paired with a Z5535-TNK-K.

Note: Call for availability of multiple suffix options.

See Zurn One Systems for suggested packages.

Architectural/Engineering Approval

The information contained in this document is subject to change without notice. Please contact Zurn for most up to date information.

ZURN INDUSTRIES, LLC. ♦ COMMERCIAL BRASS OPERATION ♦ 5900 ELWIN BUCHANAN DRIVE ♦ SANFORD NC 27330

Phone: 1-800-997-3876 ♦ Fax: 919-775-3541 ♦ World Wide Web: www.zurn.com

In Canada: ZURN INDUSTRIES LIMITED ♦ 7900 Goreway Drive Unit 10 ♦ Brampton, Ontario L6T5W6 ♦ Phone: 905-405-8272 Fax: 905-405-1292

Rev. B
Dwg. No. 313533

Date: 4/19/2017
Product No. Z5555-K

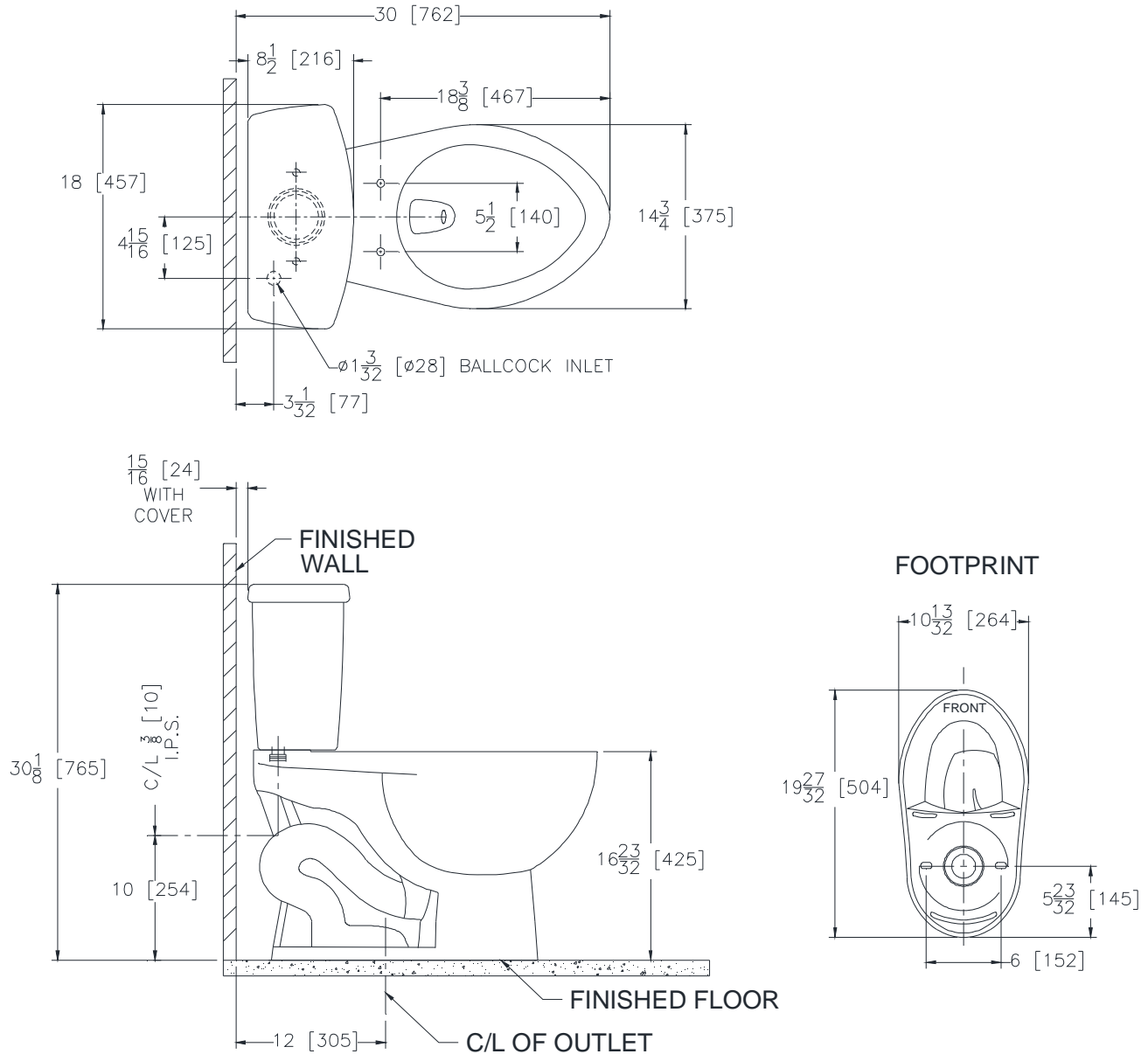


Z5555-K

TAG _____

Z-HPT™ High Performance, 1.28 GPF, ADA,
Elongated, Siphon Jet Toilet

Rough-in Dimensions for Z5555-K Series



These dimensions and specifications are subject to change without notice.

Fixture dimensions meet ANSI/ASME standard A112.19.2 and CAN/CSA B45 requirements.

Meets the American Disabilities Guidelines and ANSI A117.1 requirements when installed per code.



ZURN INDUSTRIES, LLC. ♦ COMMERCIAL BRASS OPERATION ♦ 5900 ELWIN BUCHANAN DRIVE ♦ SANFORD NC 27330

Phone: 1-800-997-3876 ♦ Fax: 919-775-3541 ♦ World Wide Web: www.zurn.com

In Canada: ZURN INDUSTRIES LIMITED ♦ 7900 Goreway Drive Unit 10 ♦ Brampton, Ontario L6T5W6 ♦ Phone: 905-405-8272 Fax: 905-405-1292

Rev. B
Dwg. No. 313533

Date: 4/19/2017
Product No. Z5555-K