



# Z5535-K

TAG \_\_\_\_\_

EcoVantage® High Efficiency, 1.28 GPF,  
STD Height, Elongated, Siphon Jet Toilet



## Z5535-K HET Series

- 1.28 gpf (gallons per flush)
- High efficiency toilets (HET) reduces potable water usage over 20%
- Vitreous china
- 3" Flush valve for powerful flushing
- Chrome plated metal handle
- Elongated front rim
- EcoVantage® siphon-jet design
- Extra large foot print for easy retro-fit
- 2 1/8" Fully glazed trapway
- Chloramine resistant internal components
- Maximum performance (MaP) score of 1000g
- Concealed sanitary bar
- 2 1/2" Trap seal
- 10" x 8" water surface
- Includes bolt caps
- Shipping weight: 89 lbs.

### Z5535-K Series

#### Suffix Options:

- IN** Insulated tank
- RH** Vitreous China right-hand lever tank
- VL** Vitreous China lid with vandal-proof lockdown

#### Recommended Trim:

- Z5958SS-EL**  
Elongated, white, closed front toilet seat with cover & stainless steel check hinge.
- Z5972-COMB**  
Closet bolt & wax ring kit.
- Z8800-CR** Standard stop with flexible closet riser.

#### Optional Trim

- Z5975-FLO-JR**  
PVC Flo-Bowl Jr. closet flange kit

*These dimensions and specifications are subject to change without notice.*

*Fixture dimensions meet ANSI/ASME standard A112.19.2 and CAN/CSA B45 requirements.*

#### Engineering Specification:

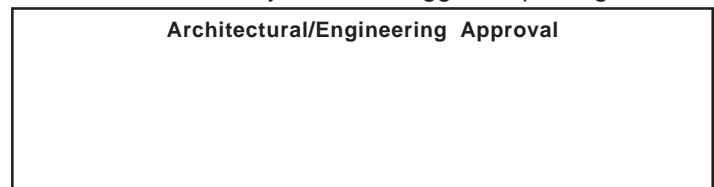
- Z5535-K**  
Vitreous china, high efficiency, 1.28 gpf [4.8 Lpf] low consumption, high performance siphon-jet toilet with 3" flush valve, elongated front rim and 12" standard rough-in.



The Z5535-BWL-K is WaterSense listed when paired with a Z5535-TNK-K

Note: Call for availability of multiple suffix options.

See Zurn One Systems for suggested packages.



The information contained in this document is subject to change without notice. Please contact Zurn for most up to date information.

ZURN INDUSTRIES, LLC. ♦ COMMERCIAL BRASS OPERATION ♦ 5900 ELWIN BUCHANAN DRIVE ♦ SANFORD NC 27330

Phone: 1-800-997-3876 ♦ Fax: 919-775-3541 ♦ World Wide Web: [www.zurn.com](http://www.zurn.com)

In Canada: ZURN INDUSTRIES LIMITED ♦ 7900 Goreway Drive Unit 10 ♦ Brampton, Ontario L6T5W6 ♦ Phone: 905-405-8272 Fax: 905-405-1292

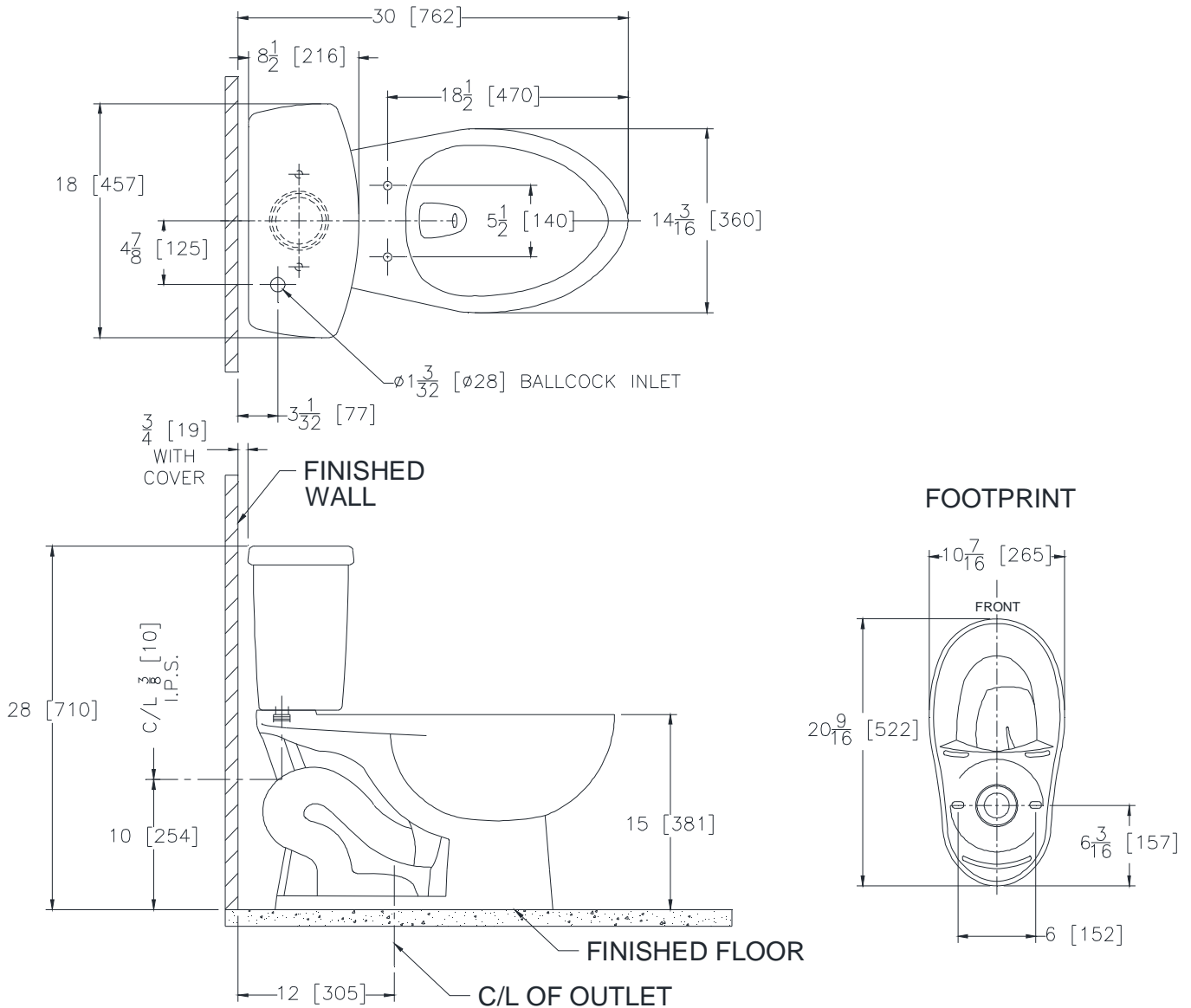


# Z5535-K

TAG \_\_\_\_\_

EcoVantage® High Efficiency, 1.28 GPF,  
STD Height, Elongated, Siphon Jet Toilet

## Rough-in Dimensions for Z5535-K Series



These dimensions and specifications are subject to change without notice.

Fixture dimensions meet ANSI/ASME standard A112.19.2 and CAN/CSA B45 requirements.

ZURN INDUSTRIES, LLC. ♦ COMMERCIAL BRASS OPERATION ♦ 5900 ELWIN BUCHANAN DRIVE ♦ SANFORD NC 27330

Phone: 1-800-997-3876 ♦ Fax: 919-775-3541 ♦ World Wide Web: [www.zurn.com](http://www.zurn.com)

In Canada: ZURN INDUSTRIES LIMITED ♦ 7900 Goreway Drive Unit 10 ♦ Brampton, Ontario L6T5W6 ♦ Phone: 905-405-8272 Fax: 905-405-1292

Rev. B  
Dwg. No. 313531

Date: 4/19/2017  
Product No. Z5535-K