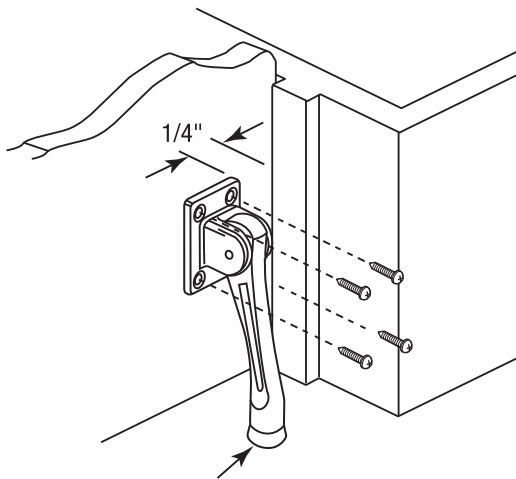


Door Stop

J 4552
Bronze



Position stop on door to allow for firm contact with floor and mark position of holes. If pre-drilling is required, use a 3/32 inch drill bit and install as required.

