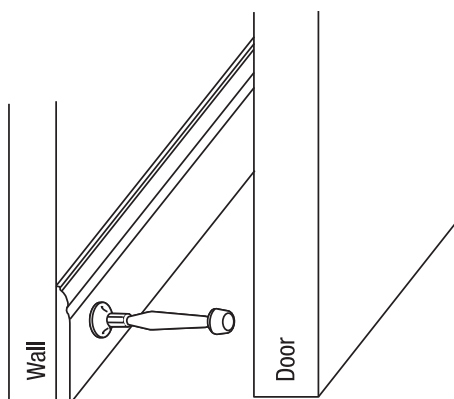


## Door Stop

**U 9136**  
Chrome Plated



Open your door until it is parallel with the wall. Using a pencil, mark the point on the baseboard that lines up with the edge of the door. Now mark a second point that is 1.5 inches from the original point, towards the door's hinges. Drill a hole into the baseboard using a 3/32 inch bit and mount the door stop.

