



Features

- Integral flange.
- Left drain.
- Slotted overflow for deep soaking.
- Integral lumbar support.
- Integral apron.
- Textured bottom surface.
- 60" (1524 mm) x 32" (813 mm) x 19" (483 mm).

Material

- Acrylic.

Installation

- Alcove.

Required Accessories

K-7271 Brass Slotted Overflow Bath Drain

or

K-7272 PVC Slotted Overflow Bath Drain



ADA

Codes/Standards

CSA B45.5/IAPMO Z124

ASTM E162

ASTM E662

Greenguard UL 2818 - Gold

ADA

ICC/ANSI A117.1

CARB P2

KOHLER® One-Year Limited Warranty

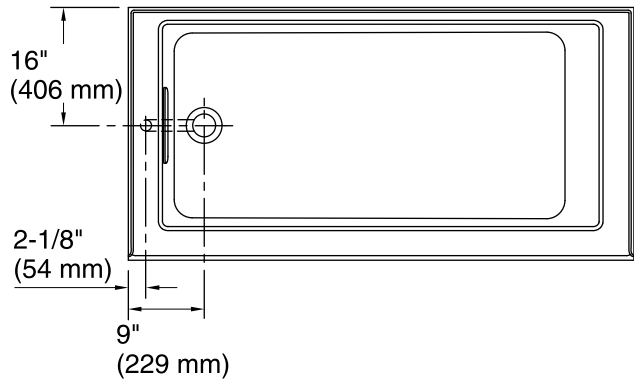
See website for detailed warranty information.

Available Color/Finishes

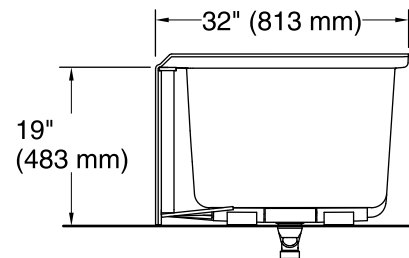
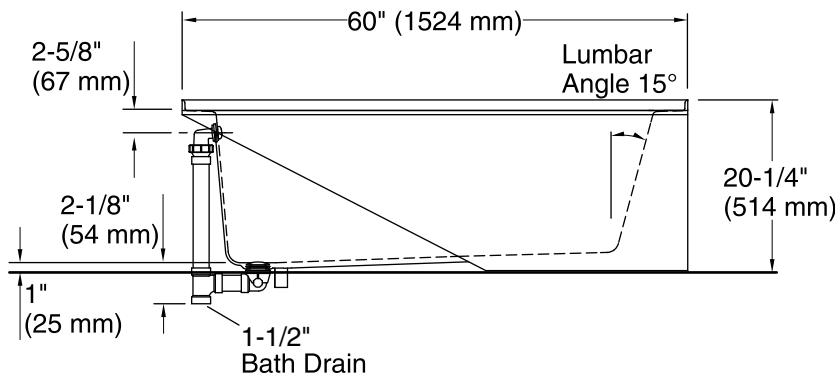
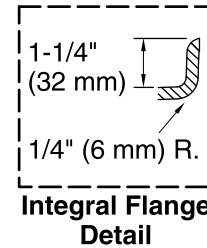
Color tiles intended for reference only.

| Color | Code | Description |
|-------|------|-------------|
|-------|------|-------------|

| | | |
|--|---|-------|
|  | 0 | White |
|--|---|-------|



No change in measurements if connected with drain illustrated. (K-7272)



Technical Information

All product dimensions are nominal.

| | |
|------------------------|---|
| Installation: | 3-Wall Alcove |
| Drain location: | Left |
| Basin area, bottom: | 46-1/4" x 22" (1175 mm x 559 mm) |
| Basin area, top: | 52" x 24" (1321 mm x 610 mm) |
| Weight: | 100 lbs (45.4 kg) |
| Minimum floor load: | 56 lbs/ft ² (273.4 kg/m ²) |
| Water depth: | 15-1/2" (394 mm) |
| Water capacity: | 68 gal (257.4 L) |
| Minimum flat for door: | 2-3/4" (70 mm) |

Notes

Measure your actual product for rough-in details.

Install this product according to the installation instructions.

The hot water supply should be 70% of the capacity of the bath or greater. Installations will vary.

ADA compliant when installed to the specific requirements of these regulations.