

Features

- The bridge and switch module system allows control and operation of most electrical devices from the DTV+ interface.
- The bridge module provides wireless communication between the DTV+ Controller and the switch modules.
- DTV+ System can control up to three switch modules utilizing the bridge module.
- Timer function for precise control.
- Example applications: bathroom lighting, bathroom fans, switchable glass, towel warmers.

Material

- Premium material construction ensures reliability and durability.

Installation

- On/off and dimmer switch modules must be located within 25ft of the bridge module for reliable operation.
- Includes 6ft RJ45 Ethernet cable for connection to DTV+ System Controller.

Required Accessories

K-99693 Digital Interface
K-99694 Interface Mounting Bracket
K-99695 System Controller Module
K-99699 On/Off Switch Module

or

K-99693 Digital Interface
K-99694 Interface Mounting Bracket
K-99695 System Controller Module
K-99700 Dimmer Module

Loose component/s: 6ft RJ45 cable, and Mounting hardware.

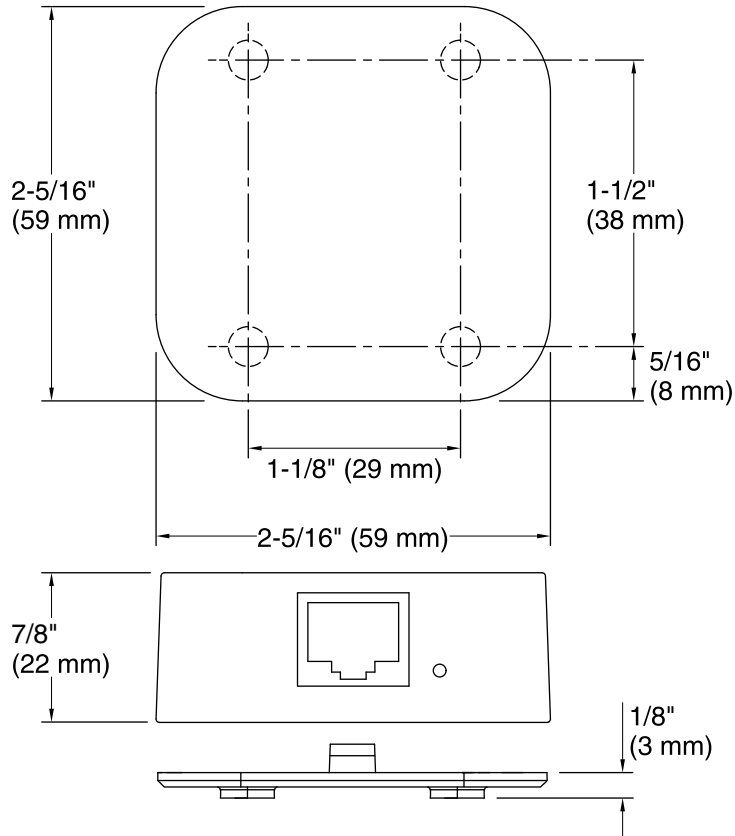


Codes/Standards

None Applicable

KOHLER® Electronic Faucets, Valves, and Controls - Five-Year Limited Warranty

See website for detailed warranty information.



Technical Information

All product dimensions are nominal.

Notes

Install this product according to the installation guide.

Install the bridge within 5' (1.5 m) of the DTV+ system controller or obtain a longer cable.