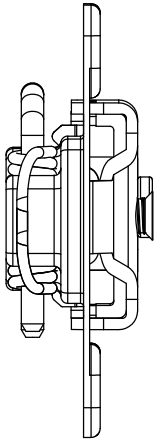
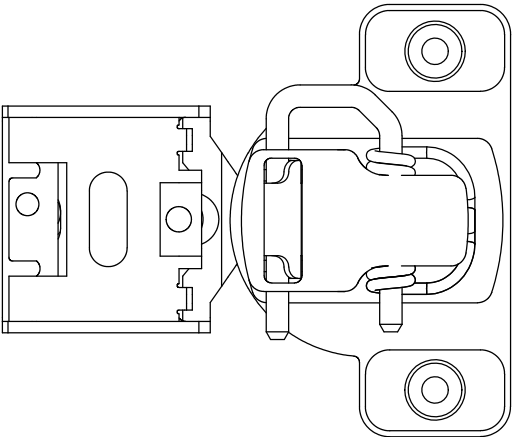
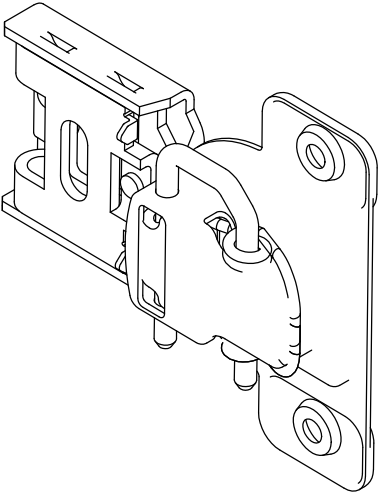
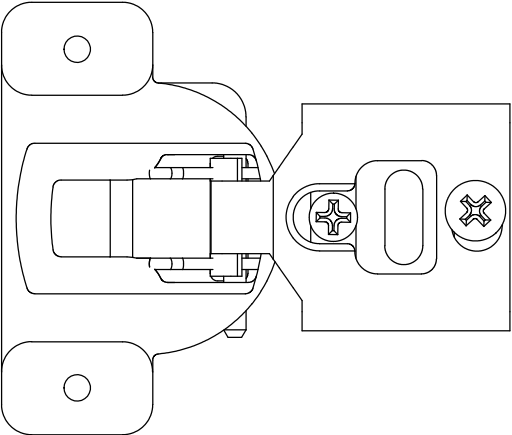
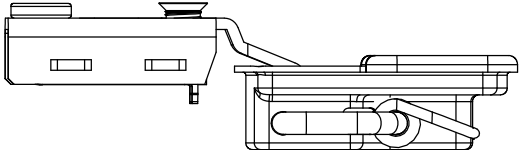


Drawn by: Udhay.N	Scale: 2:1	Date: 09/15/05	HARDWARE RESOURCES
<p style="text-align: center;">TOLERANCES</p> <p style="text-align: center;">UNLESS OTHERWISE SPECIFIED TOLERANCES ARE IN METRIC</p> <p>OVER ALL LENGTH $\pm 0.1\text{MM}$ ANGLES $\pm 0^\circ 30'$</p>			4319 MARLENA ST, BOSSIER CITY, LA71111
			PART NAME: NEW HINGE
			MATERIAL:
			ITEM NO:
			PLATING:

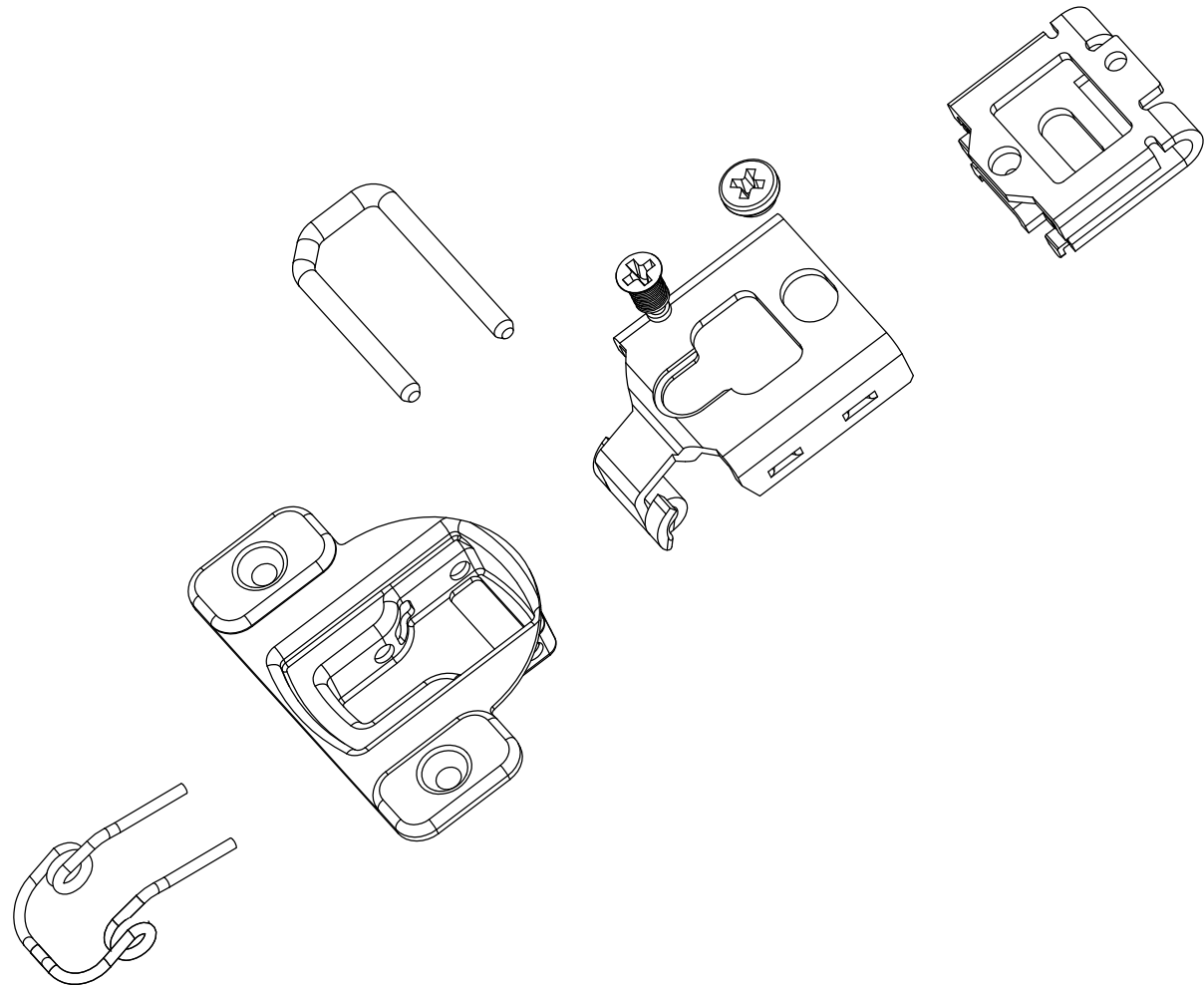
* - Critical Dimensions

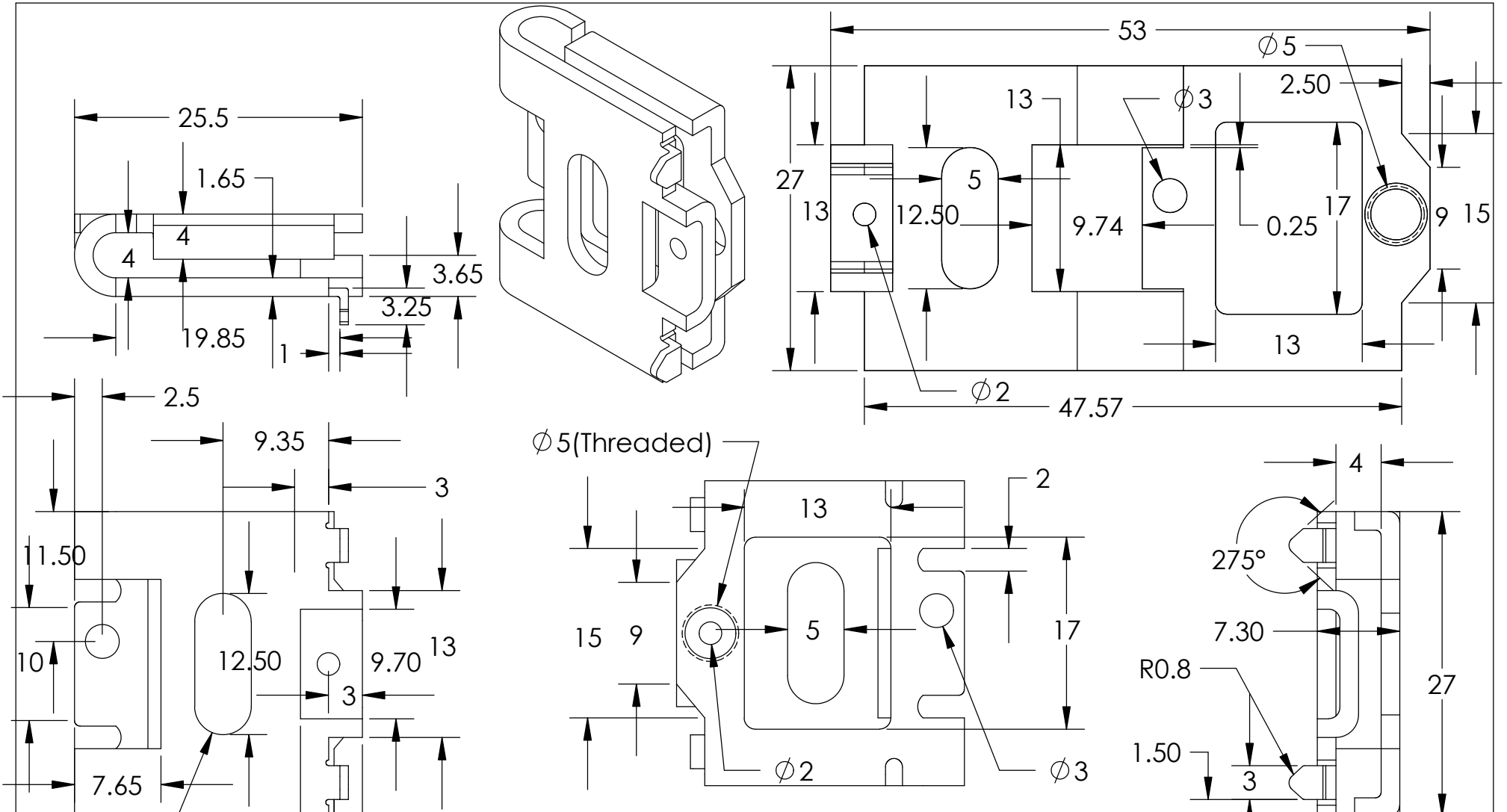
Sheet 1/3

All Views



Exploded View





Drawn by: Udhay.N | Scale: 1:1 | Date:

HARDWARE RESOURCES

4319 MARLENA ST, BOSSIER CITY, LA71111

PART NAME:

MATERIAL:

ITEM NO:

PLATING:

TOLERANCES

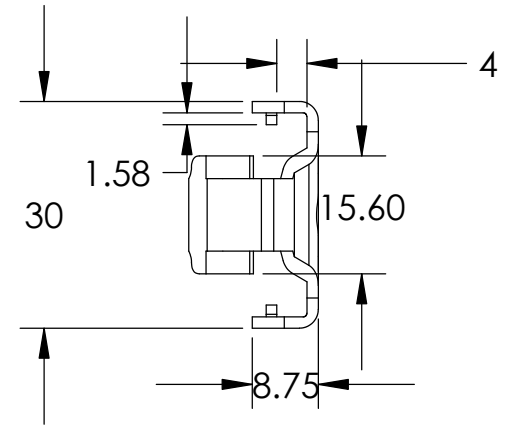
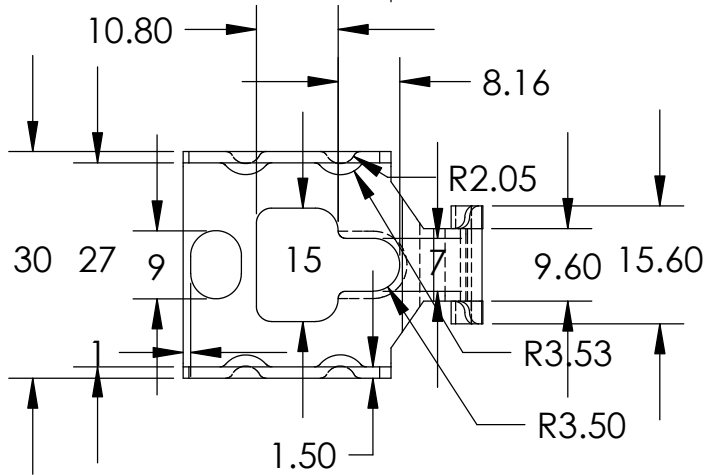
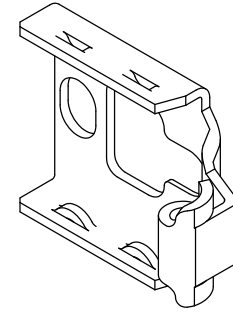
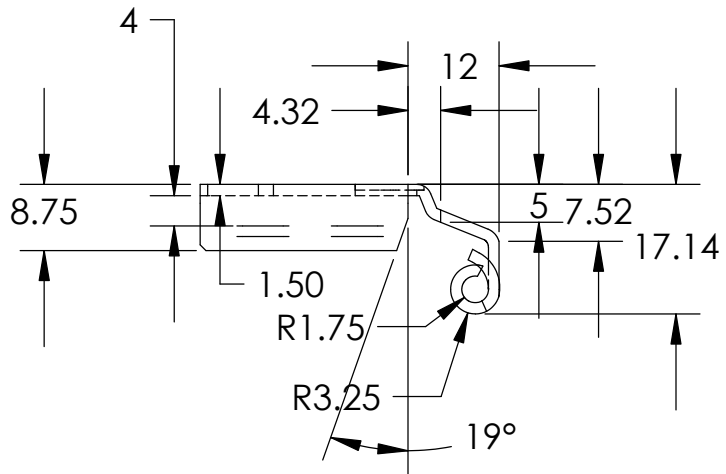
UNLESS OTHERWISE SPECIFIED TOLERANCES ARE IN METRIC

OVER ALL LENGTH ±0.1MM

ANGLES ±0° 30'

* - Critical Dimensions

Sheet 1/1



Drawn by: Udhay.N	Scale: 1:1	Date: 09/15/05
----------------------	---------------	-------------------

HARDWARE RESOURCES
4319 MARLENA ST, BOSSIER CITY, LA71111

TOLERANCES
UNLESS OTHERWISE SPECIFIED
TOLERANCES ARE IN METRIC

OVER ALL LENGTH	±0.1MM
ANGLES	±0° 30'

PART NAME:

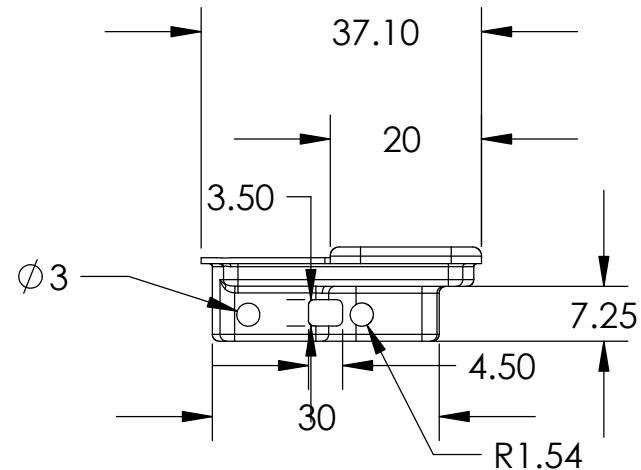
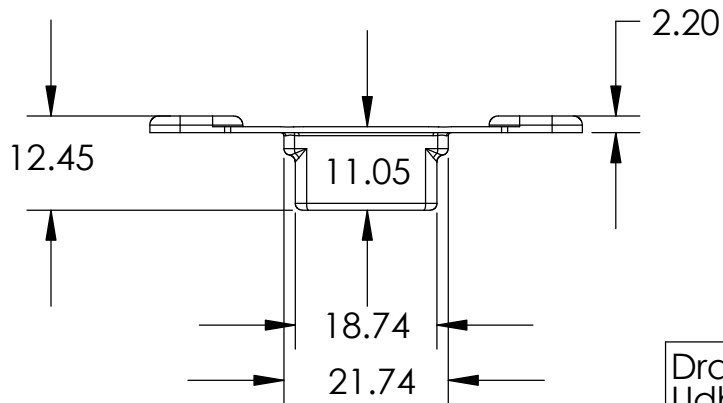
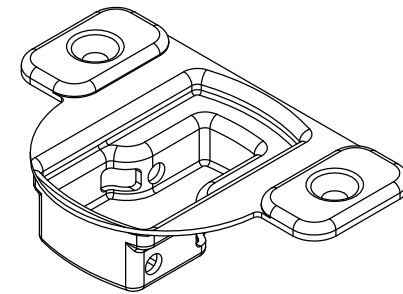
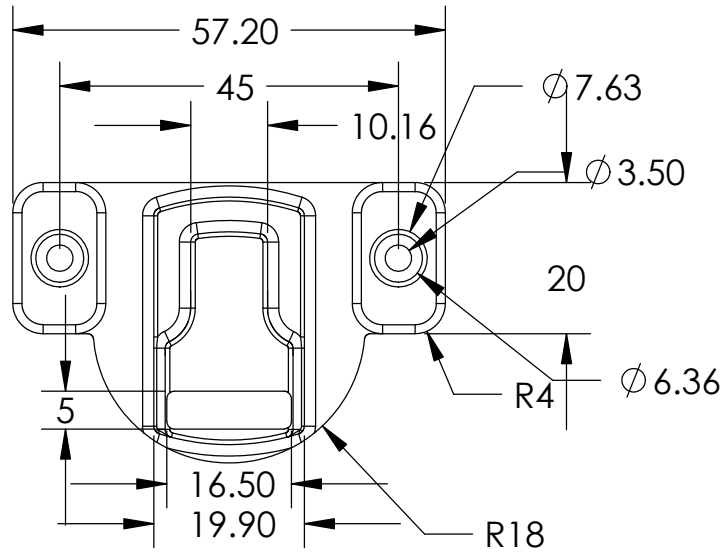
MATERIAL:

ITEM NO:

PLATING:

* - Critical Dimensions

Sheet 3/3



Drawn by: Udhay.N	Scale: 1:1	Date:	HARDWARE RESOURCES
<p style="text-align: center;">TOLERANCES</p> <p style="text-align: center;">UNLESS OTHERWISE SPECIFIED TOLERANCES ARE IN METRIC</p> <p style="text-align: center;">OVER ALL LENGTH $\pm 0.1\text{MM}$ ANGLES $\pm 0^\circ 30'$</p>			4319 MARLENA ST, BOSSIER CITY, LA71111
			PART NAME:
			MATERIAL:
			ITEM NO:
			PLATING:

* - Critical Dimensions

Sheet 1/1