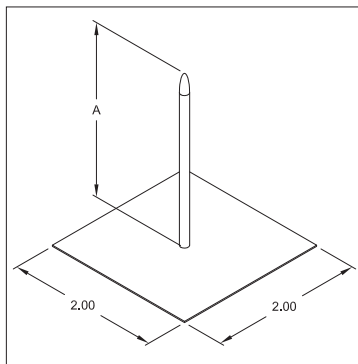
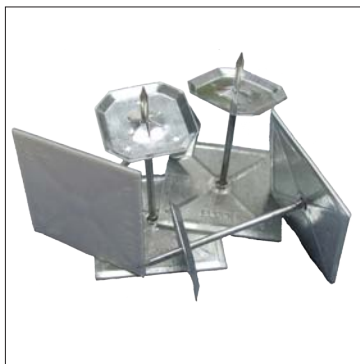


Insulation Hangers (Peel & Press)



Product Data Sheet



Features

Base plate is covered with adhesive i.e. peel the release paper & press for contact.

Description

Elgen's insulation hangers are used to secure fiberglass insulation to the inside or outside of the ductwork.

Optional Construction

Perforated Base
Copper coated nail
Aluminum base

Standard Construction

Nail- 12 GA zinc plated carbon steel
Baseplate - 28 GA, 2" x 2" wide ASTM A-653 galvanized carbon steel
Washer- 30 GA ASTM A-653 galvanized carbon steel

The baseplate is coated with adhesive and covered with silicone release paper. (Peel & Press)

Packaging

Size (in) (A)	Box Qty	Skid Qty
3/4	500	18,000
1-1/4	500	18,000
1-3/4	500	18,000
2	500	18,000
2-1/2	500	18,000
4-1/2	500	18,000

Guarantee

All Elgen products are guaranteed by Elgen Manufacturing against defective material.

Elgen Manufacturing
10 Railroad Ave, Closter NJ 07624
Tel: 800.503.9805 :: Fax: 201.964.9030
info@elgenmfg.com :: www.elgenmfg.com