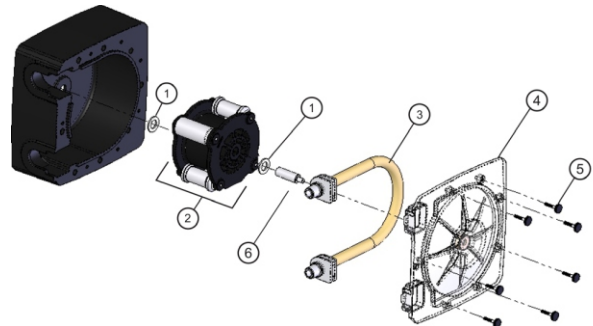


15.1 Replacement Parts

A4/M4 Replacement Parts

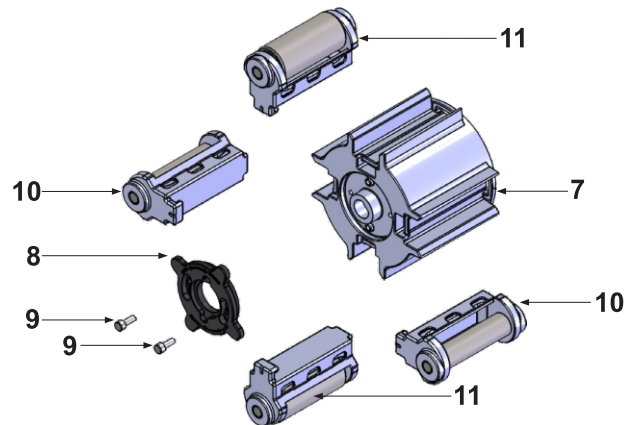
Pump Head Components	Part No.	QTY Req'd
1 Spacer	90011-217	2
2 Complete Roller Assembly		1
NL / NP	A4-MNL-R	
TH / TK / TTK / THH	A4-MTH-R	
NH / NK / NHH / NHL / NHHL	A4-MNH-R	
NKL / NKKL	A4-MNKL-R	
GH / GK / GKK	A4-MGH-R	
3 Tubing (Reference Tubing Matrix)		1
4 Pump Head Cover	A4-SXX-C	1
5 Thumb Screws	90011-183	8
6 Shaft Extension	90007-128	1



*Pump Head not for sale. For more information please contact a local sales representative.

Roller Assembly Parts	Part No.	QTY Req'd
7 A4 ROTOR BODY	76010-042*	1
8 SPIDER RING	76002-038*	1
9 10-32 CAPTIVE SCREW	90011-341*	2
A4 ROTOR ASSY (7,8, and 9)	71010-799	1
10 ARM ROLLER GUIDE	71010-771	2
11 ARM ROLLER		
NL / NP	71010-766	2
TH / TK / TKL / THH	71010-767	2
NH / NK / NHH / NHL / NHHL	71010-768	2
NKL / NKKL	71010-769	2
GH / GHH / GK /GKK	71010-770	2

*Only available as part of Rotor Assy 71010-799



Quick Disconnect Fittings*	Part No.	QTY Req'd
12 Quick Disconnect Fittings		1
.50" M/NPT FKM	KIT-QMV	
.50" M/NPT EP	KIT-QME	
.50" M/NPT Aflas	KIT-QMA	
.50" Barb FKM	KIT-QBV	
.50" Barb EP	KIT-QBE	
.50" Barb Aflas	KIT-QBA	

*For use only with "Q" style pump tubes



Miscellaneous Parts*	Part No.	QTY Req'd
A Stainless Steel Mounting Bracket	72000-379	1
B Stainless Steel Mounting Bracket (Extended)	72000-380	1
C Rubber Feet	90003-561	1

*Sold Separately



A



B



C

FLEXFLO® Model Number

A4 Tubing

Inlet/Outlet Connection Size, Connection Type, Connection Material

M	1/2" Male NPT Fitting, Natural PVDF (Kynar)
B	1/2" ID Tubing Barb Fitting, Natural PVDF (Kynar)
Q	Quick Disconnect, Natural PVDF (Kynar). NP flow rate reduced 16.5% with Quick Disconnect connections (Valves sold separately)
C	1/2" - 3/4" Tri-clamp connections, Natural PVDF (Kynar)
MB	1/2" Male BSPT Fitting, Natural PVDF (Kynar)

Pump Tube Material, Pump Tube Size

GH	Flex-A-Thane® .312 ID	NHHL	Flex-A-Prene® .250 ID (Dual Tube)
GHH	Flex-A-Thane® .312 ID (Dual Tube)	NKK	Flex-A-Prene® .375 ID
GK	Flex-A-Thane® .375 ID	NL	Flex-A-Prene® .500 ID
GKK	Flex-A-Thane® .375 ID (Dual Tube)	NP	Flex-A-Prene® .750 ID
NH	Flex-A-Prene® .250 ID	TH	Flex-A-Chem® .250 ID
NHL	Flex-A-Prene® .250 ID	TK	Flex-A-Chem® .375 ID
NHH	Flex-A-Prene® .250 ID (Dual Tube)	TKK	Flex-A-Chem® .375 ID (Dual Tube)

A4 - M NH - T Tube Sample Model Number

Output Specifications

Tube Material / Size	Feed Rate			Max Speed	Max Pressure	Max Temperature
	GPH	LPH	mL/Min	RPM	PSI (bar)	°F (°C)
Flex-A-Thane® Tube						
GH	Up to 39.6	Up to 150	Up to 2500	125	65 (4.5)	130 (54)
GHH	Up to 71.0	Up to 268	Up to 4479	125	65 (4.5)	130 (54)
GK	Up to 55.5	Up to 210	Up to 3500	125	65 (4.5)	130 (54)
GKK	Up to 100	Up to 378	Up to 6300	125	65 (4.5)	130 (54)
Flex-A-Prene® Tube						
NH	Up to 28.5	Up to 108	Up to 1800	125	125 (8.6)	185 (85)
NHL	Up to 28.5	Up to 108	Up to 1800	125	65 (4.5)	185 (85)
NHH	Up to 54.0	Up to 204	Up to 3400	125	100 (6.9)	185 (85)
NHHL	Up to 54.0	Up to 204	Up to 3400	125	65 (4.5)	185 (85)
NK	Up to 50.7	Up to 192	Up to 3200	125	80 (5.5)	185 (85)
NL	Up to 100	Up to 378	Up to 6300	125	50 (3.4)	185 (85)
NP	Up to 158.5	Up to 600	Up to 10000	125	30 (2.1)	185 (85)
Flex-A-Chem® Tube						
TH	Up to 25.4	Up to 96	Up to 1603	125	30 (2.1)	130 (54)
TK	Up to 54.0	Up to 204	Up to 3400	125	30 (2.1)	130 (54)
TKK	Up to 126	Up to 477	Up to 8000	125	30 (2.1)	130 (54)

** NP flow rate reduced 16.5% with Quick Disconnect connections.

16.0 ACCESSORIES

The following accessories are available for the A4 FLEXFLO® Peristaltic Metering Pump. Please visit Blue-white.com for more information. All accessories are sold separately.



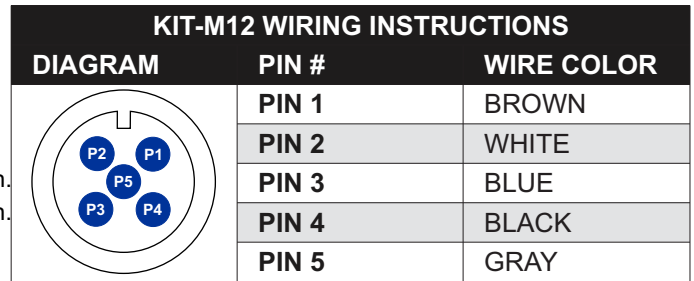
KIT-M12
TWO M12 CABLES

*KIT-M12-3 for 3 Cables
*KIT-M12-6 for 6 Cables

KIT-M12

Kit contains: Two M12 cables. 10 foot length.

KIT-M12-2-15 15 foot length.
KIT-M12-2-30 30 foot length.



NOTE: THIS DIAGRAM IS FOR THE PUMP'S M12 PORT



CABLE-UAC
USB A-C CABLE

CABLE-UAC

Kit contains: One 3' USB-A to USB-C cable.



KIT-PB3
One 3ft Profibus Cable

KIT-DP3

Kit contains: One 3' profibus cable.



KIT-QMV
.50" M/NPT QUICK CONNECT

*KIT-QME for EP O-rings

KIT-QMV

Kit contains: One Quick Connect Inlet with .50" M/NPT (assembled with FKM O-rings) and One Quick Connect Outlet with .50" M/NPT (assembled with FKM O-rings)



KIT-QBV
.50" BARB QUICK CONNECT

*KIT-QBE for EP O-rings

KIT-QBV

Kit contains: One Quick Connect Inlet with .50" hose barb connection (assembled with FKM O-rings), One Quick Connect Inlet with .50" hose barb connection (assembled with FKM O-rings) and two #5 Clamps.

**KIT-PSM**

Kit contains: One HDPE Bracket, (4) 3/8" x 2-3/4" long dia anchor bolts.

**POWER CORDS - DETACHABLE**

- 90010-663 115V/60Hz NEMA 5/15
- 90010-664 220V/50Hz CEE 7/V11
- 90010-665 230V/50Hz BS 1363/A
- 90010-666 240V/50Hz AS 3112
- 90010-696 230V/60Hz NEMA 6/15
- 90010-711 115V/60Hz NEMA 5/15 (Lockable)