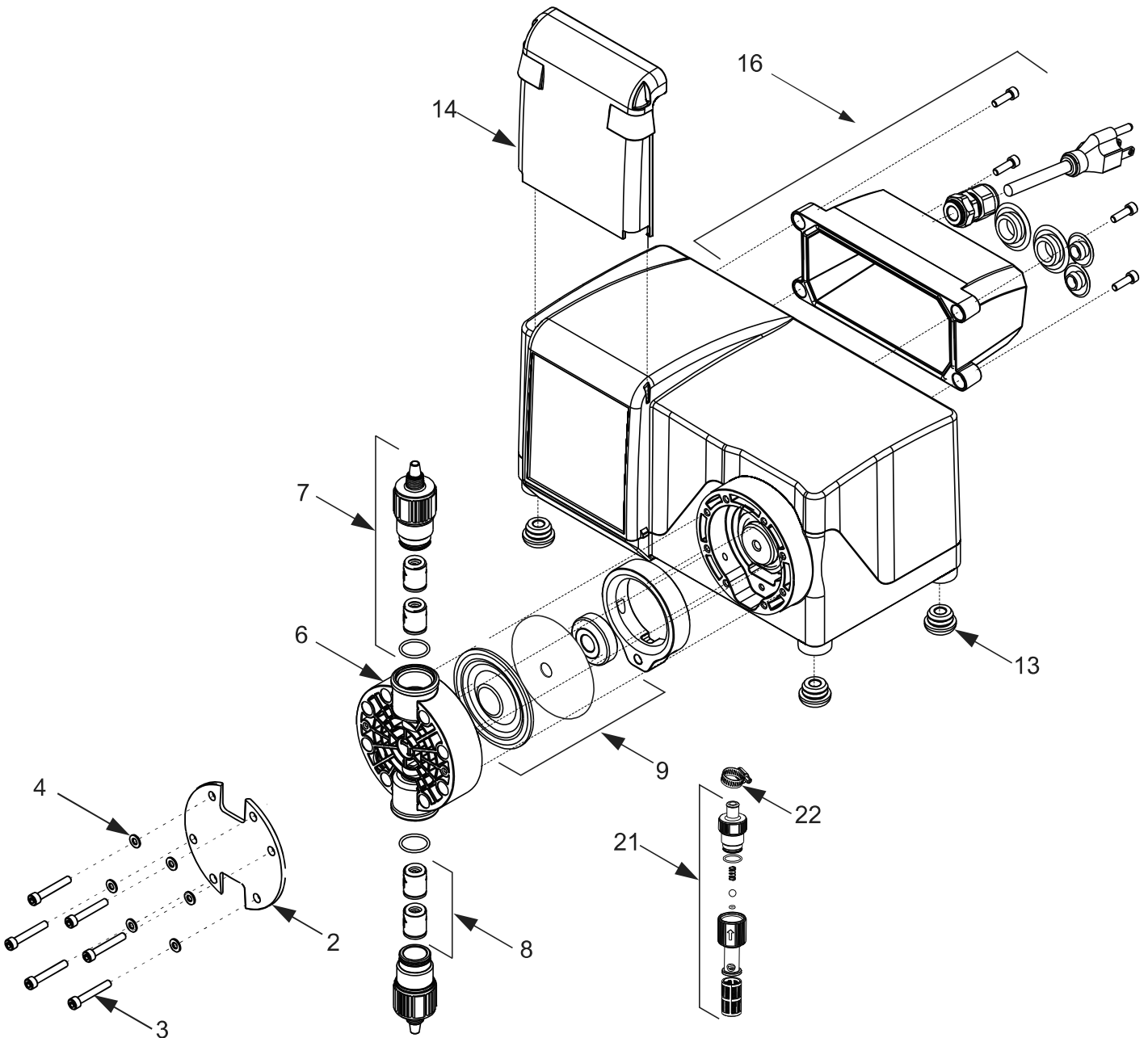


17.0 Replacement Parts List

17.1 C2 Exploded View



17.2 C2 Replacement Parts

ITEM	PART NO.	DESCRIPTION	QTY REQ.
2	70004-541	COVER P/H, CM-2, SS	1
3	90011-149	SCREW 10X32 X 1.25	8
4	90011-094	WASHER #10 P/H SS	8
6	71010-446	P/HEAD MICRO C2 PVDF	1
	90002-273	P/HEAD SM C2 PVDF	
	90002-272	P/HEAD LG C2 PVDF	
7	70001-349	VALVE .5 M/NPT AFLAS	2
	70001-350	VALVE .5 M/NPT EP	
	70001-351	VALVE .5 F/NPT AFLAS	
	70001-352	VALVE .5 F/NPT EP	
	70001-347	VALVE .5 T-BARB AFLAS	
	70001-348	VALVE .5 T-BARB EP	
	70001-372	VALVE .375 TUBE AFLAS	
	70001-373	VALVE .375 TUBE EP	
8	20000-194	KIT 4 EA. VALVE AFLAS	1
	20000-195	KIT 4 EA. VALVE EP	
9	72000-551	MICRO DIAPHRAGM KIT	1
	72000-296	SMALL DIAPHRAGM KIT	
	72000-297	LARGE DIAPHRAGM KIT	
	72000-606	MICRO DIA KIT FLEX-A-PRENE	
	72000-607	SM DIA KIT FLEX-A-PRENE	
	72000-605	LG DIA KIT FLEX-A-PRENE	
11	71001-002	FRAME INSERT LG. W/SEAL	1
	71001-003	FRAME INSERT SM. W/SEAL	
13	90003-561	BUMPER FEET	4
14	90002-326	UV LCD CVR PLYCRB	1
16	71010-027	J-BOX KIT W/ 115V	1
	71010-029	J-BOX KIT W/ 220V	1
	71010-028	J-BOX KIT W/ 230V	1
	71010-030	J-BOX KIT W/ 240V	1
21	71000-575	FOOTVALVE .5 BRR VIT/AF	1
	71000-447	FTVALVE .5 BRB VT/AF NO SP	
	71000-325	FOOTVALVE .5 BRB EP NO SP	
22	90008-043	CLAMP SS .5"	1