

# Drain Pump Series

Remove water from areas with no gravity flow.

Designed for applications where gravity flow is not possible including laundry tray, wet bar sink, lavatory, air conditioning condensate, and dehumidifier. Can also be used in conjunction with dishwashers and garbage disposals.

## Features:

- Automatic pumps with tank cord seals
- No inlet filters or screens to clean
- Polypropylene basin and lid
- Low profile, easy installation; can be installed in base cabinet under a sink
- Trap can be installed inside basin

**100% factory tested**



**ZOELLER**®  
PUMP COMPANY

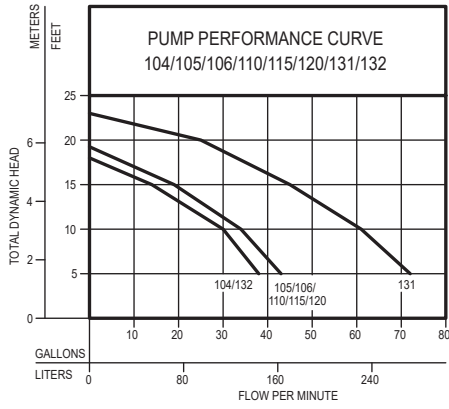
Trusted. Tested. Tough.®

zoellerpumps.com 800-928-7867  
3649 Cane Run Road, Louisville, KY 40211 USA



FM3164

## TOTAL DYNAMIC HEAD FLOW PER MINUTE



MODELS		104/132		105/106 110/115/120		131	
Feet	Meters	Gal.	Liters	Gal.	Liters	Gal.	Liters
5	1.5	38	144	43	163	72	273
10	3.0	30	114	34	129	61	231
15	4.6	14	53	19	72	45	170
20	6.1	--	--	--	--	25	95
Shut-off Head:		18 ft. (5.5m)		19.25 ft. (5.9m)		23 ft. (7.0m)	

009898

Model	MODEL COMPARISON								
	Seal	Mode	Volts	Ph	Amps	HP	Hz	Lbs	Kg
104 (M72)	Single	Auto	115	1	3.1	1/3	60	16	7
105 (M53)	Single	Auto	115	1	9.7	3/10	60	30	14
106 (M63)	Single	Auto	115	1	9.7	3/10	60	36	16
110 (M55)	Single	Auto	115	1	9.7	3/10	60	32	15
115 (M57)	Single	Auto	115	1	9.7	3/10	60	36	16
120 (M59)	Single	Auto	115	1	9.7	1/3	60	37	17
132 (M72)	Single	Auto	115	1	3.1	1/3	60	19	9
131 (M98)	Single	Auto	115	1	9.4	1/2	60	43	20

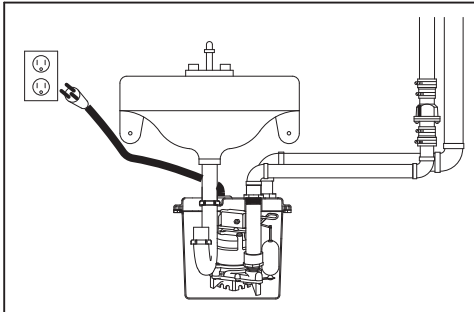


All installation of controls, protection devices and wiring should be done by a qualified licensed electrician. All electrical and safety codes should be followed including the most recent National Electrical Code (NEC) and the Occupational Safety and Health Act (OSHA).

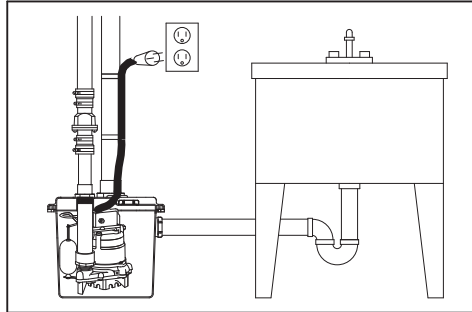
### INTERNAL TRAP \*\*

### STANDARD INSTALL

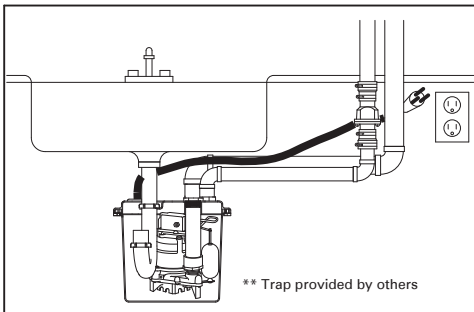
Lavatory Sink



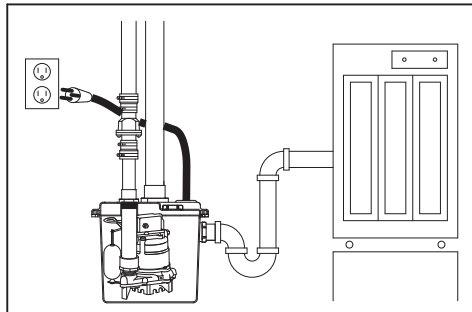
Laundry Tray Pump



Wet Bar With Sink



Dehumidifier or Air Conditioner



SK2011

Applications include: laundry tray pump, wet bar sink, lavatory, air conditioning condensate or dehumidifier water removal. It can also be used in conjunction with dishwashers and garbage disposal applications.

© Copyright 2020 Zoeller® Co. All rights reserved.

502-778-2731 | 800-928-7867 | 3649 Cane Run Road | Louisville, KY 40211-1961 | zoellerpumps.com