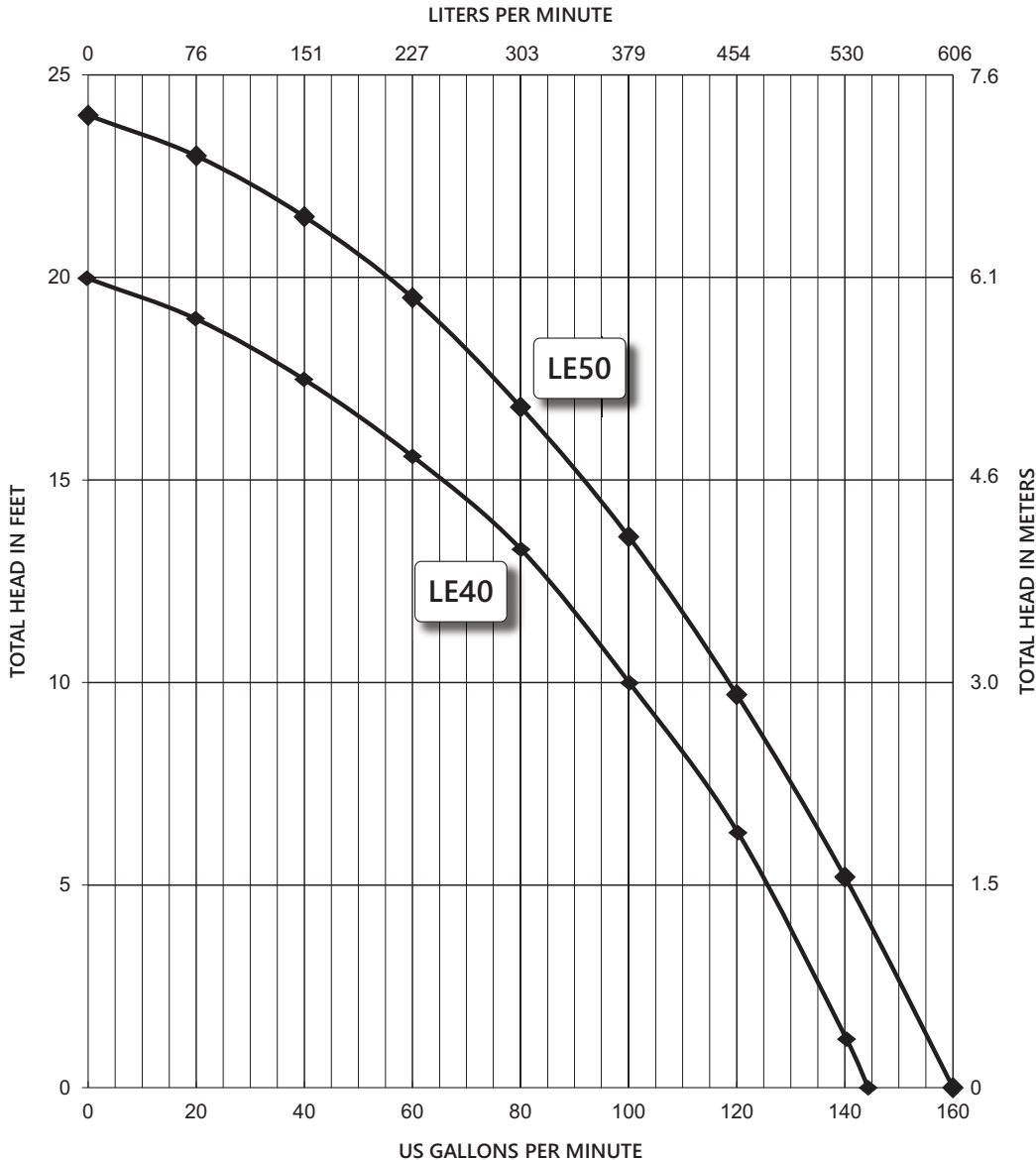
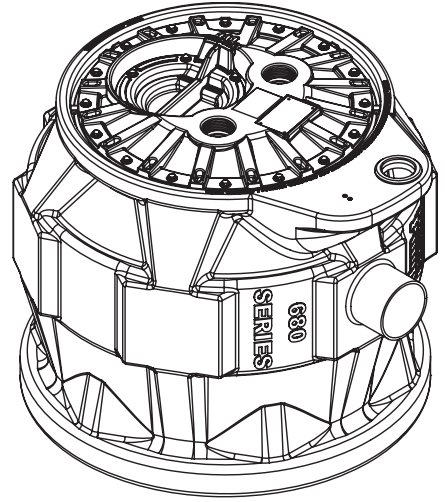
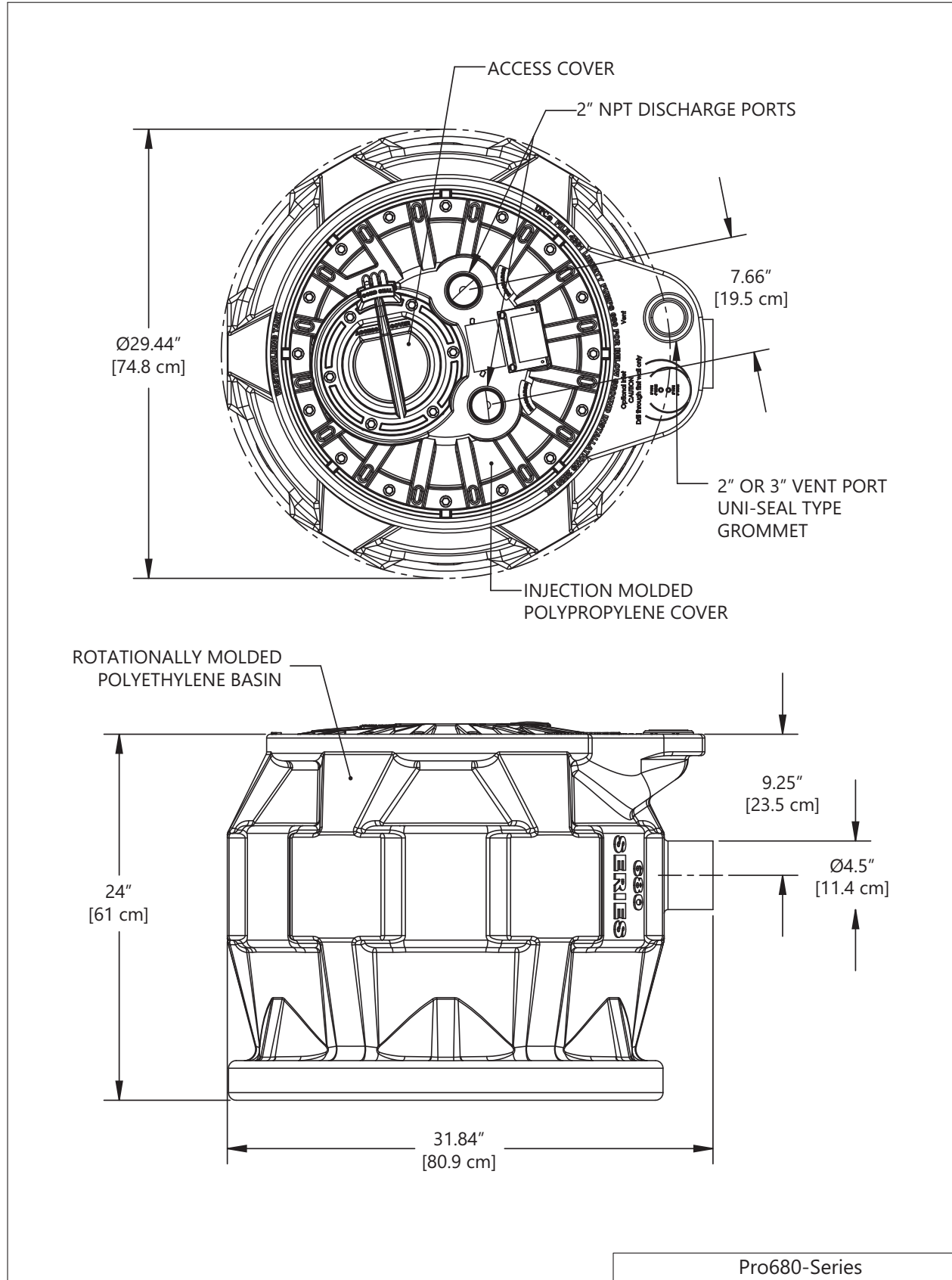


## Product Specification

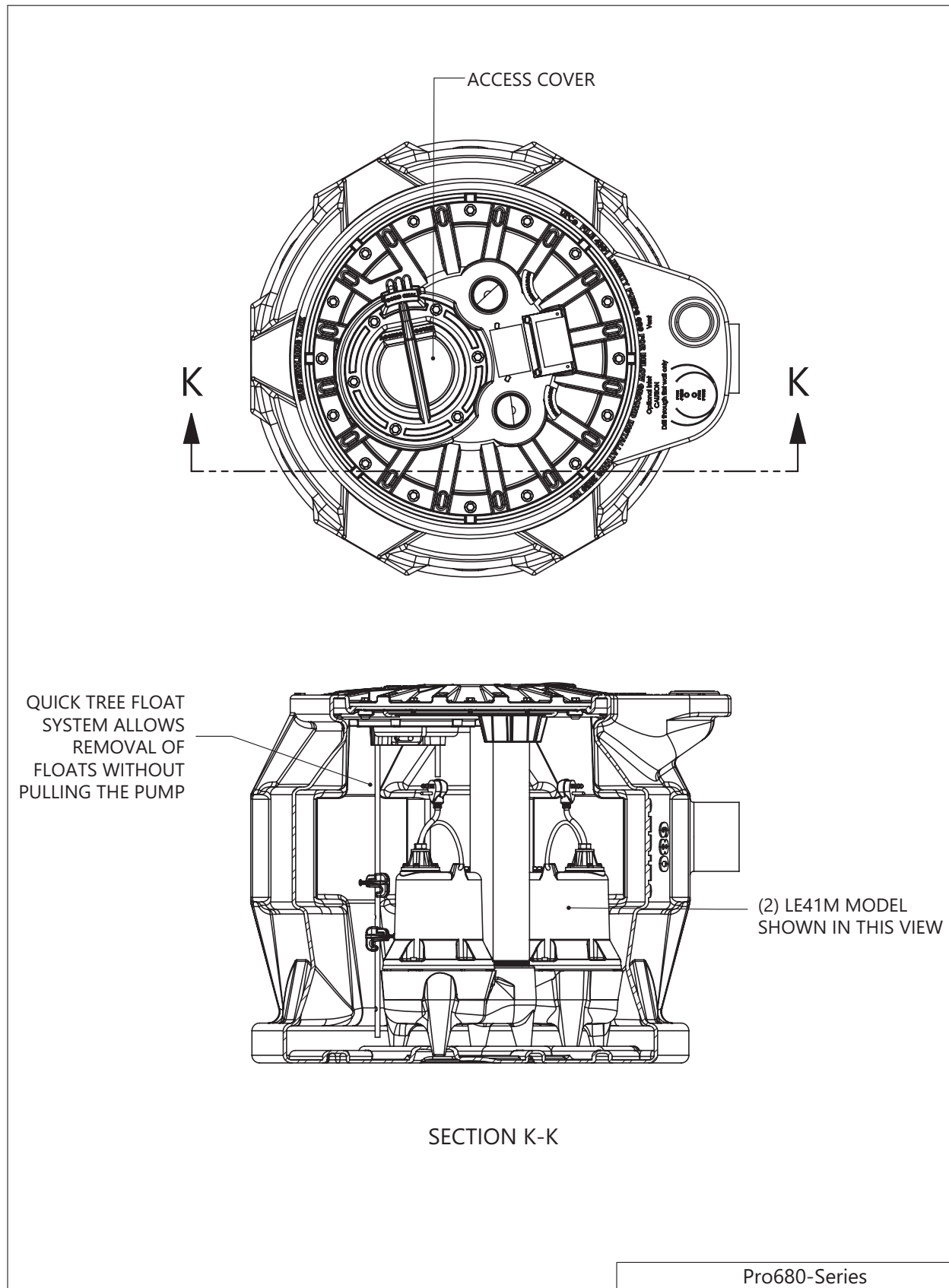
### Pro680-Series Duplex Sewage Packages with LE40/LE50-Series Pumps



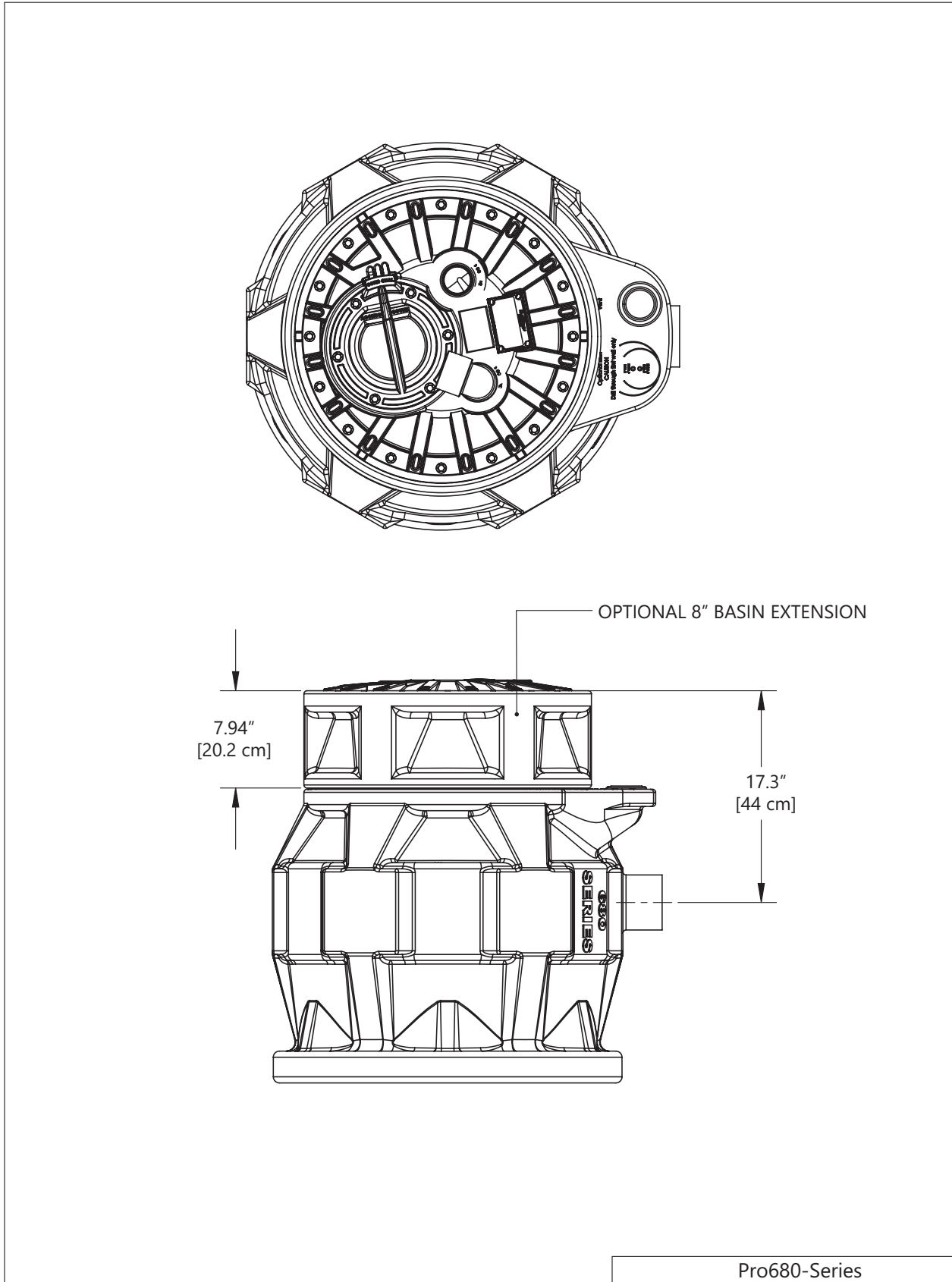
# Pro680-Series Dimensional Data



# Pro680-Series Dimensional Data



## Pro680-Series Dimensional Data



## Pro680-Series Electrical Data

MODEL	HP	VOLTAGE	PHASE	SF	FULL LOAD AMPS	LOCKED ROTOR AMPS	THERMAL OVERLOAD TEMP	STATOR WINDING CLASS	DISCHARGE	CORD ASSEMBLY LENGTH [FT]	AUTOMATIC
P682XLE41	4/10	115	1	1.00	12	22.5	105°C 221°F	B	2"	10	YES
P682XLE41-2	4/10	115	1	1.00	12	22.5	105°C 221°F	B	2"	25	YES
P682XLE41W	4/10	115	1	1.00	12	22.5	105°C 221°F	B	2"	10	YES (OUTDOOR PANEL)
P682XLE41W-2	4/10	115	1	1.00	12	22.5	105°C 221°F	B	2"	25	YES (OUTDOOR PANEL)
P682XLE51	1/2	115	1	1.00	12	22.5	105°C 221°F	B	2"	10	YES
P682XLE51-2	1/2	115	1	1.00	12	22.5	105°C 221°F	B	2"	25	YES
P682XLE51W	1/2	115	1	1.00	12	22.5	105°C 221°F	B	2"	10	YES (OUTDOOR PANEL)
P682XLE51W-2	1/2	115	1	1.00	12	22.5	105°C 221°F	B	2"	25	YES (OUTDOOR PANEL)
P682XLE52	1/2	208-230	1	1.00	6.8	12	105°C 221°F	B	2"	10	YES
P682XLE52-2	1/2	208-230	1	1.00	6.8	12	105°C 221°F	B	2"	25	YES
P682XLE52W	1/2	208-230	1	1.00	6.8	12	105°C 221°F	B	2"	10	YES (OUTDOOR PANEL)
P682XLE52W-2	1/2	208-230	1	1.00	6.8	12	105°C 221°F	B	2"	25	YES (OUTDOOR PANEL)

## Pro680-Series Technical Data

---

TANK	UPC LISTED POLYETHYLENE BASIN MEETS IAPMO PS52 10' STACK TEST
COVER	POLYPROPYLENE (HDPE FOR SIDE DISCHARGE MODEL)
GUIDE RAIL	NONE – PUMPS PULL OUT WITH COVER
INLET HUB	INCORPORATED INTO TANK
DISCHARGE PIPE	SCHEDULE 80 PVC
CONTROLS	PDC DUPLEX CONTROLLER
IMPELLER	ENGINEERED THERMOPLASTIC
SOLIDS HANDLING SIZE	2"
PAINT	POWDER COAT
MAX LIQUID TEMP	60°C / 140°F INTERMITTENT
THERMAL OVERLOAD	105°C / 221°F
POWER CORD TYPE	SJTW
MOTOR HOUSING	CAST IRON
VOLUTE	CAST IRON
SHAFT	STAINLESS STEEL
HARDWARE	STAINLESS STEEL
O-RINGS	BUNA-N
MECHANICAL SEAL	CARBON CERAMIC

## Pro680-Series Specifications

---

See individual pump specifications for more details on the pumps.

### 1.01 WARRANTY

Standard limited warranty shall be 3 years.