

SPECIFICATIONS

FIGURE 7897 STRUT ACCESSORIES

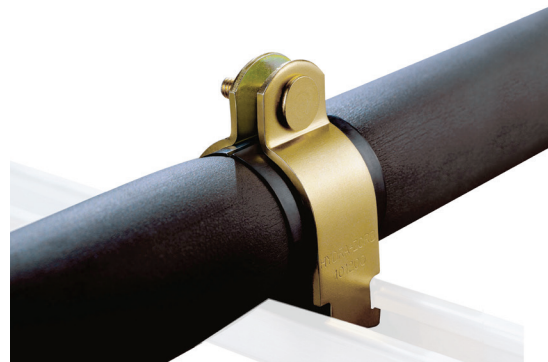


INSULATION COUPLING

For use with elastomeric insulation

FEATURES

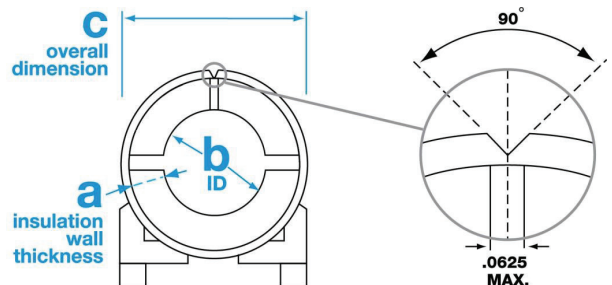
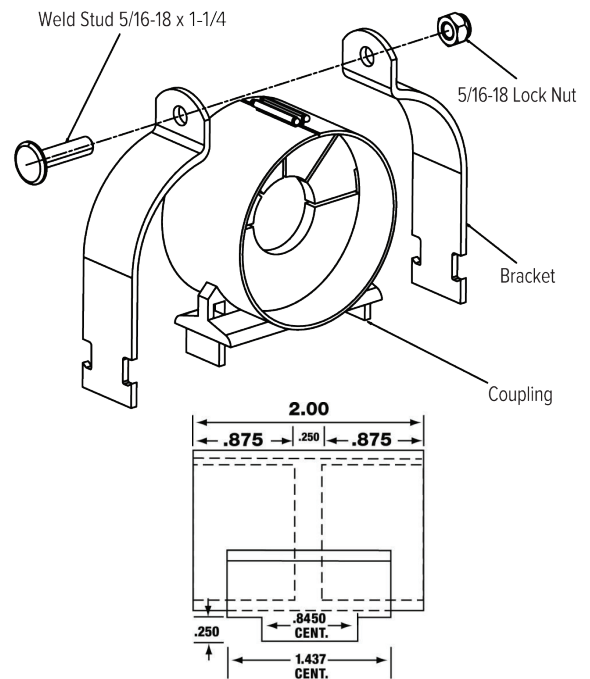
- Made in the USA
- UL Classified 2043 (25/50) for use in plenums and air handling systems
- Molded with high-strength thermoplastic olefin (TPO)
- UV Approved
- ANSI/MSS SP-58 Type 61 Listed
- Superior vapor barrier at suspension points
- Eliminate shock and vibration
- Three times faster installation of closed-cell or elastomeric insulation than traditional methods
- Dramatically improved finished appearance of insulated tubing
- All metal components have a trivalent (non-hex) plating
- Available in 304 (7897SS) and 316 (7897S6) stainless steel
- Welded stud
- For use with strut mounted clamps
- Available for 1/4" to 4-1/8" O.D. tube
- Insulation wall thickness sizes include: 3/8", 1/2", 3/4", 1" and 1-1/2"
- Temperature rating: -60°F to +225°F



MADE IN THE
USA

RECOMMENDATIONS

- Coupling spacing should be no more than 60 diameters.
- Install clamps as close as possible to each side of bend to prevent movement.
- Overwrap of coupling with insulation is not required.
- Acceptable for horizontal, vertical and inverted installations



Strut Mounted Coupling for 3/8" Wall Insulation			
Catalog Number	Insulation Wall Thickness (a)	Tube OD (b)	Overall Dimension (c)
FNW7897C0025	3/8"	1/4" OD	1.12"
FNW7897C0037	3/8"	3/8" OD	1.25"
FNW7897C0050	3/8"	1/2" OD	1.37"
FNW7897C0062	3/8"	5/8" OD	1.50"
FNW7897C0075	3/8"	3/4" OD	1.62"
FNW7897C0087	3/8"	7/8" OD	1.75"
FNW7897C0100	3/8"	1" OD	1.87"
FNW7897C0112	3/8"	1-1/8" OD	2.00"
FNW7897C0137	3/8"	1-3/8" OD	2.25"
FNW7897C0162	3/8"	1-5/8" OD	2.50"
FNW7897C0212	3/8"	2-1/8" OD	3.00"

FIGURE 7897
STRUT ACCESSORIES



INSULATION COUPLING

Strut Mounted Coupling for 1/2" Wall Insulation

Catalog Number	Insulation Wall Thickness (a)	Tube OD (b)	Overall Dimension (c)	Bolt	Bolt Torque (ft-lb)	Load 1 (lbs)	Load 2 (lbs)	Load 3 (lbs)
FNW7897D0025	1/2"	1/4" OD	1.37"	-	-	-	-	-
FNW7897D0037	1/2"	3/8" OD	1.50"	-	-	-	-	-
FNW7897D0050	1/2"	1/2" OD	1.62"	-	-	-	-	-
FNW7897D0062	1/2"	5/8" OD	1.75"	-	-	-	-	-
FNW7897D0075	1/2"	3/4" OD	1.87"	-	-	-	-	-
FNW7897D0087	1/2"	7/8" OD	2.00"	5/16"	11	230	75	50
FNW7897D0100	1/2"	1" OD	2.12"	5/16"	11	360	80	55
FNW7897D0112	1/2"	1-1/8" OD	2.25"	5/16"	11	490	90	60
FNW7897D0137	1/2"	1-3/8" OD	2.50"	5/16"	11	625	95	65
FNW7897D0162	1/2"	1-5/8" OD	2.75"	3/8"	20	675	120	85
FNW7897D0212	1/2"	2-1/8" OD	3.25"	3/8"	20	730	140	100
FNW7897D0262	1/2"	2-5/8" OD	3.75"	3/8"	20	785	170	120
FNW7897D0312	1/2"	3-1/8" OD	4.25"	3/8"	20	840	190	130
FNW7897D0362	1/2"	3-5/8" OD	4.75"	-	-	-	-	-
FNW7897D0412	1/2"	4-1/8" OD	5.25"	3/8"	20	895	215	145

Strut Mounted Coupling for 3/4" Wall Insulation

Catalog Number	Insulation Wall Thickness (a)	Tube OD (b)	Overall Dimension (c)	Bolt	Bolt Torque (ft-lb)	Load 1 (lbs)	Load 2 (lbs)	Load 3 (lbs)
FNW7897F0025	3/4"	1/4" OD	1.87"	-	-	-	-	-
FNW7897F0037	3/4"	3/8" OD	2.00"	-	-	-	-	-
FNW7897F0050	3/4"	1/2" OD	2.12"	-	-	-	-	-
FNW7897F0062	3/4"	5/8" OD	2.25"	-	-	-	-	-
FNW7897F0075	3/4"	3/4" OD	2.37"	-	-	-	-	-
FNW7897F0087	3/4"	7/8" OD	2.50"	5/16"	11	245	90	50
FNW7897F0112	3/4"	1-1/8" OD	2.75"	5/16"	11	430	105	55
FNW7897F0137	3/4"	1-3/8" OD	3.00"	5/16"	11	525	115	60
FNW7897F0162	3/4"	1-5/8" OD	3.25"	3/8"	20	600	140	75
FNW7897F0212	3/4"	2-1/8" OD	3.75"	3/8"	20	675	160	85
FNW7897F0262	3/4"	2-5/8" OD	4.25"	3/8"	20	750	185	100
FNW7897F0312	3/4"	3-1/8" OD	4.75"	3/8"	20	825	210	115
FNW7897F0362	3/4"	3-5/8" OD	5.25"	-	-	-	-	-
FNW7897F0412	3/4"	4-1/8" OD	5.75"	3/8"	20	900	235	130

FIGURE 7897
STRUT ACCESSORIES



INSULATION COUPLING

Strut Mounted Coupling for 1" Wall Insulation

Catalog Number	Insulation Wall Thickness (a)	Tube OD (b)	Overall Dimension (c)	Bolt	Bolt Torque (ft-lb)	Load 1 (lbs)	Load 2 (lbs)	Load 3 (lbs)
FNW7897G0025	1"	1/4" OD	2.37"	-	-	-	-	-
FNW7897G0031	1"	5/16" OD	2.43"	-	-	-	-	-
FNW7897G0037	1"	3/8" OD	2.50"	-	-	-	-	-
FNW7897G0050	1"	1/2" OD	2.62"	-	-	-	-	-
FNW7897G0062	1"	5/8" OD	2.75"	-	-	-	-	-
FNW7897G0075	1"	3/4" OD	2.87"	-	-	-	-	-
FNW7897G0087	1"	7/8" OD	3.00"	5/16"	11	265	105	45
FNW7897G0112	1"	1-1/8" OD	3.25"	5/16"	11	370	125	55
FNW7897G0137	1"	1-3/8" OD	3.50"	5/16"	11	425	135	60
FNW7897G0162	1"	1-5/8" OD	3.75"	3/8"	20	555	160	70
FNW7897G0212	1"	2-1/8" OD	4.25"	3/8"	20	690	180	75
FNW7897G0262	1"	2-5/8" OD	4.75"	3/8"	20	820	205	85
FNW7897G0312	1"	3-1/8" OD	5.25"	3/8"	20	950	230	100
FNW7897G0362	1"	3-5/8" OD	5.75"	-	-	-	-	-
FNW7897G0412	1"	4-1/8" OD	6.25"	3/8"	20	1085	255	110

Strut Mounted Coupling for 1-1/2" Wall Insulation

Catalog Number	Insulation Wall Thickness (a)	Tube OD (b)	Overall Dimension (c)	Bolt	Bolt Torque (ft-lb)	Load 1 (lbs)	Load 2 (lbs)	Load 3 (lbs)
FNW7897J0031	1-1/2"	5/16" OD	3.43"	-	-	-	-	-
FNW7897J0037	1-1/2"	3/8" OD	3.50"	-	-	-	-	-
FNW7897J0050	1-1/2"	1/2" OD	3.62"	-	-	-	-	-
FNW7897J0062	1-1/2"	5/8" OD	3.75"	-	-	-	-	-
FNW7897J0087	1-1/2"	7/8" OD	4.00"	5/16"	11	85	90	60
FNW7897J0112	1-1/2"	1-1/8" OD	4.25"	5/16"	11	180	150	100
FNW7897J0137	1-1/2"	1-3/8" OD	4.50"	5/16"	11	275	210	135
FNW7897J0162	1-1/2"	1-5/8" OD	4.75"	3/8"	20	370	270	175
FNW7897J0212	1-1/2"	2-1/8" OD	5.25"	3/8"	20	420	230	150
FNW7897J0262	1-1/2"	2-5/8" OD	5.75"	3/8"	20	470	190	125
FNW7897J0312	1-1/2"	3-1/8" OD	6.25"	3/8"	20	525	155	100
FNW7897J0412	1-1/2"	4-1/8" OD	7.25"	-	-	-	-	-