



FEATURES

- Energy Savings of up to 90%
- Lumen Maintenance over 70% @ 50,000+ Hours
- No UV/IR Radiation, No Toxic Mercury
- Aluminum Construction in Black Finish
- Die Formed Aluminum
- Replaces 60W Incandescent

OPTICS

- Clear Glass

APPLICATIONS

- Outdoor Wall

CERTIFICATIONS

- UL/cUL Listed
- Energy Star
- Lighting Facts

SPECIFICATIONS

Part Number: **LED7002-05**

Limited Manufacturer Warranty: 3 Years

Kelvin Temperature (CCT): 3000K

Wattage: 6 W

Lumens: 460 lm

Efficacy: 76.67 lm/w

CRI: 70

Dimmable: No

Input Voltage: DC 120V

Certifications: UL Listed

DLC Listed: No

Average Hour Life: 50,000 hrs

Max. Ambient Temperature: 45°C

Min. Ambient Temperature: -20°C

Power Factor: >0.9

THD: <20%

TECHNICAL

Weight: 1.59 lbs

Length: 5-3/4"

Product Height: 8.-3/8"

Product Width: 4-5/8"

LED Beam Angel: 120

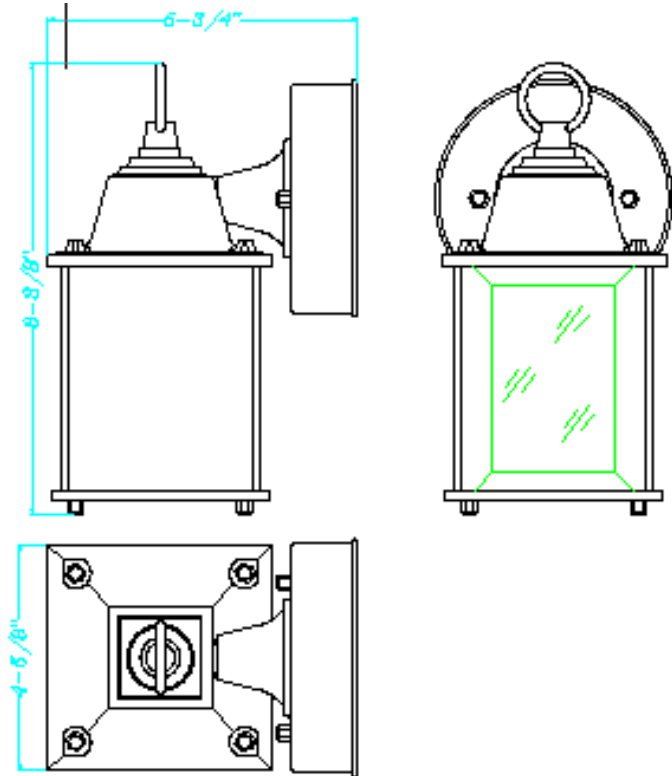
LED Type: Integrated LED Array





LINE DRAWINGS

LIGHTING FACTS



Cordelia Lighting

LED lighting facts
A Program of the U.S. DOE

Light Output (Lumens)	460
Watts	6
Lumens per Watt (Efficacy)	76.67

Color Accuracy	70
Color Rendering Index (CRI)	

Light Color	3000 (Bright White)
Correlated Color Temperature (CCT)	

2700K 3000K 4500K 6500K

Warm White Bright White Daylight

All results are according to IESNA LM-79-2008: *Approved Method for the Electrical and Photometric Testing of Solid-State Lighting*. The U.S. Department of Energy (DOE) verifies product test data and results.

Visit www.lightingfacts.com for the *Label Reference Guide*.

Registration Number: ZMBK-PYEIBO (Revised)
 Model Number: LED7002-05
 Type: Luminaire - Decorative