



FEATURES

- Energy Savings of up to 86%
- Lumen Maintenance over 70% @ 50,000+ Hours
- No UV/IR Radiation, No Toxic Mercury
- Steel Clips in Brushed Nickel and Oil Rubbed Bronze Finish
- Die Formed of 22 Gauge Plated Steel
- Replaces 1 x 75W Incandescent

OPTICS

Alabaster-Style Glass

APPLICATIONS

- Hallways
- Lobbies
- Corridors

CERTIFICATIONS

- UL/cUL Listed
- Energy Star
- Lighting Facts

SPECIFICATIONS

Part Number: **LED15012A**

Limited Manufacturer Warranty: 3 Years

Kelvin Temperature (CCT): 3000K

Wattage: 9.84 W

Lumens: 851 lm

Efficacy: 86.48 lm/w

CRI: 80

Dimmable: No

Input Voltage: DC 120V

Certifications: UL Listed

DLC Listed: No

Average Hour Life: 50,000 hrs

Max. Ambient Temperature: 45°C

Min. Ambient Temperature: -20°C

Power Factor: >0.9

THD: <20%

TECHNICAL

Weight: 2.40 lbs

Length: 12"

Product Height: 6"

Product Width: 5-1/4"

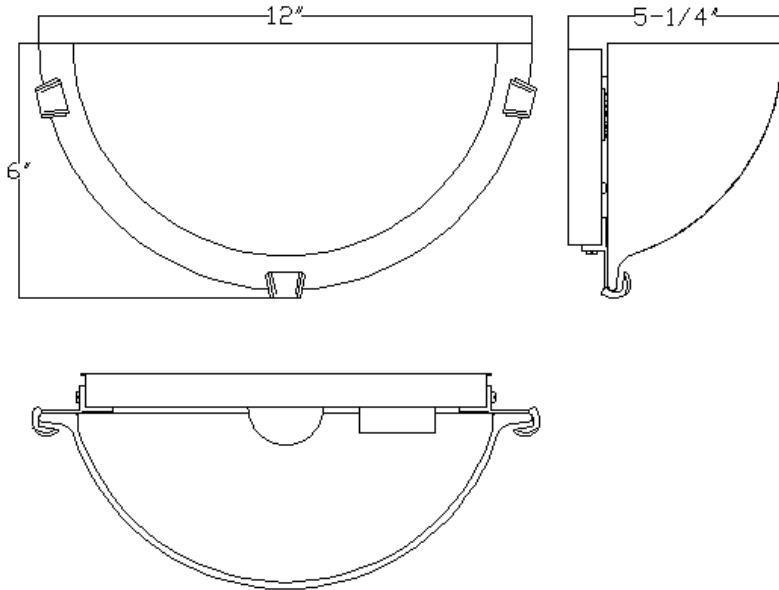
LED Beam Angel: 120

LED Type: Integrated LED Array





LINE DRAWINGS



LIGHTING FACTS

Cordelia Lighting

LED lighting facts
A Program of the U.S. DOE

Light Output (Lumens)	851
Watts	9.84
Lumens per Watt (Efficacy)	86.48
Color Accuracy	
Color Rendering Index (CRI)	80
Light Color	
Correlated Color Temperature (CCT)	3000 (Bright White)

2700K 3000K 4500K 6500K

Warm White Bright White Daylight

All results are according to IESNA LM-79-2008: Approved Method for the Electrical and Photometric Testing of Solid-State Lighting. The U.S. Department of Energy (DOE) verifies product test data and results.

Visit www.lightingfacts.com for the Label Reference Guide.

Registration Number: ZMBK-CRE683 (1/17/2017)
Model Number: LED15012A
Type: Luminaire - Decorative