

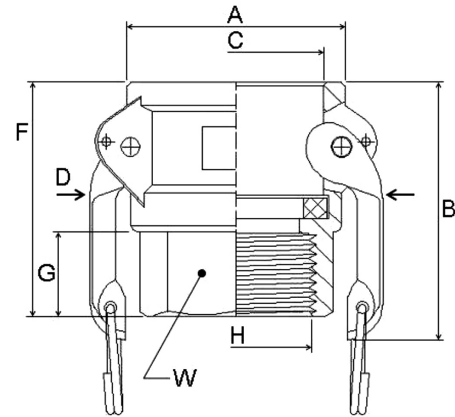
STAINLESS STEEL - FEMALE COUPLER X FEMALE NPT, TYPE - D



A-A-59326D COMPATIBLE | MATERIALS: CF8M MOD

STANDARD MATERIALS

Description	Material
Body	Stainless-Steel (#316)
Gasket	Buna-N (Standard Offer)
Arm	Stainless-Steel (#304)
Pin	Stainless-Steel
Pull-Ring	Stainless-Steel
Safety-Pin	Steel (Plated)



DIMENSIONS (INCHES)

Product Code	Size	A	B	C	D	*E*	F	G	H	W
FNWCGDSSD	1/2"	1.32	1.92	1.00	1.80	2.56	1.95	0.71	NPT	1.07
FNWCGDSSF	3/4"	1.61	1.94	1.28	2.10	2.62	2.01	0.75	NPT	1.34
FNWCGDSSG	1"	1.85	2.19	1.47	2.32	2.91	2.40	0.79	NPT	1.50
FNWCGDSSH	1-1/4"	2.26	3.09	1.81	3.25	3.47	2.66	0.91	NPT	1.89
FNWCGDSSJ	1-1/2"	2.58	3.12	2.13	3.56	3.54	2.64	0.87	NPT	2.20
FNWCGDSSK	2"	2.91	3.14	2.51	3.93	3.52	2.84	0.87	NPT	2.58
FNWCGDSSL	2-1/2"	3.54	3.33	3.01	4.43	3.52	3.28	1.14	NPT	3.13
FNWCGDSSM	3"	4.17	3.73	3.63	5.42	4.04	3.41	1.22	NPT	3.72
FNWCGDSSP	4"	5.45	3.74	4.73	6.52	4.75	3.50	1.31	NPT	4.82
FNWCGDSSU	6"	7.62	5.47	6.95	9.38	5.59	4.07	1.50	NPT	7.06

E dimension for Arm & Ring "stretched", shown as Type-B specification sheet.