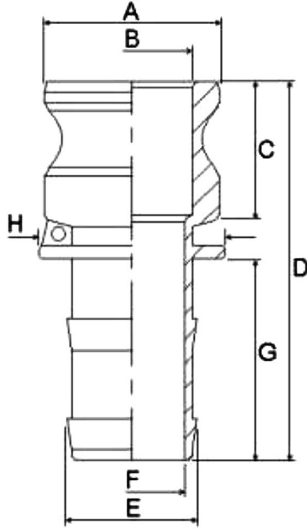


ALUMINUM - MALE ADAPTER X HOSE SHANK, TYPE - E



A-A-59326D COMPATIBLE | MATERIALS: ALUMINUM A356T6 MOD



DIMENSIONS (INCHES)

Product Code	Size	A	B	C	D	E	F	G	H
FNWCGEALF	3/4"	1.26	0.75	1.10	3.50	0.83	0.55	2.00	1.38
FNWCGEALG	1"	1.44	0.94	1.40	4.17	1.06	0.78	2.25	1.63
FNWCGEALH	1-1/4"	1.79	1.13	1.53	4.31	1.33	0.98	2.25	1.91
FNWCGEALJ	1-1/2"	2.10	1.46	1.63	4.51	1.57	1.26	2.40	2.26
FNWCGEALK	2"	2.48	1.81	1.89	5.72	2.07	1.60	3.37	2.60
FNWCGEALL	2-1/2"	2.98	2.28	1.96	5.71	2.61	2.19	3.21	3.23
FNWCGEALM	3"	3.60	2.87	1.97	6.44	3.06	2.57	4.00	3.60
FNWCGEALP	4"	4.71	3.90	2.08	6.89	4.11	3.95	4.25	4.69
FNWCGEALU	6"	6.93	5.98	2.31	9.37	6.09	5.62	6.36	7.25

H = Collar O.D.