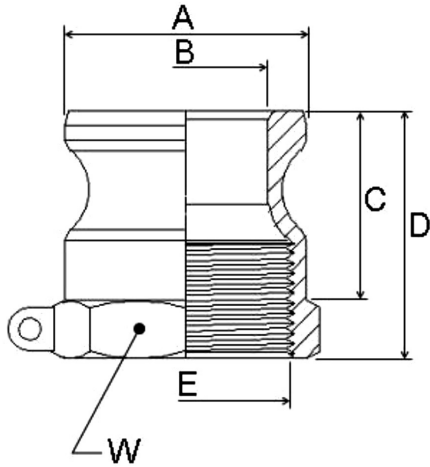


STAINLESS STEEL - MALE ADAPTER X FEMALE NPT, TYPE - A



A-A-59326D COMPATIBLE | MATERIALS: CF8M MOD



DIMENSIONS (INCHES)

Product Code	Size	A	B	C	D	E	W
FNWCGASSD *	1/2"	0.96	0.55	1.03	1.61	NPT	1.13
FNWCGASSF	3/4"	1.26	0.83	1.00	1.54	NPT	1.54
FNWCGASSG	1"	1.44	0.94	1.36	1.91	NPT	1.72
FNWCGASSH	1-1/4"	1.79	1.21	1.54	2.07	NPT	2.04
FNWCGASSJ	1-1/2"	2.10	1.52	1.61	2.15	NPT	2.38
FNWCGASSK	2"	2.48	1.81	1.88	2.50	NPT	2.77
FNWCGASSL	2-1/2"	2.98	2.28	1.95	2.68	NPT	3.13
FNWCGASSM	3"	3.60	2.88	2.02	2.76	NPT	3.85
FNWCGASSP	4"	4.71	3.87	2.07	2.94	NPT	4.99
FNWCGASSU	6"	6.93	5.91	2.20	3.12	NPT	7.39

*1/2" Type A does not have pull ring hole.

W = Wrenching (Flat-to-Flat)