

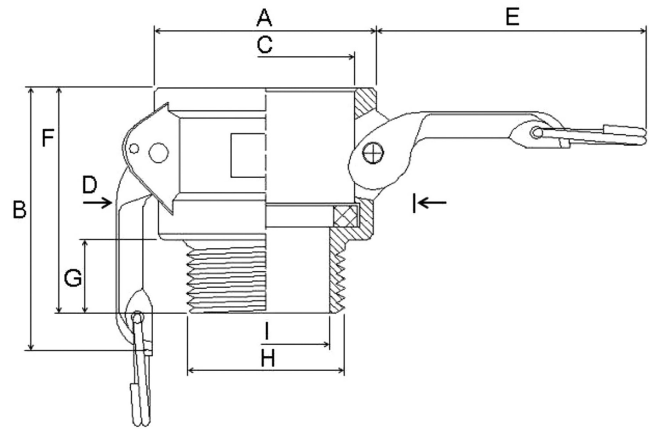
# ALUMINUM - FEMALE COUPLER X MALE NPT, TYPE - B



A-A-59326D COMPATIBLE | MATERIALS: ALUMINUM A356T6 MOD

## STANDARD MATERIALS

Description	Material
Body	Aluminum A356T6 MOD
Gasket	Buna-N (Standard Offer)
Arm	1/2"-1" SS, 1-1/4"-6" Brass
Pin	Steel (Plated)
Pull-Ring	Steel (Plated)
Safety-Pin	Steel (Plated)



## DIMENSIONS (INCHES)

Product Code	Size	A	B	C	D	*E*	F	G	H	I
FNWCGBALD	1/2"	1.32	1.92	0.98	1.80	2.56	1.84	0.63	NPT	0.53
FNWCGBALF	3/4"	1.61	1.94	1.28	2.10	2.62	2.17	0.75	NPT	0.75
FNWCGBALG	1"	1.86	2.19	1.47	2.40	2.91	2.47	0.75	NPT	0.97
FNWCGBALH	1-1/4"	2.28	3.09	1.81	3.25	3.47	2.71	0.96	NPT	1.25
FNWCGBALJ	1-1/2"	2.65	3.12	2.13	3.56	3.54	2.68	0.87	NPT	1.54
FNWCGBALK	2"	3.08	3.14	2.50	3.93	3.52	2.98	0.94	NPT	1.94
FNWCGBALL	2-1/2"	3.58	3.33	3.01	4.43	3.52	3.49	1.14	NPT	2.46
FNWCGBALM	3"	4.27	3.73	3.64	5.42	4.04	3.39	1.22	NPT	2.99
FNWCGBALP	4"	5.43	3.74	4.73	6.52	4.75	3.74	1.50	NPT	3.90
FNWCGBALU	6"	7.76	5.47	6.95	9.38	5.59	3.94	1.50	NPT	5.84

\*E\* dimension for Arm & Ring "stretched".