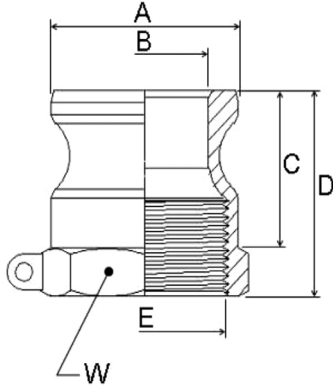


ALUMINUM - MALE ADAPTER X FEMALE NPT, TYPE - A



A-A-59326D COMPATIBLE | MATERIALS: ALUMINUM A356T6 MOD



DIMENSIONS (INCHES)

Product Code	Size	A	B	C	D	E	W
FNWCGAALD *	1/2"	0.96	0.53	1.06	1.61	NPT	1.00
FNWCGAALF	3/4"	1.26	0.75	1.10	1.64	NPT	1.38
FNWCGAALG	1"	1.44	0.94	1.40	1.97	NPT	1.61
FNWCGAALH	1-1/4"	1.79	1.13	1.58	2.19	NPT	1.89
FNWCGAALJ	1-1/2"	2.10	1.43	1.63	2.15	NPT	2.17
FNWCGAALK	2"	2.48	1.81	1.89	2.47	NPT	2.62
FNWCGAALL	2-1/2"	2.98	2.28	2.00	2.81	NPT	3.21
FNWCGAALM	3"	3.60	2.87	2.02	2.78	NPT	3.79
FNWCGAALP	4"	4.71	3.90	2.08	3.06	NPT	4.82
FNWCGAALS *	5"	5.72	4.90	2.00	2.80	NPT	5.98
FNWCGAALU	6"	6.93	5.98	2.31	3.38	NPT	7.91

*1/2" Type A does not have pull ring hole.

*5" Type A does not have pull ring hole.

W = Wrenching (Flat-to-Flat)