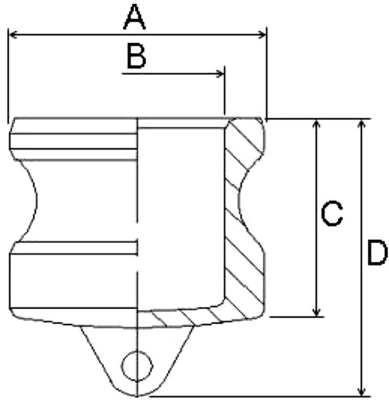


ALUMINUM - DUST PLUG, TYPE - DP



A-A-59326D COMPATIBLE | MATERIALS: ALUMINUM A356T6 MOD



DIMENSIONS (INCHES)

Product Code	Size	A	B	C	D
FNWCGDPALF	3/4"	1.26	0.75	1.19	1.50
FNWCGDPALG	1"	1.44	0.94	1.44	1.91
FNWCGDPALJ	1-1/2"	2.10	1.43	1.64	2.31
FNWCGDPALK	2"	2.48	1.81	1.89	2.60
FNWCGDPALL	2-1/2"	2.98	2.28	2.09	2.69
FNWCGDPALM	3"	3.60	2.87	2.20	2.80
FNWCGDPALP	4"	4.71	3.90	2.08	2.87
FNWCGDPALU	6"	6.93	5.98	2.31	3.76

For safety reasons, dust caps and dust plugs should not be used in pressure applications.