

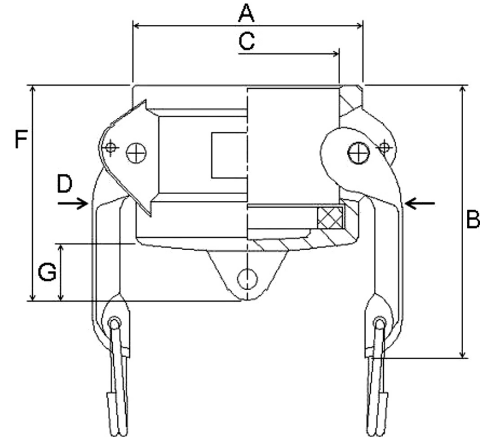
ALUMINUM - DUST CAP, TYPE - DC



A-A-59326D COMPATIBLE | MATERIALS: ALUMINUM A356T6 MOD

STANDARD MATERIALS

Description	Material
Body	Aluminum A356T6 MOD
Gasket	Buna-N (Standard Offer)
Arm	1/2"-1" SS, 1-1/4"-6" Brass
Pin	Steel (Plated)
Pull-Ring	Steel (Plated)
Safety-Pin	Steel (Plated)



DIMENSIONS (INCHES)

Product Code	Size	A	B	C	D	*E*	F	G
FNWCGDCALF	3/4"	1.61	1.94	1.28	2.10	2.62	1.65	0.31
FNWCGDCALG	1"	1.86	2.19	1.47	2.40	2.91	2.03	0.37
FNWCGDCALJ	1-1/2"	2.65	3.12	2.13	3.56	3.54	2.48	0.67
FNWCGDCALK	2"	3.08	3.14	2.50	3.93	3.52	2.78	0.73
FNWCGDCALL	2-1/2"	3.58	3.33	3.01	4.43	3.52	2.80	0.63
FNWCGDCALM	3"	4.27	3.73	3.64	5.42	4.04	2.89	0.73
FNWCGDCALP	4"	5.43	3.74	4.73	6.52	4.75	3.03	0.79
FNWCGDCALU	6"	7.76	5.47	6.95	9.38	5.59	3.86	1.46

E dimension for Arm & Ring "stretched", shown as Type-B specification sheet.
For safety reasons, dust caps and dust plugs should not be used in pressure applications.