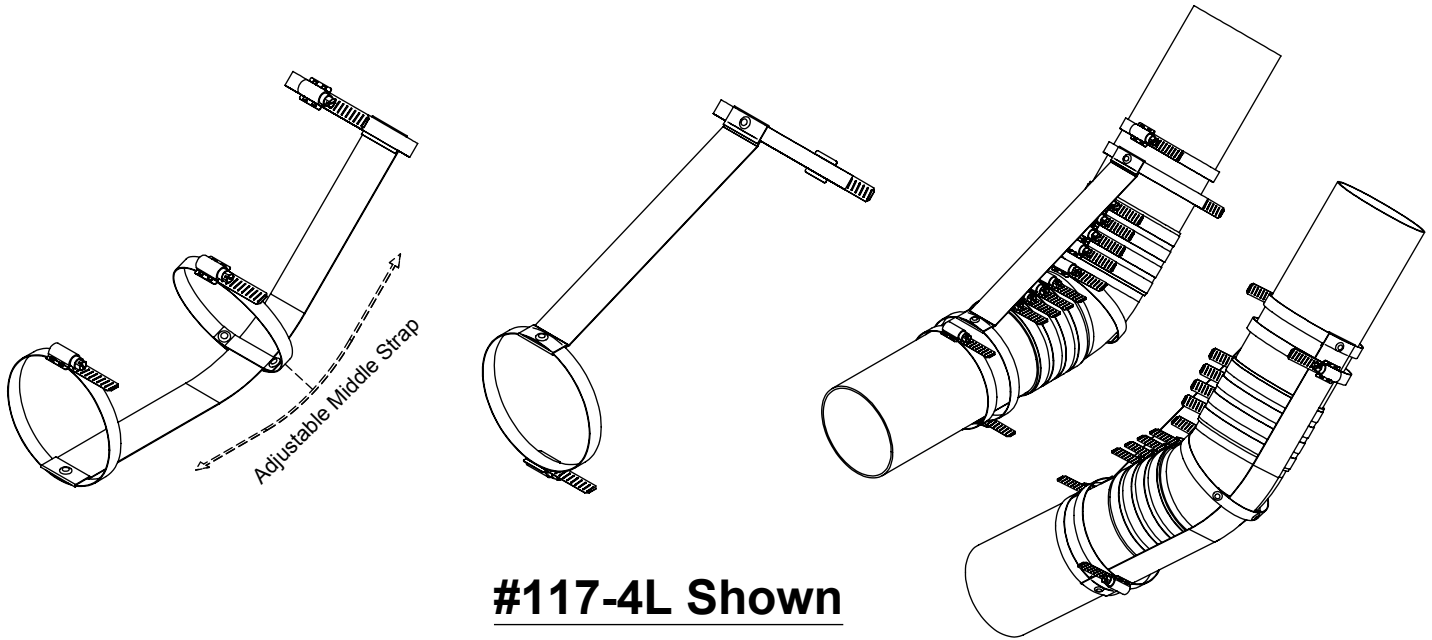


PRODUCT SPECIFICATION DRAWING
HOLDRITE® #117-3L through -8L Series No-Hub Fitting Restraints



THE HOLDRITE® #117-L Series No-Hub Fitting Restraints are designed to reinforce no-hub cast iron installations at 22-1/2°, 45° & 60° changes of direction in accordance with the installation instructions of U.S. cast iron soil pipe manufacturers, CISPI Designation 310-11 and the 2006 CISPI Installation Handbook. The #117-3L (2" & 3" size), #117-4L (4" size), #117-5L (5" size), #117-6L (6" size) & #117-8L (8" size) retain the 1/16 bend (22-1/2°), 1/8 bend (45°) or 1/6 bend (60°) elbow onto the adjoining piping. All stainless steel bands must be tightened to 60 in/lbs minimum. When installed correctly, these restraint brackets achieve a safe thrust pressure rating equal to 50' head of water pressure.

NOTE:

While these restraint kits aid in compliance with the 2006 CISPI Handbook, they are not intended to suggest that no-hub pipe and fittings should be subjected to pressures in excess of the pipe manufacturers' recommendations.

Product Information:

- Material:
 - Strap: 24GA, CRS, galvanized
 - Bands: Stainless steel body, band & screw
- Torque: 60 in/lbs. minimum on band
- Patent pending
- Thrust force restraint test data available upon request
- Refer to installation instructions at www.holdrite.com

Product Submittal	
Job Name:	
Date:	
Part Number:	Qty:
Architect / Owner:	
Contractor:	
Notes:	

