

# JP3036DL/TL/SL

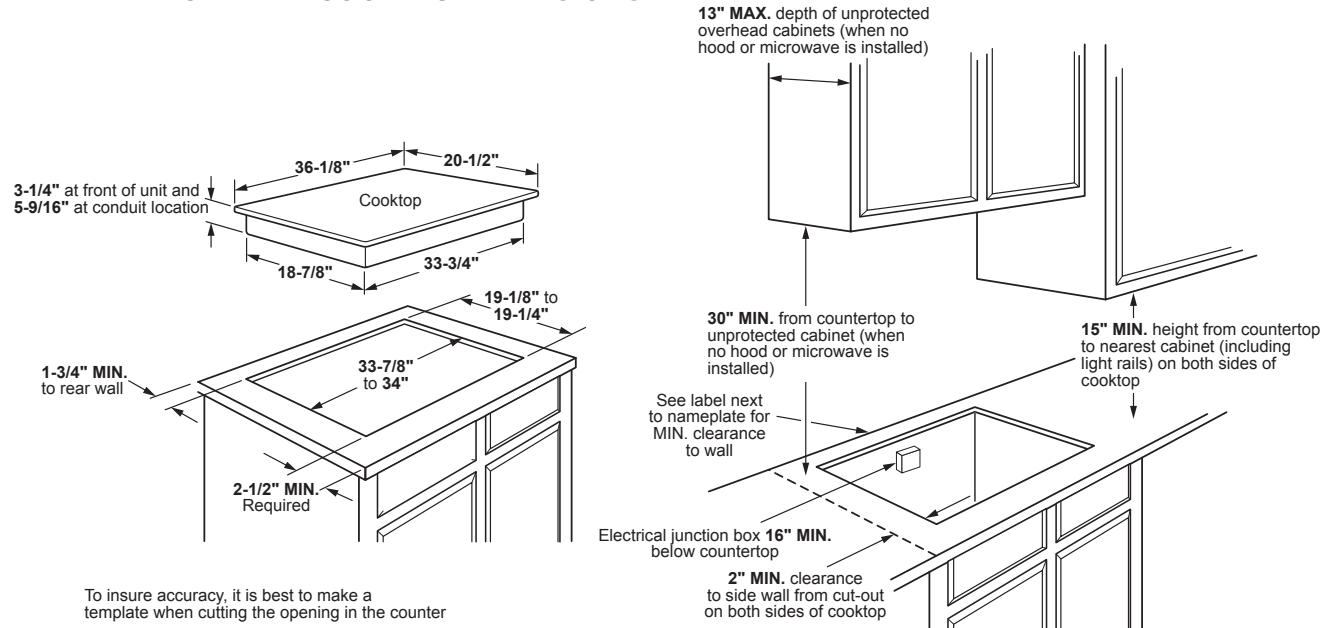
## GE Appliances 36" Built-In Knob Control Electric Cooktop

### DIMENSIONS AND INSTALLATION INFORMATION (IN INCHES)

**IMPORTANT:** Requires a 5" free area between the bottom of the cooktop to any combustible material, i.e., shelving. Free area not required when installing wall oven underneath cooktop. Refer to installation instructions. Requires a 15" minimum from cooktop to adjacent overhead cabinets. Units are furnished with a 48" flexible armored cable.

**NOTE:** 36" Ribbon cooktops are approved for use over select GE 30" Single Wall Ovens and Warming Drawers. Refer to cooktop and wall oven/warming drawer installation instructions packed with product for current dimensional data. If installed with a GE Telescopic Downdraft System, consult both the cooktop and downdraft installation instructions packed with product before installing. Cooktop gas/electric supply may need to be re-routed to install downdraft. The countertop cutout requires 23-1/2" minimum flat countertop surface and 25" minimum total countertop depth. In addition, other clearances to front edge of the countertop must be considered. **Before installing, consult installation instructions packed with product for current dimensional data.**

### APPROXIMATE COOKING DIMENSIONS



<b>VOLTAGE (60HZ AC)</b>	240V	208V
<b>CONNECTED LOAD (MAX.)</b>	9.0kW	7.1kW
<b>CURRENT DRAW (MAX.)</b>	37.5 Amps	34.3 Amps
<b>RECOMMENDED CIRCUIT BREAKER<sup>†</sup></b>	40 Amps	40 Amps

<sup>†</sup>**NOTE:** Check local codes for required breaker size.



For answers to your Monogram, GE Café™ Series, GE Profile™ Series or GE Appliances product questions, visit our website at [geappliances.com](http://geappliances.com) or call GE Answer Center® Service, 800.626.2000.



Specification Revised 1/17

# JP3036DL/TL/SL

## *GE Appliances 36" Built-In Knob Control Electric Cooktop*

### **FEATURES AND BENEFITS**

Five radiant cooking elements - Cook foods quickly and evenly on this sleek, glass surface

12"/9" dual element - Use different pan sizes on this single, 2,700-watt flexible element

8" Power Boil element - Get rapid heat from this powerful 2,500-watt element

Fifth element warming zone - Provides low-heat capability for foods

Melt setting - Gently melt delicate foods without burning or scorching

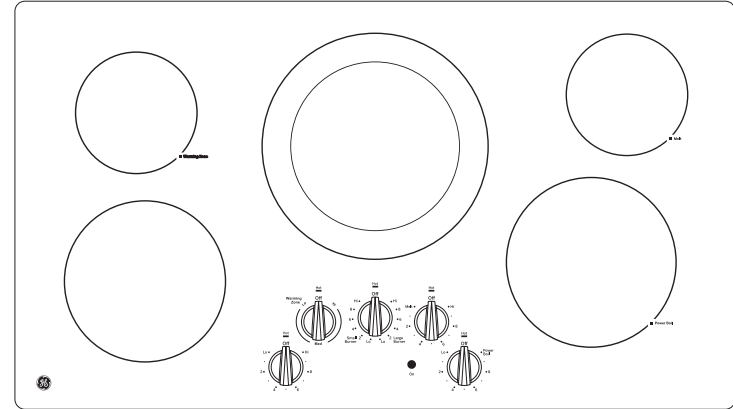
Hot surface indicator lights - Know when elements are too hot to touch with a quick glance

Cooktop "On" indicator light - A light lets you know when an element is active

Model JP3036DLBB - Black on black

Model JP3036TLWW - True white

Model JP3036SLSS - Stainless steel



### **GUARANTEED FIT**

Replacing a similar cooktop from GE or another brand? GE cooktops are guaranteed for an exact fit to make replacement easy

Visit [geappliances.com](http://geappliances.com) for more info

