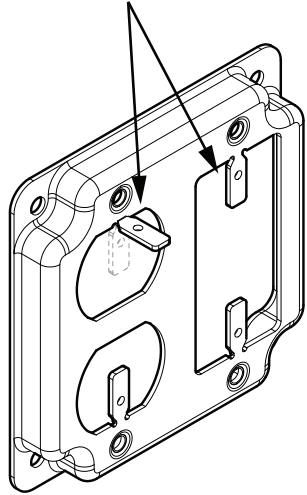
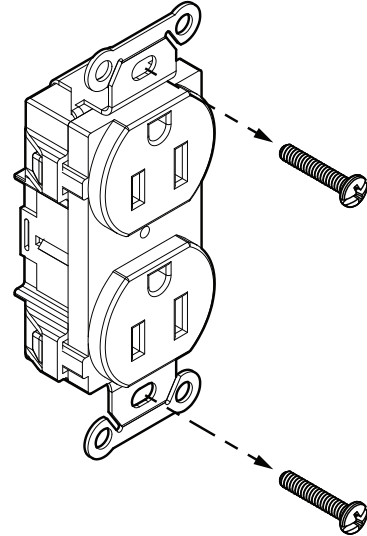


# Instructions for Assembling RACO® Crushed Corner Covers

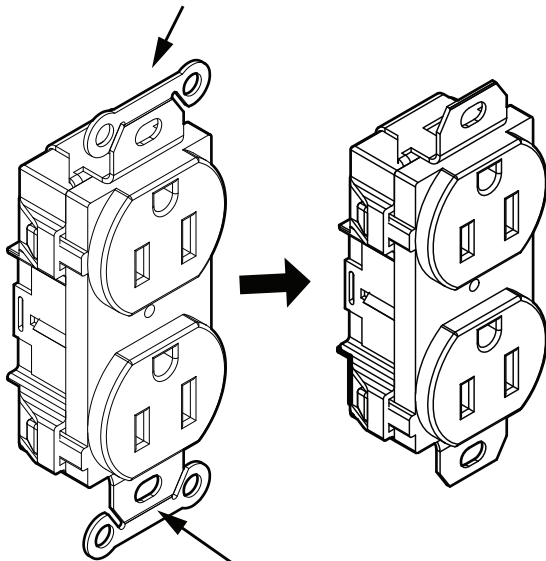
**STEP 1.** If your cover includes the threaded break off tabs, remove them with a pliers.



**STEP 2.** Remove and retain the mounting screws included with the device. These screws will be used to secure the device to the cover.



**STEP 3.** Prepare the device for mounting by removing the ears from the mounting strap or yoke by bending back and forth a few times at the perforation. For most receptacle also remove the ends of the strap at the perforation.



**NOTE:** If you don't see the perforation it might be necessary to snip the pieces off with a cutting tool. Avoid removing too much strap to maintain the integrity of the device mounting holes.

**STEP 4.** Now wire the device or devices per manufacturer instructions.

**STEP 5.** Secure the device to the cover using the device mounting screws that come with the cover or device. The threaded tabs wedge against the edge of the cover allowing for a tight connection without holding a nut.

