

SPLIT-SYSTEM HEAT PUMP PCA-A·KA7

INSTALLATION MANUAL

For safe and correct use, read this manual and the outdoor unit installation manual thoroughly before installing the air-conditioner unit.

FOR INSTALLER

English

MANUEL D'INSTALLATION

Avant d'installer le climatiseur, lire attentivement ce manuel, ainsi que le manuel d'installation de l'appareil extérieur pour une utilisation sûre et correcte.

POUR L'INSTALLATEUR

Français

MANUAL DE INSTALACIÓN

Para un uso seguro y correcto, lea detalladamente este manual de instalación antes de montar la unidad de aire acondicionado.

PARA EL INSTALADOR

Español

Contents

1. Safety precautions.....	2	5. Drainage piping work.....	6
2. Installation location.....	3	6. Electrical work.....	6
3. Installing the indoor unit.....	3	7. Test run.....	10
4. Installing the refrigerant piping.....	5	8. Easy maintenance function.....	12

1. Safety precautions

- ▶ Before installing the unit, make sure you read all the “Safety precautions”.
- ▶ Please report to your supply authority or obtain their consent before connecting this equipment to the power supply system.

⚠ Warning:
Describes precautions that must be observed to prevent danger of injury or death to the user.

⚠ Caution:
Describes precautions that must be observed to prevent damage to the unit.

- ⚠ Warning:**
- Ask a dealer or an authorized technician to install the unit.
 - For installation work, follow the instructions in the Installation Manual and use tools and pipe components specifically made for use with refrigerant specified in the outdoor unit installation manual.
 - The unit must be installed according to the instructions in order to minimize the risk of damage from earthquakes, typhoons, or strong winds. An incorrectly installed unit may fall down and cause damage or injuries.
 - The unit must be securely installed on a structure that can sustain its weight.
 - If the air conditioner is installed in a small room, measures must be taken to prevent the refrigerant concentration in the room from exceeding the safety limit in the event of refrigerant leakage. Should the refrigerant leak and cause the concentration limit to be exceeded, hazards due to lack of oxygen in the room may result.
 - Ventilate the room if refrigerant leaks during operation. If refrigerant comes into contact with a flame, poisonous gases will be released.
 - All electric work must be performed by a qualified technician according to local regulations and the instructions given in this manual.
 - Use only specified cables for wiring.
 - The terminal block cover panel of the unit must be firmly attached.

After installation work has been completed, explain the “Safety Precautions,” use, and maintenance of the unit to the customer according to the information in the Operation Manual and perform the test run to ensure normal operation. Both the Installation Manual and Operation Manual must be given to the user for keeping. These manuals must be passed on to subsequent users.

⚡ : Indicates a part which must be grounded.

⚠ Warning:
Carefully read the labels affixed to the main unit.

- Use only accessories authorized by Mitsubishi Electric and ask a dealer or an authorized technician to install them.
- The user should never attempt to repair the unit or transfer it to another location.
- After installation has been completed, check for refrigerant leaks. If refrigerant leaks into the room and comes into contact with the flame of a heater or portable cooking range, poisonous gases will be released.
- When installing or relocating, or servicing the air conditioner, use only the specified refrigerant (R410A) to charge the refrigerant lines. Do not mix it with any other refrigerant and do not allow air to remain in the lines. If air is mixed with the refrigerant, then it can be the cause of abnormal high pressure in the refrigerant line, and may result in an explosion and other hazards.
The use of any refrigerant other than that specified for the system will cause mechanical failure or system malfunction or unit breakdown. In the worst case, this could lead to a serious impediment to securing product safety.

1.1. Before installation (Environment)

- ⚠ Caution:**
- Do not use the unit in an unusual environment. If the air conditioner is installed in areas exposed to steam, volatile oil (including machine oil), or sulfuric gas, areas exposed to high salt content such as the seaside, the performance can be significantly reduced and the internal parts can be damaged.
 - Do not install the unit where combustible gases may leak, be produced, flow, or accumulate. If combustible gas accumulates around the unit, fire or explosion may result.
 - Do not keep food, plants, caged pets, artwork, or precision instruments in the direct airflow of the indoor unit or too close to the unit, as these items can be damaged by temperature changes or dripping water.

- When the room humidity exceeds 80% or when the drainpipe is clogged, water may drip from the indoor unit. Do not install the indoor unit where such dripping can cause damage.
- When installing the unit in a hospital or communications office, be prepared for noise and electronic interference. Inverters, home appliances, high-frequency medical equipment, and radio communications equipment can cause the air conditioner to malfunction or breakdown. The air conditioner may also affect medical equipment, disturbing medical care, and communications equipment, harming the screen display quality.

1.2. Before installation or relocation

- ⚠ Caution:**
- Be extremely careful when transporting the units. Two or more persons are needed to handle the unit, as it weighs 20 kg, 44 lbs or more. Do not grasp the packaging bands. Wear protective gloves as you can injure your hands on the fins or other parts.
 - Be sure to safely dispose of the packaging materials. Packaging materials, such as nails and other metal or wooden parts may cause stabs or other injuries.
 - Thermal insulation of the refrigerant pipe is necessary to prevent condensation.

- If the refrigerant pipe is not properly insulated, condensation will be formed.
- Place thermal insulation on the pipes to prevent condensation. If the drainpipe is installed incorrectly, water leakage and damage to the ceiling, floor, furniture, or other possessions may result.
- Do not clean the air conditioner unit with water. Electric shock may result.
- Tighten all flare nuts to specification using a torque wrench. If tightened too much, the flare nut can break after an extended period.

1.3. Before electric work

- ⚠ Caution:**
- Be sure to install circuit breakers. If not installed, electric shock may result.
 - For the power lines, use standard cables of sufficient capacity. Otherwise, a short circuit, overheating, or fire may result.
 - When installing the power lines, do not apply tension to the cables.
 - Be sure to ground the unit. If the unit is not properly grounded, electric shock may result.

- Use circuit breakers (ground fault interrupter, isolating switch (+B fuse), and molded case circuit breaker) with the specified capacity. If the circuit breaker capacity is larger than the specified capacity, breakdown or fire may result.

1.4. Before starting the test run

- ⚠ Caution:**
- Turn on the main power switch more than 12 hours before starting operation. Starting operation just after turning on the power switch can severely damage the internal parts.
 - Before starting operation, check that all panels, guards and other protective parts are correctly installed. Rotating, hot, or high voltage parts can cause injuries.

- Do not operate the air conditioner without the air filter set in place. If the air filter is not installed, dust may accumulate and breakdown may result.
- Do not touch any switch with wet hands. Electric shock may result.
- Do not touch the refrigerant pipes with bare hands during operation.
- After stopping operation, be sure to wait at least five minutes before turning off the main power switch. Otherwise, water leakage or breakdown may result.

2. Installation location

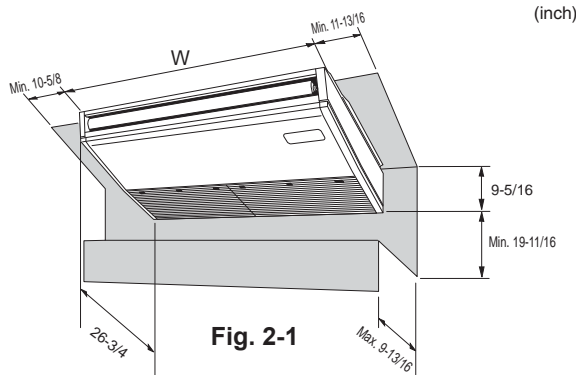


Fig. 2-1

2.1. Outline dimensions (Indoor unit) (Fig. 2-1)

Select a proper position allowing the following clearances for installation and maintenance.

Models	W (inch)
A24, 30	50-3/8
A36, 42	63

⚠ Warning:

Mount the indoor unit on a ceiling strong enough to withstand the weight of the unit.

2.2. Outline dimensions (Outdoor unit)

Refer to the outdoor unit installation manual.

3. Installing the indoor unit

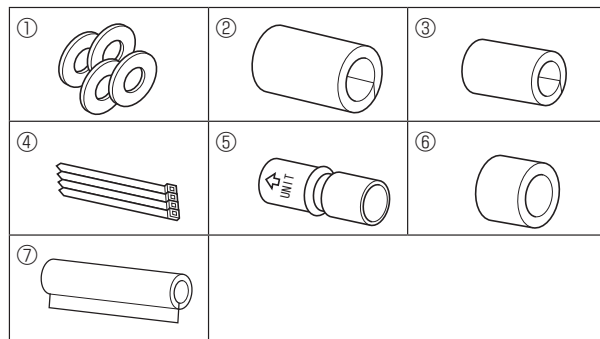


Fig. 3-1

3.1. Check the indoor unit accessories (Fig. 3-1)

The indoor unit should be supplied with the following accessories (contained in the inside of the intake grille).

	Accessory name	Q'ty
①	Washer	4 pcs
②	Pipe cover	1 pc Large size (For gas tubing)
③	Pipe cover	1 pc Small size (For liquid tubing)
④	Band	4 pcs
⑤	Joint socket	1 pc Marked with "UNIT"
⑥	Socket cover	1 pc
⑦	Drain tubing cover	1 pc

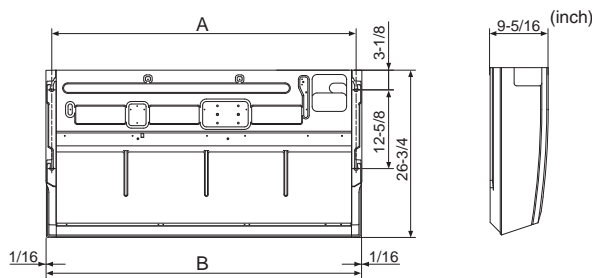


Fig. 3-2

3.2. Preparation for installation (Fig. 3-2)

3.2.1. Suspension bolt installing spacing

Models	A (inch)	B (inch)
A24,30	48-11/16	50-3/8
A36,42	61-5/16	63

3.2.2. Refrigerant and drain tubing location

- Ⓐ Front side outlet
- Ⓑ Left side outlet
- Ⓒ Right side outlet
- Ⓓ Independent piece (Removable)
- Ⓔ Right drain tubing
- Ⓕ Left drain tubing
- Ⓖ Gas tubing
- Ⓗ Liquid tubing
- Ⓘ Rubber plug
- Ⓚ with Joint socket

In case of the rear pipe arrangement, make sure to remove the shaded portions from the Ⓓ independent piece. Then put the Ⓓ independent piece back in initial position.

(The heat exchanger might be clogged because of dust)

3.2.3. Selection of suspension bolts and tubing positions (Fig. 3-3)

⚠ Caution:

Install the indoor unit at least 8 ft. (2.4 m) above floor or grade level. These appliances are not accessible to the general public.

Using the pattern paper provided for installation, select proper positions for suspension bolts and tubing and prepare relative holes.

- Ⓐ Pattern paper
- Ⓑ Suspension bolt hole
- Ⓒ Indoor unit width

Secure the suspension bolts or use angle stock braces or square timbers for bolt installation.

- Ⓓ Use inserts of 220-230 lbs. (100-105 kg) each.
- Ⓔ Use suspension bolts of W 3/8 or M10 in size.

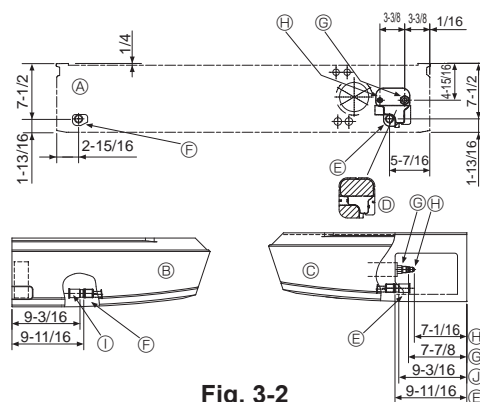


Fig. 3-3

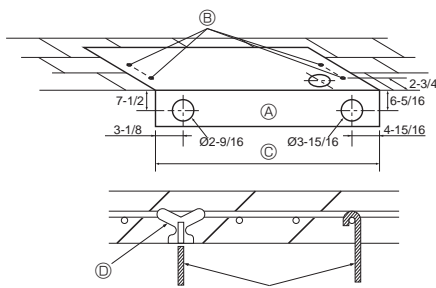


Fig. 3-3

3. Installing the indoor unit

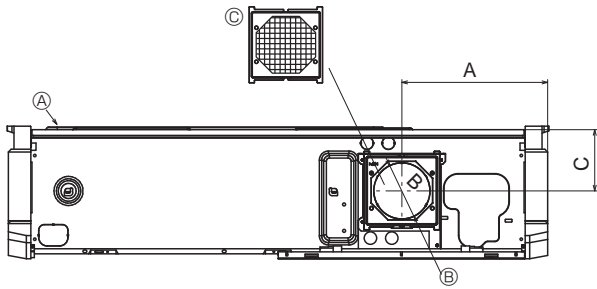


Fig. 3-4

3.2.4. Fresh air intake hole (Fig. 3-4)

At the time of installation, use the duct holes (knock out) located at the positions shown in following diagram, as and when required.

- Ⓐ Indoor unit
- Ⓑ Fresh air intake hole (knock out hole)
- Ⓒ Filter

in. (mm)		
A	B	C
10-3/16 (259.5)	∅ 3-15/16 (∅ 100)	4-5/16 (109)

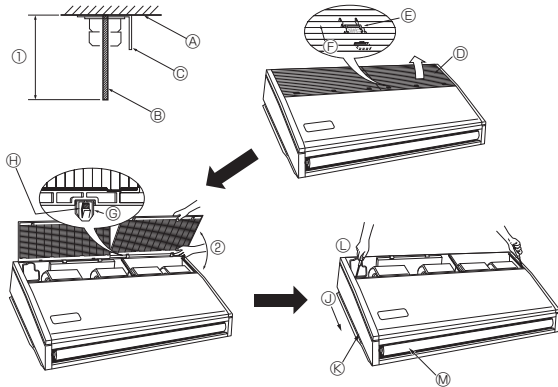


Fig. 3-5

3.2.5. Indoor unit preparation (Fig. 3-5)

- Install the suspending bolts. (Procure the W 3/8 or M10 bolts locally.)
Predetermine the length from the ceiling (Ⓚ within 3-15/16 in. (100 mm)).
Ⓐ Ceiling surface Ⓑ Suspending bolt Ⓒ Suspending bracket
- Remove the intake grille.
Slide the intake grille holding knobs (at 2 or 3 locations) backward to open the intake grille.
- Remove the side panel.
Remove the side panel holding screws (1 in each side, right and left) then slide the side panel forward for removal.
Ⓚ Intake grille Ⓛ Slide the side panel forward.
Ⓜ Intake grille holding knob Ⓨ Side panel
Ⓩ Slide ⓐ Remove the side panel holding screws.
ⓑ Hinge ⓓ Remove the protective vinyl of vane.
ⓔ Pushing the hinge, pull out the intake grille.
ⓕ Forcing open the intake grille or opening it to an angle of more than 120° may damage the hinges.

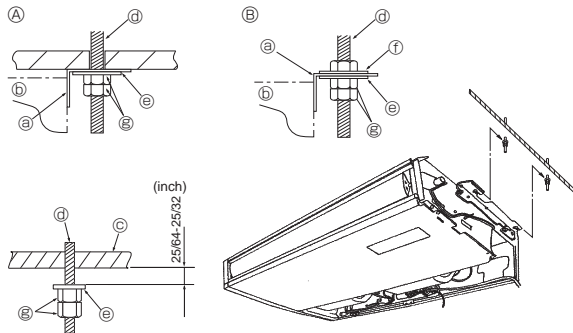


Fig. 3-6

3.3. Installing the indoor unit (Fig. 3-6)

Use a proper suspending method depending on the presence or absence of ceiling materials as follows.

- Ⓐ In the presence of ceiling materials
- Ⓑ In the absence of ceiling materials
- Ⓒ Ceiling
- Ⓓ Suspending bolt
- Ⓔ Suspending bracket
- Ⓚ Washer Ⓛ
- Ⓜ Unit
- Ⓨ Washer (Local procurement)
- Ⓩ Double nuts

1) Directly suspending the unit

Installing procedures

- Install the washer Ⓛ (supplied with the unit) and the nuts (to be locally procured).
- Set (hook) the unit through the suspending bolts.
- Tighten the nuts.

Check the unit installing condition.

- Check that the unit is horizontal between the right and left sides.
- Check that the front and the rear of suspending brackets are horizontal.

(To keep drainage, the unit is inclined to the suspending brackets. The unit slopes continuously downward from the front to the rear is the right installation position.)

2) Installing the suspending bracket first onto the ceiling (Fig. 3-7)

Installing procedures

- Remove the suspending brackets and U-shaped washers from the unit.
- Adjust the suspending bracket holding bolts on the unit.
- Attach the suspending brackets to the suspending bolts.
- Check that the suspending brackets are horizontal (front and rear/right and left).
- Set (hook) the unit to the suspending brackets.
- Tighten fixed bolts of the suspending brackets.

* Be sure to install the U-shaped washers.

- Ⓐ Suspending bracket holding bolt
- Ⓑ Unit
- Ⓒ U-shaped washer
- Ⓓ Suspending bolt
- Ⓚ Washer Ⓛ
- Ⓛ Double nuts

(inch)	
Ⓚ	
A24,30	47 - 5/16
A36,42	59 - 7/8

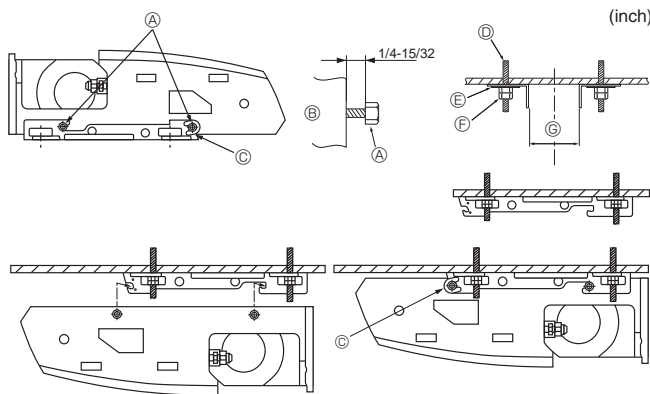


Fig. 3-7

4. Installing the refrigerant piping

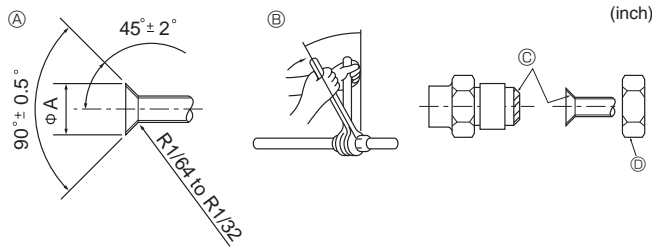


Fig. 4-1

Ⓐ Flare cutting dimensions in. (mm)

Copper pipe O.D.	Flare dimensions ø A dimensions
1/4" (ø6.35)	11/32-23/64 (8.7 - 9.1)
3/8" (ø9.52)	1/2-33/64 (12.8 - 13.2)
1/2" (ø12.7)	41/64-21/32 (16.2 - 16.6)
5/8" (ø15.88)	49/64-25/32 (19.3 - 19.7)
3/4" (ø19.05)	29/32-59/64 (22.9 - 23.3)

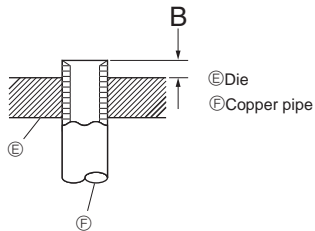


Fig. 4-2

in. (mm)

Copper pipe O.D.	B
	Flare tool for R410A Clutch type
1/4" (ø6.35)	0-1/64 (0 - 0.5)
3/8" (ø9.52)	0-1/64 (0 - 0.5)
1/2" (ø12.7)	0-1/64 (0 - 0.5)
5/8" (ø15.88)	0-1/64 (0 - 0.5)
3/4" (ø19.05)	0-1/64 (0 - 0.5)

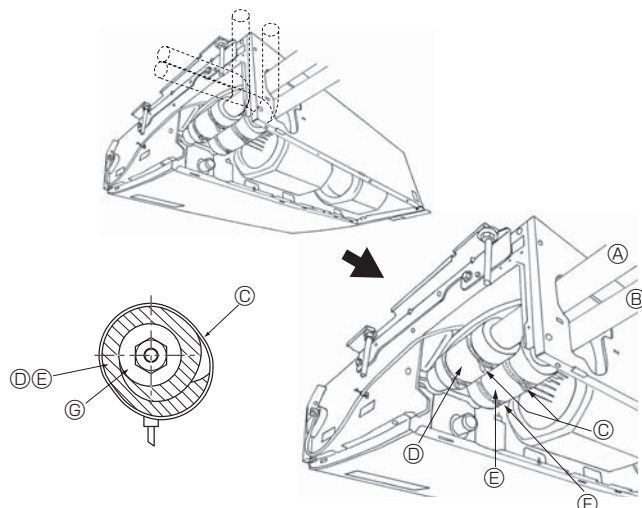


Fig. 4-3

4.1. Precautions

For devices that use R410A refrigerant

- Use ester oil, ether oil or alkylbenzene oil (small amount) as the refrigeration oil applied to the flared sections.
- Use C1220 copper phosphorus for copper and copper alloy seamless pipes, to connect the refrigerant pipes. Use refrigerant pipes with the thicknesses specified in the table below. Make sure the insides of the pipes are clean and do not contain any harmful contaminants such as sulfuric compounds, oxidants, debris, or dust.

⚠ Warning:

When installing or relocating, or servicing the air conditioner, use only the specified refrigerant (R410A) to charge the refrigerant lines. Do not mix it with any other refrigerant and do not allow air to remain in the lines. If air is mixed with the refrigerant, then it can be the cause of abnormal high pressure in the refrigerant line, and may result in an explosion and other hazards.

The use of any refrigerant other than that specified for the system will cause mechanical failure or system malfunction or unit breakdown. In the worst case, this could lead to a serious impediment to securing product safety.

in. (mm)

	A24, 30, 36, 42
Liquid pipe	3/8" (ø9.52) thickness 1/32" (0.8)
Gas pipe	5/8" (ø15.88) thickness 3/64" (1.0)

- Do not use pipes thinner than those specified above.

4.2. Connecting pipes (Fig. 4-1)

- When commercially available copper pipes are used, wrap liquid and gas pipes with commercially available insulation materials (heat-resistant to 212 °F (100 °C) or more, thickness of 1/2 in. (12 mm) or more).
- The indoor parts of the drain pipe should be wrapped with polyethylene foam insulation materials (specific gravity of 0.03, thickness of 23/64 in. (9 mm) or more).
- Apply thin layer of refrigerant oil to pipe and joint seating surface before tightening flare nut.
- Use 2 wrenches to tighten piping connections.
- Use refrigerant piping insulation provided to insulate indoor unit connections. Insulate carefully.

Ⓞ Flare nut tightening torque

Copper pipe O.D. (mm, inch)	Flare nut O.D. (mm, inch)	Tightening torque (N-m, ft.lbs)
ø6.35, 1/4	17, 43/64	14-18, 10-13
ø6.35, 1/4	22, 7/8	34-42, 25-30
ø9.52, 3/8	22, 7/8	34-42, 25-30
ø12.7, 1/2	26, 1-3/64	49-61, 35-44
ø12.7, 1/2	29, 1-9/64	68-82, 49-59
ø15.88, 5/8	29, 1-9/64	68-82, 49-59
ø15.88, 5/8	36, 1-27/64	100-120, 71-86
ø19.05, 3/4	36, 1-27/64	100-120, 71-86

Ⓞ Apply refrigerating machine oil over the entire flare seat surface.

Ⓞ Use correct flare nuts meeting the pipe size of the outdoor unit.

4.3. Indoor unit (Fig. 4-3)

Installing procedures

1. Slide the supplied pipe cover ② over the gas tubing until it is pressed against the sheet metal inside the unit.
2. Slide the provided pipe cover ③ over the liquid tubing until it is pressed against the sheet metal inside the unit.
3. Tighten the pipe covers ② and ③ at the both ends 3/4 in. (20 mm) with the supplied bands ④.

Ⓐ Gas tubing

Ⓔ Pipe cover ③

Ⓑ Liquid tubing

Ⓕ Press the pipe cover against the sheet metal.

Ⓒ Band ④

Ⓖ Refrigerant tubing heat insulating material

Ⓓ Pipe cover ②

4.4. For twin combination

Refer to the outdoor unit installation manual.

5. Drainage piping work

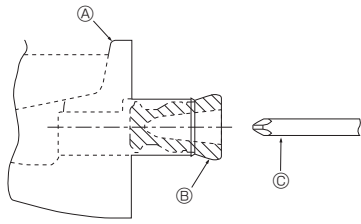


Fig. 5-1

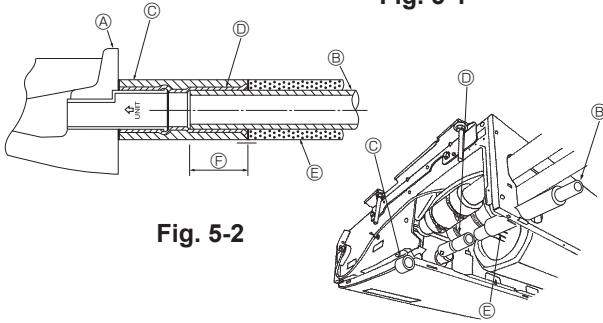


Fig. 5-2

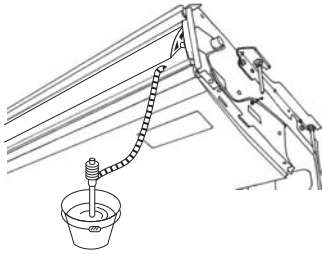


Fig. 5-3

- For left side tubing, be sure to insert the rubber plug into the right drain port. (Fig. 5-1)
- Use VP-20 (O.D. ø26 (1") PVC TUBE) for drain piping and provide 1/100 or more downward slope.
- After completion of work, check that correct drain is available from the outflow port of the drain tubing.

- Ⓐ Drain pan
- Ⓑ Plug
- Ⓒ Insert the driver etc.in the plug deeply.

Installing procedures (Fig. 5-2)

1. Attach the joint socket ⑤ supplied with the unit to the drain port on the unit with a vinyl chloride adhesive.
2. Fasten the socket cover ⑥ supplied with the unit to the joint socket ⑤.
3. Attach the field drain tubing (VP-20) to the joint socket ⑤ with a vinyl chloride adhesive.
4. Wrap the drain tubing cover ⑦ supplied with the unit. (Seam taping)

- Ⓐ Drain pan
- Ⓑ Drain tubing
- Ⓒ Socket cover ⑥
- Ⓓ Joint socket ⑤
- Ⓔ Drain tubing cover ⑦
- Ⓕ Insertion length 1-15/32 in. (37mm)

5. Check for correct drainage. (Fig. 5-3)

* Fill the drain pan with water of about 1/4 gal (1 L) from the air outlet.

6. Electrical work

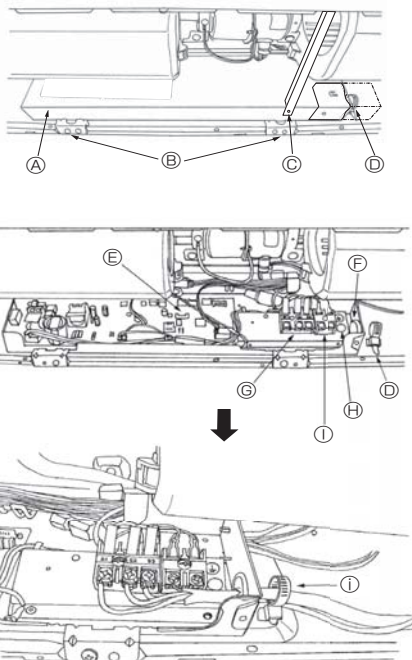


Fig. 6-1

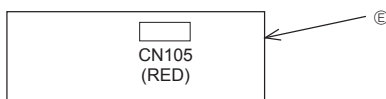


Fig. 6-2

6.1. Electric wiring

Wiring procedures

1. Remove the tapping screw ③ then remove the beam.
2. Remove the (2) tapping screws ② then remove the electric part cover ①.
3. <For wired remote controller>
4. Connect the electric wires securely to the corresponding terminals (Fig. 6-1)
4. Replace the removed parts.
5. Tie the electric wires with the local wiring clamp located in the right side of the electrical box.

- Ⓐ Cover
- Ⓑ Set screws (2 pcs)
- Ⓒ Set screws (Beam)
- Ⓓ Wiring clamp
- Ⓔ Indoor controller board
- Ⓕ Wire service entrance
- Ⓖ Terminal block for indoor and outdoor units connection
- Ⓗ Grounding cable connector
- Ⓘ Terminal block for wired remote controller
- Ⓣ Secure with the wiring clamp.

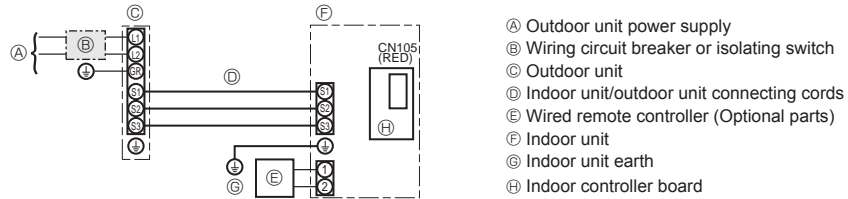
6. Electrical work

6.1.1. Indoor unit power supplied from outdoor unit

The following connection patterns are available.

The outdoor unit power supply patterns vary on models.

1:1 System



* Affix a label A that is included with the manuals near each wiring diagram for the indoor and outdoor units.

Indoor unit model		PCA-A24,30	PCA-A36, 42
Minimum circuit ampacity		1A	2A
Maximum rating of overcurrent protective device		15A	
Wiring Wire No. x size	Indoor unit-Outdoor unit *1	3 × AWG14 (polar)	
	Indoor unit earth	1 × Min. AWG14	
	Wired remote controller-Indoor unit *2	2 × AWG22 (Non-polar, unshielded)	
Circuit rating	Indoor unit-Outdoor unit S1-S2 *3	208/230 V AC	
	Indoor unit-Outdoor unit S2-S3 *3	24 V DC	
	Wired remote controller-Indoor unit *3	12 V DC	

*1. Max. 50 m, 165 ft

*2. Max. 500 m, 1640 ft (For two wired remote controllers: Max. 200 m, 656 ft)

*3. The figures are NOT always against the ground.

S3 terminal has 24 V DC against S2 terminal. However between S3 and S1, these terminals are not electrically insulated by the transformer or other device.

- Notes:**
1. Wiring size must comply with the applicable local and national code.
 2. Use copper supply wires.
 3. Use wires rated 600V or more for the power supply cables and the indoor unit/outdoor unit connecting cables.
 4. Install an earth longer than other cables.

6.2. Remote controller (Optional parts)

6.2.1. For wired remote controller

1) Two wired remote controllers setting

If two wired remote controllers are connected, set one to "Main" and the other to "Sub".

For setting procedures, refer to "Function selection of remote controller" in the operation manual for the indoor unit.

Note:

When connecting two remote controllers, be sure to use the same model of remote controller.

6. Electrical work

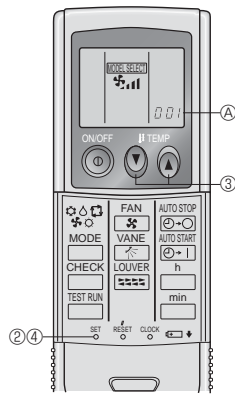


Fig. 6-3

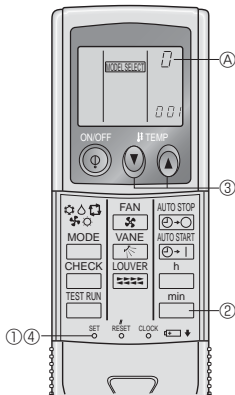


Fig. 6-4

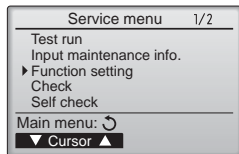


Fig. 6-5

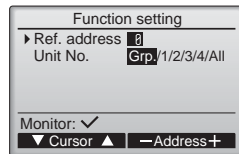


Fig. 6-6

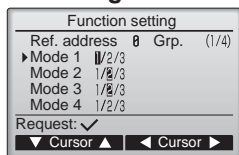


Fig. 6-7

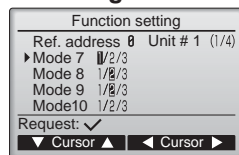


Fig. 6-8

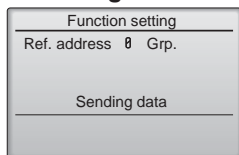


Fig. 6-9

6.2.2. For IR wireless remote controller

1) Installation area

- Area in which the IR wireless remote controller is not exposed to direct sunshine.
- Area in which there is no nearby heating source.
- Area in which the IR wireless remote controller is not exposed to cold (or hot) winds.
- Area in which the IR wireless remote controller can be operated easily.
- Area in which the IR wireless remote controller is beyond the reach of children.

2) Setting (Fig. 6-3)

- ① Insert batteries.
- ② Press the SET button with something sharp at the end. **MODEL SELECT** blinks and Model No. is lighted.
- ③ Press the temp \uparrow \downarrow buttons to set the Model No.
If you mistook the operation, press the ON/OFF ⏻ button and operate again from procedure ②.
- ④ Press the SET button with something sharp at the end. **MODEL SELECT** and Model No. are lighted for 3 seconds, then turned off.

Indoor	Outdoor	Ⓐ Model No.
PCA	PUZ	001
	PUY	033

3) Assigning a IR wireless remote controller to each unit

Each unit can be operated only by the assigned IR wireless remote controller. Make sure each pair of an indoor unit PC board and a IR wireless remote controller is assigned to the same pair No.

4) IR wireless remote controller pair number setting operation (Fig. 6-4)

- ① Press the SET button with something sharp at the end.
Start this operation from the status of IR wireless remote controller display turned off. **MODEL SELECT** blinks and Model No. is lighted.
- ② Press the min button twice continuously. Pair No. "0" blinks.
- ③ Press the temp \uparrow \downarrow buttons to set the pair number you want to set.
If you mistook the operation, press the ON/OFF ⏻ button and operate again from procedure ②.
- ④ Press the SET button with something sharp at the end.
Set pair number is lighted for 3 seconds then turned off.

Ⓐ Pair No. of IR wireless remote controller	Indoor PC board
0	Initial setting
1	Cut J41
2	Cut J42
3-9	Cut J41, J42

6.3. Function settings

6.3.1. Function setting on the unit (Selecting the unit functions)

1) For wired remote controller

- ① (Fig. 6-5)
 - Select "Service" from the Main menu, and press the [SELECT] button.
 - Select "Function settings" with the [F1] or [F2] button, and press the [SELECT] button.
- ② (Fig. 6-6)
 - Set the indoor unit refrigerant addresses and unit numbers with the [F1] through [F4] buttons, and then press the [SELECT] button to confirm the current setting.

<Checking the Indoor unit No.>

When the [SELECT] button is pressed, the target indoor unit will start fan operation. If the unit is common or when running all units, all indoor units for the selected refrigerant address will start fan operation.

- ③ (Fig. 6-7)
 - When data collection from the indoor units is completed, the current settings appears highlighted. Non-highlighted items indicate that no function settings are made. Screen appearance varies depending on the "Unit No." setting.
- ④ (Fig. 6-8)
 - Use the [F1] or [F2] button to move the cursor to select the mode number, and change the setting number with the [F3] or [F4] button.
- ⑤ (Fig. 6-9)
 - When the settings are completed, press the [SELECT] button to send the setting data from the remote controller to the indoor units.
 - When the transmission is successfully completed, the screen will return to the Function setting screen.

6. Electrical work

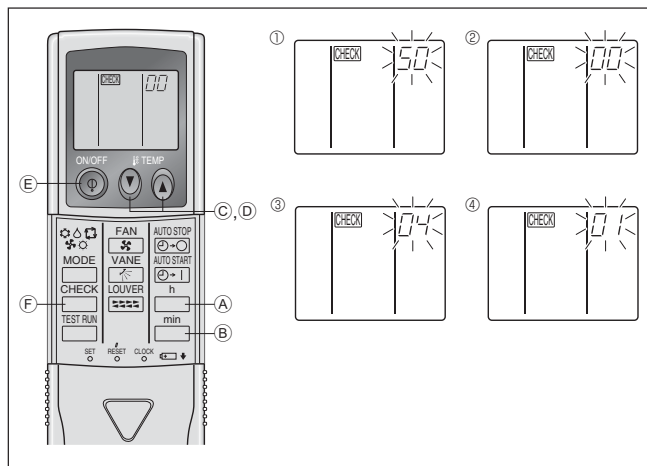


Fig. 6-10

2) For IR wireless remote controller (Fig. 6-10)

Changing the power voltage setting

- Be sure to change the power voltage setting depending on the voltage used.

① Go to the function select mode

Press the **CHECK** button (E) twice continuously.

(Start this operation from the status of IR wireless remote controller display turned off.)

CHECK is lighted and "00" blinks.

Press the temp (M) button (C) once to set "50". Direct the IR wireless remote controller toward the receiver of the indoor unit and press the **h** button (A).

② Setting the unit number

Press the temp (M) (A) button (C) and (D) to set the unit number "00". Direct the IR wireless remote controller toward the receiver of the indoor unit and press the **min** button (B).

③ Selecting a mode

Enter 04 to change the power voltage setting using the (M) (C) and (A) (D) buttons. Direct the IR wireless remote controller toward the receiver of the indoor unit and press the **h** button (A).

Current setting number: 1 = 1 beep (one second)
2 = 2 beeps (one second each)
3 = 3 beeps (one second each)

④ Selecting the setting number

Use the (M) (C) and (A) (D) buttons to change the power voltage setting to 01 (230 V). Direct the IR wireless remote controller toward the sensor of the indoor unit and press the **h** button (A).

⑤ To select multiple functions continuously

Repeat steps ③ and ④ to change multiple function settings continuously.

⑥ Complete function selection

Direct the IR wireless remote controller toward the sensor of the indoor unit and press the (E) button (E).

Note: Whenever changes are made to the function settings after installation or maintenance, be sure to record the changes with a mark in the "Setting" column of the Function table.

6.3.2 Function setting on the remote controller

For details on how to operate the remote controller, refer to the appropriate operation manual included with each remote controller.

Function table

Select unit number 00

Mode	Settings	Mode no.			
		Wired remote controller	Setting no.	Initial setting	setting
Power failure automatic recovery	Not available	01	1		
	Available *		2	O	
Indoor temperature detecting	Indoor unit operating average	02	1	O	
	Set by indoor unit's remote controller		2		
	Wired remote controller's internal sensor		3		
LOSSNAY connectivity	Not Supported	03	1	O	
	Supported (indoor unit is not equipped with outdoor-air intake)		2		
	Supported (indoor unit is equipped with outdoor-air intake)		3		
Power voltage	230 V	04	1	O	
	208 V		2		

Select unit numbers 01 to 03 or all units (AL [wired remote controller]/07 [wireless remote controller])

Mode	Settings	Mode no.			
		Wired remote controller	Setting no.	Initial setting	setting
Filter sign	100Hr	07	1		
	2500Hr		2	O	
	No filter sign indicator		3		
Fan speed	Silent	08	1		
	Standard		2	O	
	High ceiling		3		
Up/down vane setting	No vanes	11	1		
	Equipped with vanes (vanes angle setup ①)		2	O	
	Equipped with vanes (vanes angle setup ②)		3		

* When the power supply returns, the air conditioner will start 3 minutes or 1 minute later (hinge on outdoor unit).

7. Test run

7.1. Before test run

- ▶ After completing installation and the wiring and piping of the indoor and outdoor units, check for refrigerant leakage, looseness in the power supply or control wiring, wrong polarity, and no disconnection of one phase in the supply.
- ▶ Use a 500-volt megohmmeter to check that the resistance between the power supply terminals and ground is at least 1.0 MΩ.

▶ Do not carry out this test on the control wiring (low voltage circuit) terminals.

⚠ Warning:
Do not use the air conditioner if the insulation resistance is less than 1.0 MΩ.

7.2. Test run

■ Refer to the installation manual that comes with each remote controller for details.

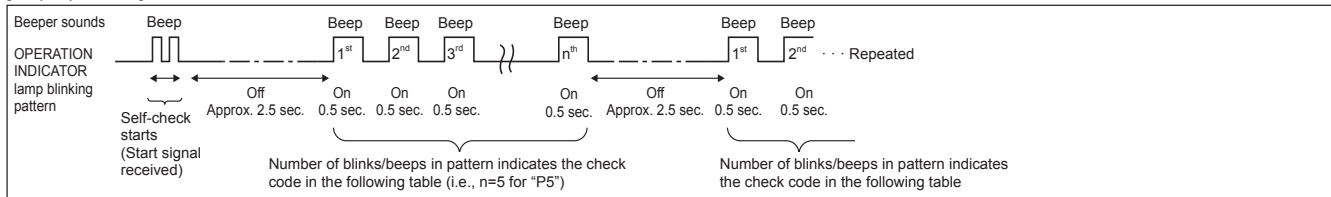
7.3. Self-check

■ Refer to the installation manual that comes with each remote controller for details.

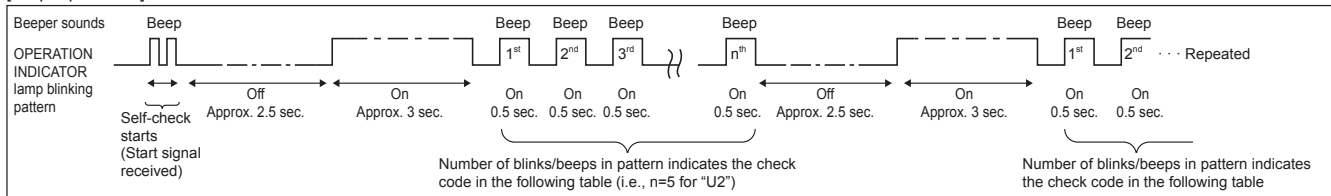
■ RF thermostat is not established.

• Refer to the following tables for details on the check codes. (IR wireless remote controller)

[Output pattern A]



[Output pattern B]



[Output pattern A] Errors detected by indoor unit

IR wireless remote controller	Wired remote controller RF thermostat	Symptom	Remark
Beeper sounds/OPERATION INDICATOR lamp blinks (Number of times)	Check code		
1	P1	Intake sensor error	
2	P2	Pipe (TH2) sensor error	
	P9	Pipe (TH5) sensor error	
3	E6, E7	Indoor/outdoor unit communication error	
4	P4	Drain sensor error / Float switch connector open	
5	P5	Drain pump error	
	PA	Forced compressor error	
6	P6	Freezing/Overheating protection operation	
7	EE	Communication error between indoor and outdoor units	
8	P8	Pipe temperature error	
9	E4	Remote controller signal receiving error	
10	—	—	
11	PB (Pb)	Indoor unit fan motor error	
12	FB (Fb)	Indoor unit control system error (memory error, etc.)	
14	PL	Refrigerant circuit abnormal	
No sound	E0, E3	Remote controller transmission error	
No sound	E1, E2	Remote controller control board error	
No sound	— — — —	No corresponding	

7. Test run

[Output pattern B] Errors detected by unit other than indoor unit (outdoor unit, etc.)

IR wireless remote controller	Wired remote controller RF thermostat	Symptom	Remark
Beeper sounds/OPERATION INDICATOR lamp blinks (Number of times)	Check code		
1	E9	Indoor/outdoor unit communication error (Transmitting error) (Outdoor unit)	For details, check the LED display of the outdoor controller board.
2	UP	Compressor overcurrent interruption	
3	U3, U4	Open/short of outdoor unit thermistors	
4	UF	Compressor overcurrent interruption (When compressor locked)	
5	U2	Abnormal high discharging temperature/49C worked/insufficient refrigerant	
6	U1, Ud	Abnormal high pressure (63H worked)/Overheating protection operation	
7	U5	Abnormal temperature of heat sink	
8	U8	Outdoor unit fan protection stop	
9	U6	Compressor overcurrent interruption/Abnormal of power module	
10	U7	Abnormality of super heat due to low discharge temperature	
11	U9, UH	Abnormality such as overvoltage or voltage shortage and abnormal synchronous signal to main circuit/Current sensor error	
12	—	—	
13	—	—	
14	Others	Other errors (Refer to the technical manual for the outdoor unit.)	

*1. If the beeper does not sound again after the initial 2 beeps to confirm the self-check start signal was received and the OPERATION INDICATOR lamp does not come on, there are no error records.

*2. If the beeper sounds 3 times continuously “beep, beep, beep (0.4 + 0.4 + 0.4 sec.)” after the initial 2 beeps to confirm the self-check start signal was received, the specified refrigerant address is incorrect.

- On IR wireless remote controller
The continuous buzzer sounds from receiving section of indoor unit.
Blink of operation lamp
- On wired remote controller
Check code displayed in the LCD.

• If the unit cannot be operated properly after test run, refer to the following table to find the cause.

Symptom		Cause
Wired remote controller	LED 1, 2 (PCB in outdoor unit)	
PLEASE WAIT	For about 2 minutes after power-on	After LED 1, 2 are lighted, LED 2 is turned off, then only LED 1 is lighted. (Correct operation)
PLEASE WAIT → Error code	Subsequent to about 2 minutes after power-on	Only LED 1 is lighted. → LED 1, 2 blink.
Display messages do not appear even when operation switch is turned ON (operation lamp does not light up).		Only LED 1 is lighted. → LED 1 blinks twice, LED 2 blinks once.

On the IR wireless remote controller with condition above, following phenomena take place.

- No signals from the remote controller are accepted.
- Operation lamp is blinking.
- The buzzer makes a short ping sound.

Note:

Operation is not possible for about 30 seconds after cancellation of function selection. (Correct operation)

For description of each LED (LED1, 2, 3) provided on the indoor controller, refer to the following table.

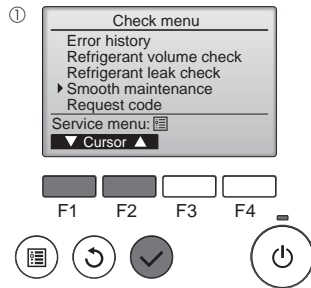
LED 1 (power for microcomputer)	Indicates whether control power is supplied. Make sure that this LED is always lit.
LED 2 (power for remote controller)	Indicates whether power is supplied to the remote controller. This LED lights only in the case of the indoor unit which is connected to the outdoor unit refrigerant address "0".
LED 3 (communication between indoor and outdoor units)	Indicates state of communication between the indoor and outdoor units. Make sure that this LED is always blinking.

8. Easy maintenance function

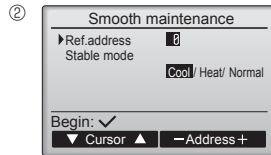
Maintenance data, such as the indoor/outdoor unit's heat exchanger temperature and compressor operation current can be displayed with "Smooth maintenance".

* This cannot be executed during test operation.

* Depending on the combination with the outdoor unit, this may not be supported by some models.

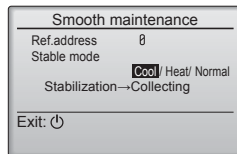


- Select "Service" from the Main menu, and press the [SELECT] button.
- Select "Check" with the [F1] or [F2] button, and press the [SELECT] button.
- Select "Smooth maintenance" with the [F1] or [F2] button, and press the [SELECT] button.

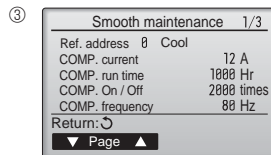


Select each item.

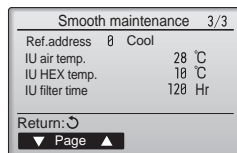
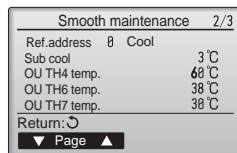
- Select the item to be changed with the [F1] or [F2] button.
- Select the required setting with the [F3] or [F4] button.
 "Ref. address" setting "0" - "15"
 "Stable mode" setting..... "Cool" / "Heat" / "Normal"
- Press the [SELECT] button, fixed operation will start.
 * Stable mode will take approx. 20 minutes.



The operation data will appear.



The Compressor-Accumulated operating (COMP. run) time is 10-hour unit, and the Compressor-Number of operation times (COMP. On/Off) is a 100-time unit (fractions discarded)



Navigating through the screens

- To go back to the Main menu.....[MENU] button
- To return to the previous screen [RETURN] button

Index

1. Consignes de sécurité.....	13	5. Mise en place du tuyau d'écoulement.....	17
2. Emplacement pour l'installation.....	14	6. Installations électriques.....	17
3. Installation de l'appareil intérieur.....	14	7. Marche d'essai.....	21
4. Installation de la tuyauterie du réfrigérant.....	16	8. Fonction d'entretien aisé.....	23

1. Consignes de sécurité

- ▶ Avant d'installer le climatiseur, lire attentivement toutes les "Consignes de sécurité".
- ▶ Veuillez consulter ou obtenir l'autorisation de votre compagnie d'électricité avant de connecter votre système.

⚠ Avertissement:

Précautions à suivre pour éviter tout danger de blessure ou de décès de l'utilisateur.

⚠ Précaution:

Décrit les précautions qui doivent être prises pour éviter d'endommager l'appareil.

⚠ Avertissement:

- Contacter un revendeur ou un technicien agréé pour installer l'appareil.
- Pour l'installation, respecter les instructions du manuel d'installation et utiliser des outils et des composants de tuyau spécialement conçus pour une utilisation avec le réfrigérant spécifié dans le manuel d'installation de l'appareil extérieur.
- L'appareil doit être installé conformément aux instructions pour réduire les risques de dommages liés à des tremblements de terre, des typhons ou des vents violents. Une installation incorrecte peut entraîner la chute de l'appareil et provoquer des dommages ou des blessures.
- L'appareil doit être solidement installé sur une structure pouvant supporter son poids.
- Si le climatiseur est installé dans une petite pièce, certaines mesures doivent être prises pour éviter que la concentration de réfrigérant ne dépasse le seuil de sécurité en cas de fuite. En cas de fuite de réfrigérant et de dépassement du seuil de concentration, des risques liés au manque d'oxygène dans la pièce peuvent survenir.
- Aérer la pièce en cas de fuite de réfrigérant lors de l'utilisation. Le contact du réfrigérant avec une flamme peut provoquer des émanations de gaz toxiques.
- Tout travail sur les installations électriques doit être effectué par un technicien qualifié

Une fois l'installation terminée, expliquer les "Consignes de sécurité", l'utilisation et l'entretien de l'appareil au client conformément aux informations du mode d'emploi et effectuer l'essai de fonctionnement en continu pour garantir un fonctionnement normal. Le manuel d'installation et le mode d'emploi doivent être fournis à l'utilisateur qui doit les conserver. Ces manuels doivent également être transmis aux nouveaux utilisateurs.

⚡ : Indique un élément qui doit être mis à la terre.

⚠ Avertissement:

Prendre soin de lire les étiquettes se trouvant sur l'appareil principal.

- conformément aux réglementations locales et aux instructions fournies dans ce manuel.
- N'utiliser que les câbles spécifiés pour les raccordements.
- Le couvercle du bloc de sortie de l'appareil doit être solidement fixé.
- N'utiliser que les accessoires agréés par Mitsubishi Electric et contacter un revendeur ou un technicien agréé pour les installer.
- L'utilisateur ne doit jamais essayer de réparer ou de déplacer l'appareil.
- Une fois l'installation terminée, vérifier les éventuelles fuites de réfrigérant.
- Si le réfrigérant fuit dans la pièce et entre en contact avec la flamme d'un chauffage ou d'une cuisinière, des gaz toxiques peuvent se dégager.
- Lors de l'installation, du déplacement ou de l'entretien du climatiseur, n'utilisez que le réfrigérant spécifié (R410A) pour remplir les tuyaux de réfrigérant. Ne pas le mélanger avec un autre réfrigérant et faire le vide d'air dans les tuyaux.
- Si du réfrigérant est mélangé avec de l'air, cela peut provoquer des pointes de pression dans les tuyaux de réfrigérant et entraîner une explosion et d'autres risques. L'utilisation d'un réfrigérant différent de celui spécifié pour le climatiseur peut entraîner des défaillances mécaniques, des dysfonctionnements du système ou une panne de l'appareil. Dans le pire des cas, cela peut entraîner un obstacle à la mise en sécurité du produit.

1.1. Avant l'installation (Environnement)

⚠ Précaution:

- Ne pas utiliser l'appareil dans un environnement inhabituel. Si le climatiseur est installé dans des endroits exposés à la vapeur, à l'huile volatile (notamment l'huile de machine), au gaz sulfurique ou à une forte teneur en sel, par exemple, en bord de mer, les performances peuvent considérablement diminuer et les pièces internes de l'appareil être endommagées.
- Ne pas installer l'appareil dans des endroits où des gaz de combustion peuvent s'échapper, se dégager ou s'accumuler. L'accumulation de gaz de combustion autour de l'appareil peut provoquer un incendie ou une explosion.
- Ne pas placer d'aliments, de plantes, d'animaux en cage, d'objets d'art ou d'instruments de précision dans la soufflerie d'air direct de l'appareil intérieur ou à proximité de l'appareil au risque de les endommager par des variations de température ou des gouttes d'eau.

- Si l'humidité ambiante dépasse 80% ou si le tuyau d'écoulement est bouché, des gouttes d'eau peuvent tomber de l'appareil intérieur. Ne pas installer l'appareil intérieur dans un endroit où ces gouttes peuvent provoquer des dommages.
- Lors de l'installation de l'appareil dans un hôpital ou un centre de communications, se préparer au bruit et aux interférences électroniques. Les inverseurs, les appareils électroménagers, les équipements médicaux haute fréquence et de communications radio peuvent provoquer un dysfonctionnement ou une défaillance du climatiseur. Le climatiseur peut également endommager les équipements médicaux et de communications, perturbant ainsi les soins et réduisant la qualité d'affichage des écrans.

1.2. Avant l'installation ou le déplacement

⚠ Précaution:

- Transporter les appareils avec précaution. L'appareil doit être transporté par au moins deux personnes, car il pèse 20 kg, 44 lbs minimum. Ne pas le saisir par les rubans d'emballage. Porter des gants de protection en raison du risque de se blesser les mains sur les ailettes ou d'autres pièces.
- Veiller à éliminer le matériel d'emballage en toute sécurité. Le matériel d'emballage (clous et autres pièces en métal ou en bois) peut provoquer des blessures.
- Isoler le tuyau de réfrigérant pour éviter la condensation. S'il n'est pas correctement isolé, de la condensation risque de se former.

- Placer un isolant thermique sur les tuyaux pour éviter la condensation. L'installation incorrecte du tuyau d'écoulement peut provoquer des fuites d'eau et endommager le plafond, le sol, les meubles ou d'autres objets.
- Ne pas nettoyer le climatiseur à l'eau au risque de provoquer un choc électrique.
- Serrer tous les écrous évasés conformément aux spécifications à l'aide d'une clé dynamométrique. S'ils sont trop serrés, ils peuvent casser après une période prolongée.

1.3. Avant l'installation électrique

⚠ Précaution:

- Veiller à installer des coupe-circuits. Dans le cas contraire, un choc électrique peut se produire.
- Pour les lignes électriques, utiliser des câbles standard de capacité suffisante. Dans le cas contraire, un court-circuit, une surchauffe ou un incendie peut se produire.
- Lors de l'installation des lignes électriques, ne pas mettre les câbles sous tension.

- Veiller à mettre l'appareil à la terre. Une mise à la terre incorrecte de l'appareil peut provoquer un choc électrique.
- Utiliser des coupe-circuits (disjoncteur de fuite à la terre, interrupteur d'isolement (fusible +B) et disjoncteur à boîtier moulé) à la capacité spécifiée. Si la capacité du coupe-circuit est supérieure à celle spécifiée, une défaillance ou un incendie peut se produire.

1.4. Avant la marche d'essai

⚠ Précaution:

- Activer l'interrupteur principal au moins 12 heures avant la mise en fonctionnement de l'appareil. L'utilisation de l'appareil juste après sa mise sous tension peut endommager sérieusement les pièces internes.
- Avant d'utiliser l'appareil, vérifier que tous les panneaux, toutes les protections et les autres pièces de sécurité sont correctement installés. Les pièces tournantes, chaudes ou à haute tension peuvent provoquer des blessures.
- Ne pas utiliser le climatiseur si le filtre à air n'est pas installé. Sinon, des

- poussières peuvent s'accumuler et endommager l'appareil.
- Ne pas toucher les interrupteurs les mains humides au risque de provoquer un choc électrique.
- Ne pas toucher les tuyaux de réfrigérant les mains nues lors de l'utilisation.
- A la fin de l'utilisation de l'appareil, attendre au moins cinq minutes avant de désactiver l'interrupteur principal. Dans le cas contraire, une fuite d'eau ou une défaillance peut se produire.

2. Emplacement pour l'installation

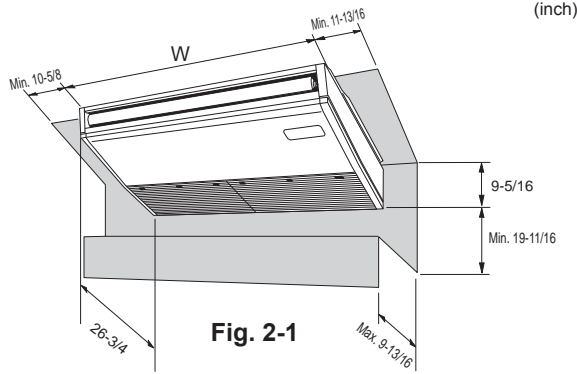


Fig. 2-1

(inch)

2.1. Dimensions externes (Appareil intérieur) (Fig. 2-1)

Choisir un emplacement approprié en prenant compte des espaces suivants pour l'installation et l'entretien.

(inch)

Modèles	W
A24, 30	50-3/8
A36, 42	63

⚠ Avertissement:

Fixer l'appareil intérieur à un plafond suffisamment résistant pour supporter son poids.

2.2. Dimensions extérieures (Appareil extérieur)

Consulter le manuel d'installation de l'appareil extérieur.

3. Installation de l'appareil intérieur

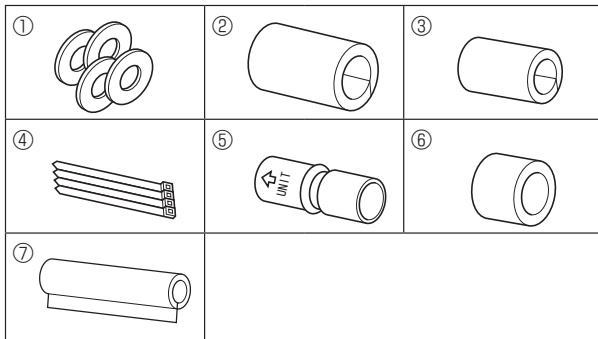


Fig. 3-1

3.1. Vérifier les accessoires qui accompagnent l'appareil intérieur (Fig. 3-1)

L'appareil intérieur devrait être fourni avec les pièces de rechange et accessoires suivants (se trouvent à l'intérieur de la grille d'aspiration).

	Nom de l'accessoire	Qté
①	Rondelle	4
②	Gaine protectrice de tuyau	1 grande taille (pour la tuyauterie à gaz)
③	Gaine protectrice de tuyau	1 petite taille (pour la tuyauterie à liquide)
④	Courroie	4
⑤	Douille	1 Marquée "UNIT" (APPAREIL)
⑥	Gaine de la douille	1
⑦	Gaine du tuyau d'évacuation	1

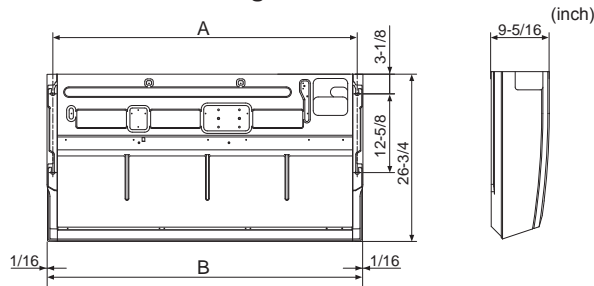


Fig. 3-1

3.2. Préparation à l'installation (Fig. 3-2)

3.2.1. Espacement et installation du boulon de suspension

(inch)

Modèles	A	B
A24,30	48-11/16	50-3/8
A36,42	61-5/16	63

3.2.2. Emplacement des tuyaux d'évacuation et du réfrigérant

- Ⓐ Sortie de la face avant
- Ⓑ Sortie du côté gauche
- Ⓒ Sortie du côté droit
- Ⓓ Pièce indépendante (peut être enlevé)
- Ⓔ Tuyau d'évacuation droit
- Ⓕ Tuyau d'évacuation gauche
- Ⓖ Tuyau à gaz
- Ⓗ Tuyau à liquide
- Ⓚ Bouchon en caoutchouc
- Ⓛ avec douille ⑤

Dans le cas de la préparation de la conduite arrière, s'assurer de retirer les parties ombrées de la pièce indépendante Ⓓ. Puis remettre la pièce indépendante Ⓓ dans sa position initiale.

(L'échangeur thermique peut-être bouché par de la poussière)

3.2.3. Sélection des boulons de suspension et des emplacements des tuyaux (Fig. 3-3)

⚠ Attention:

Installer l'appareil intérieur à 8 ft. (2,4 m) au moins au-dessus du sol ou sur un plan surélevé. Ces appareils ne sont pas accessibles au grand public.

En vous servant du schéma fourni pour l'installation, choisissez les positions correctes pour les boulons de suspension et les tuyaux et préparez les orifices nécessaires.

- Ⓐ Schéma
 - Ⓑ Orifice du boulon de suspension
 - Ⓒ Largeur de l'appareil intérieur
- Fixer les boulons de suspension de la manière décrite ci-dessous ou utiliser des aisseliers ou des carrés de bois pour l'installation des boulons.
- Ⓓ Utiliser des clavettes de 220 à 230 lbs (100 à 105 kg) chacune
 - Ⓔ Utiliser des boulons de suspension de taille W3/8 ou M10.

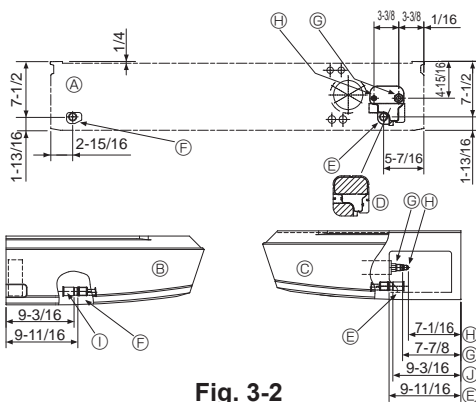


Fig. 3-2

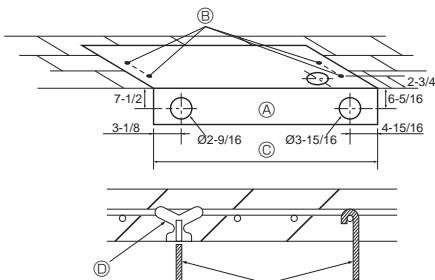


Fig. 3-3

3. Installation de l'appareil intérieur

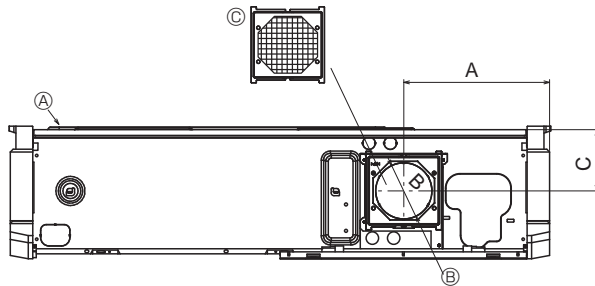


Fig. 3-4

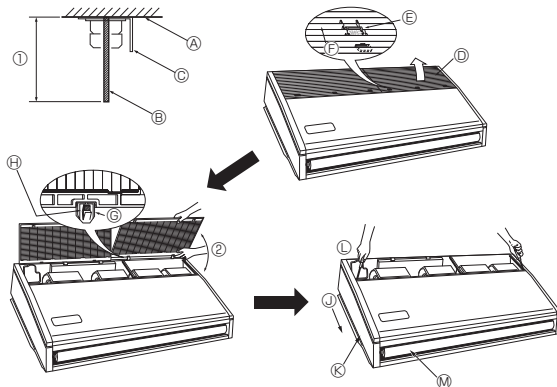


Fig. 3-5

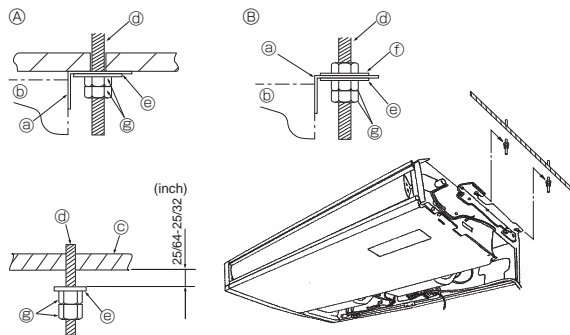


Fig. 3-6

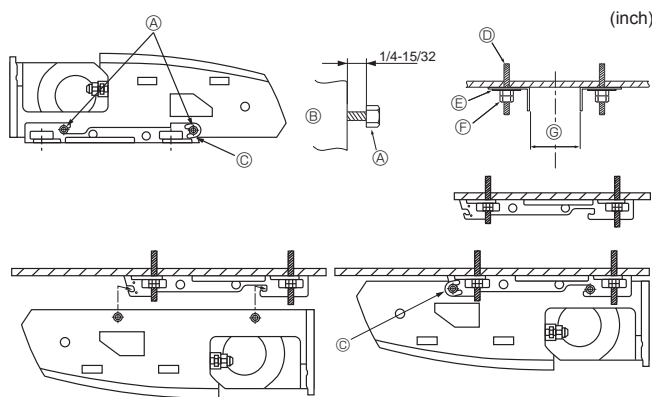


Fig. 3-7

3.2.4. Entrée d'air frais (Fig. 3-4)

Au moment de l'installation, utiliser les orifices de conduite (défonçables) situés aux endroits indiqués dans le diagramme suivant en fonction des nécessités.

- Ⓐ Appareil intérieur
- Ⓑ Entrée d'air frais (orifice défonçable)
- Ⓒ Filtre

in. (mm)

A	B	C
10-3/16 (259,5)	ø 3-15/16 (ø 100)	4-5/16 (109)

3.2.5. Préparation de l'appareil intérieur (Fig. 3-5)

1. Installer les boulons de suspension (les boulons W3/8 ou M10 seront fournis localement).

Déterminer d'avance la distance du plafond (① à 3-59/64 inch près (100 mm)).

Ⓐ Surface du plafond Ⓑ Boulon de suspension Ⓒ Support de suspension

2. Retirer la grille d'aspiration.

Faire glisser les boutons d'arrêt de la grille d'aspiration (à deux endroits) vers l'arrière pour ouvrir la grille d'aspiration.

3. Enlever le panneau latéral.

Enlever les vis de fixation du panneau latéral (un de chaque côté, droit et gauche) puis faire glisser le panneau latéral vers l'avant pour l'enlever.

Ⓓ Grille d'aspiration Ⓔ Faire glisser le panneau latéral vers l'avant.

Ⓔ Bouton d'arrêt de la grille d'aspiration Ⓕ Panneau latéral

Ⓕ Les faire glisser Ⓖ Enlever les vis de fixation du panneau latéral.

Ⓖ Charnière Ⓗ Retirer la protection en vinyle des volets.

Ⓗ Tout en poussant sur la charnière, retirer la grille d'aspiration.

Ⓘ Ne jamais forcer pour ouvrir la grille d'arrivée d'air ni l'ouvrir dans un angle supérieur à 120° sinon vous risqueriez d'endommager les charnières.

3.3. Installation de l'appareil intérieur (Fig. 3-6)

Utiliser la méthode de suspension applicable ci-dessous, selon la présence ou l'absence de matériaux de plafond.

- Ⓐ Si les matériaux de plafond sont présents Ⓒ Plafond
- Ⓑ S'il n'y a pas de matériaux de plafond Ⓓ Boulon de suspension
- Ⓒ Support de suspension Ⓔ Rondelle ①
- Ⓓ Appareil Ⓕ Rondelle (sera fourni localement)
- Ⓔ Ecrous doubles

1) Suspendre l'appareil directement

Méthodes d'installation

1. Mettre en place la rondelle ① (fournie avec l'appareil) et les écrous (sera fourni localement).

2. Accrocher l'appareil aux boulons de suspension.

3. Serrer les écrous.

Vérifier la condition d'installation de l'appareil

• Vérifier que l'appareil est à l'horizontale entre les côtés droit et gauche.

• Vérifier que les supports de suspension avant et arrière sont à l'horizontale.

(Pour favoriser l'écoulement, l'appareil est incliné sur les supports de suspension.

L'appareil en pente régulière vers le bas de l'avant vers l'arrière correspond à la position d'installation appropriée.)

2) Installer en premier le support de suspension au plafond (Fig. 3-7)

Méthodes d'installation

1. Retirer les supports de suspension et les rondelles en forme de U de l'appareil.

2. Ajuster les boulons de fixation du support de suspension se trouvant sur l'appareil.

3. Attacher les supports de suspension aux boulons de suspension.

4. Vérifier que les supports de suspension sont à l'horizontale (avant et arrière/ droite et gauche).

5. Accrocher l'appareil aux supports de suspension.

6. Serrez des verrous fixes des supports de la mise en suspension.

* Soyez sûr d'avoir mis les rondelles en forme de U en place.

Ⓐ Boulon de fixation du support de suspension

Ⓑ Appareil

Ⓒ rondelle en forme de U

Ⓓ boulons de suspension

Ⓔ Rondelle ①

Ⓕ Ecrous doubles

Ⓒ	A24, 30	47 - 5/16
	A36, 42	59 - 7/8

4. Installation de la tuyauterie du réfrigérant

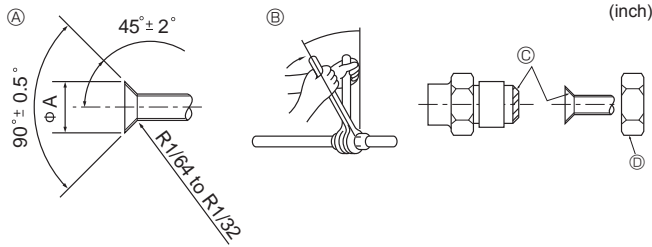


Fig. 4-1

Ⓐ Dimension de l'évasement in. (mm)

Diam. ext. Tuyau en cuivre	Dimensions évasement Dimensions øA
1/4" (ø6,35)	11/32-23/64 (8,7 - 9,1)
3/8" (ø9,52)	1/2-33/64 (12,8 - 13,2)
1/2" (ø12,7)	41/64-21/32 (16,2 - 16,6)
5/8" (ø15,88)	49/64-25/32 (19,3 - 19,7)
3/4" (ø19,05)	29/32-59/64 (22,9 - 23,3)

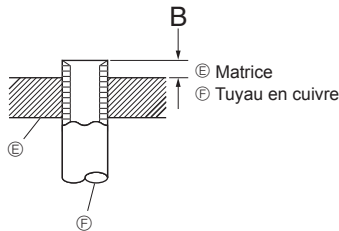


Fig. 4-2

in. (mm)

Diam. ext. Tuyau en cuivre	B
	Outil d'évasement pour le R410A
	Type embrayage
1/4" (ø6,35)	0-1/64 (0 - 0,5)
3/8" (ø9,52)	0-1/64 (0 - 0,5)
1/2" (ø12,7)	0-1/64 (0 - 0,5)
5/8" (ø15,88)	0-1/64 (0 - 0,5)
3/4" (ø19,05)	0-1/64 (0 - 0,5)

4.1. Consignes

Pour les appareils utilisant le réfrigérant R410A

- Appliquer une petite quantité d'huile ester, éther ou alkylbenzène comme huile réfrigérante sur les sections évasées.
- Utiliser le cuivre phosphoreux C1220, pour des tuyaux sans soudure en cuivre et en alliage de cuivre, pour raccorder les tuyaux de réfrigérant. Utiliser les tuyaux de réfrigérant dont l'épaisseur est spécifiée dans le tableau ci-dessous. Vérifier que l'intérieur des tuyaux est propre et dépourvu de tout agent nocif tel que des composés sulfuriques, des oxydants, des débris ou des saletés.

⚠ Avertissement:

Lors de l'installation, du déplacement ou de l'entretien du climatiseur, n'utilisez que le réfrigérant spécifié (R410A) pour remplir les tuyaux de réfrigérant. Ne pas le mélanger avec un autre réfrigérant et faire le vide d'air dans les tuyaux.

Si du réfrigérant est mélangé avec de l'air, cela peut provoquer des pointes de pression dans les tuyaux de réfrigérant et entraîner une explosion et d'autres risques.

L'utilisation d'un réfrigérant différent de celui spécifié pour le climatiseur peut entraîner des défaillances mécaniques, des dysfonctionnements du système ou une panne de l'appareil. Dans le pire des cas, cela peut entraîner un obstacle à la mise en sécurité du produit.

in. (mm)

	A24, 30, 36, 42
Conduit de liquide	3/8" (ø9,52) épaisseur 1/32" (0,8)
Conduit de gaz	5/8" (ø15,88) épaisseur 3/64" (1,0)

- Ne pas utiliser de tuyaux plus fins que ceux spécifiés ci-dessus.

4.2. Connexion des tuyaux (Fig. 4-1)

- En cas d'utilisation de tuyaux en cuivre disponibles sur le marché, envelopper les tuyaux de liquide et de gaz avec de la matière isolante vendue dans le commerce sur le marché (résistant à une chaleur de 212°F (100 °C) ou supérieure et d'une épaisseur de 1/2 in. (12 mm) ou plus).
- Les parties intérieures du tuyau d'écoulement doivent également être entourées de matière isolante en mousse de polyéthylène (avec une poids spécifique de 0,03 et de 23/64 in. (9 mm) d'épaisseur ou plus).
- Appliquer un film mince d'huile réfrigérante sur la surface du tuyau et du support du joint avant de serrer l'écrou évasé.
- Utiliser deux clés pour serrer les connexions des tuyaux.
- Utiliser la matière isolante des tuyaux de réfrigérant fournie afin d'envelopper les connexions des appareils intérieurs. Effectuer l'isolation avec soin.

Ⓒ Couple de serrage du raccord conique

Diam. ext. Tuyau en cuivre (mm, inch)	Diam. ext. raccord conique (mm, inch)	Tightening torque (N-m, ft.lbs)
ø6,35, 1/4	17, 43/64	14-18, 10-13
ø6,35, 1/4	22, 7/8	34-42, 25-30
ø9,52, 3/8	22, 7/8	34-42, 25-30
ø12,7, 1/2	26, 1-3/64	49-61, 35-44
ø12,7, 1/2	29, 1-9/64	68-82, 49-59
ø15,88, 5/8	29, 1-9/64	68-82, 49-59
ø15,88, 5/8	36, 1-27/64	100-120, 71-86
ø19,05, 3/4	36, 1-27/64	100-120, 71-86

Ⓒ Appliquer de l'huile réfrigérante sur toute la surface évasée du fond.

Ⓓ Utiliser des écrous évasés corrects correspondant à la taille des tuyaux de l'appareil extérieur.

4.3. Appareil intérieur (Fig. 4-3)

Méthodes d'installation

1. Glisser la gaine du tuyau ② autour du tuyau à gaz jusqu'à ce qu'elle soit pressée contre la tôle à l'intérieur de l'appareil.
2. Glisser la gaine du tuyau ③ autour du tuyau à liquide jusqu'à ce qu'elle soit pressée contre la tôle à l'intérieur de l'appareil.
3. Nouer les courroies fournies ④ aux deux extrémités 3/4 in. (20 mm) des gaines des tuyaux ② et ③.

Ⓐ Tuyau à gaz

Ⓔ Gaine de tuyau ③

Ⓑ Tuyau à liquide

Ⓕ Presser la gaine du tuyau contre la tôle.

Ⓒ Courroie ④

Ⓖ Matériel isolant du tuyau à réfrigérant

Ⓓ Gaine de tuyau ②

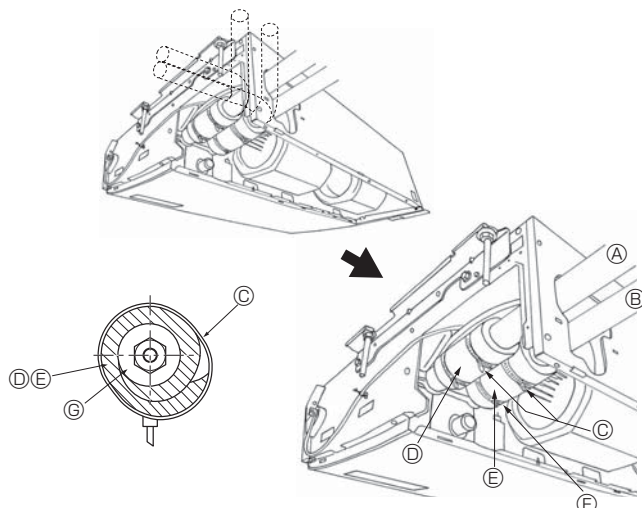


Fig. 4-3

4.4. Pour double/triple combinaison

Consulter le manuel d'installation de l'appareil extérieur.

5. Mise en place du tuyau d'écoulement

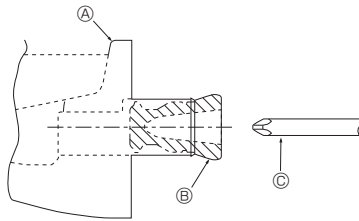


Fig. 5-1

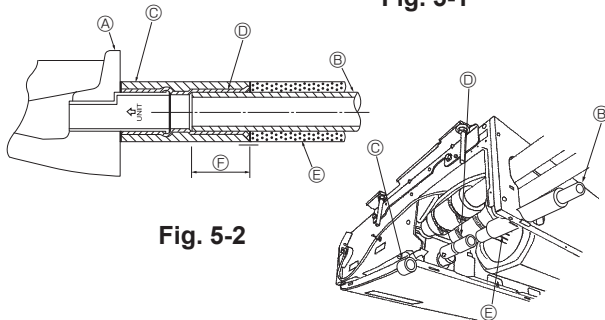


Fig. 5-2

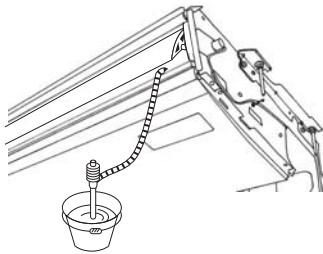


Fig. 5-3

- Si vous installez le tuyau sur le côté gauche, soyez sûr d'insérer le bouchon en caoutchouc dans l'orifice d'évacuation droit. (Fig. 5-1)
- Utiliser un tuyau VP20 (en PVC, D.E.ø26) pour les tuyaux d'écoulement et prévoir une pente d'1% ou plus.
- Après la fin des travaux, vérifier que le correct tuyau d'évacuation sort de l'orifice de débit du tuyau d'évacuation.

- Ⓐ Bac d'évacuation
- Ⓑ Bouchon

Ⓢ Introduire par exemple un tournevis profondément dans le bouchon.

Méthodes d'installation (Fig. 5-2)

1. Relier la douille ⑤ fournie avec l'appareil à l'orifice d'évacuation de l'appareil avec un adhésif de chlorure de vinyle.
2. Attacher la gaine ⑥ (fournie avec l'appareil) au tuyau d'évacuation ⑦.
3. Relier le tuyau d'évacuation (VP-20) à la douille ⑤ avec un adhésif de chlorure de vinyle.
4. Envelopper la gaine ⑦ (fournie avec l'appareil) autour du tuyau d'évacuation. (Bandage de soudure)

- Ⓐ Bac d'évacuation
- Ⓑ Tuyauterie d'évacuation
- Ⓒ Gaine de la douille ⑤
- Ⓓ Douille ⑤
- Ⓔ Gaine de la tuyauterie d'évacuation ⑦
- Ⓕ Longueur d'insertion : 1-15/32 in. (37 mm)

5. Vérifier que le système d'évacuation est correct. (Fig. 5-3)

* Remplir le bac d'évacuation avec environ 1/4 gal (1 l) d'eau des sorties d'air.

6. Installations électriques

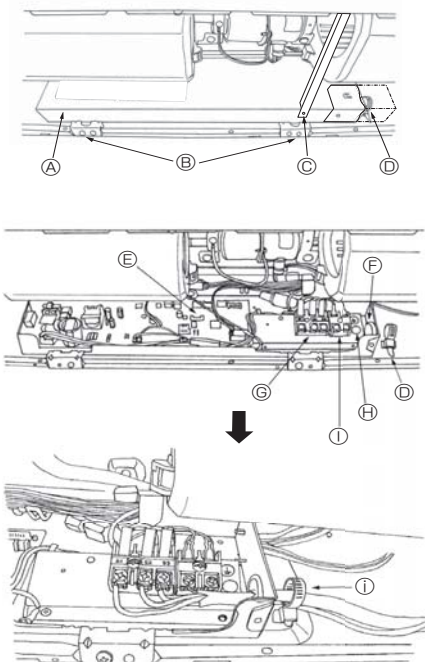


Fig. 6-1

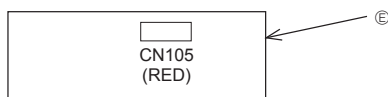


Fig. 6-2

6.1. Installation électrique (Fig. 6-1)

Méthodes pour l'installation électrique

1. Retirer les deux vis à tôle ② puis retirer le faisceau.
2. Enlever les (2) vis à tôle ③, puis enlever le couvercle ④ de la partie électrique.
3. <Pour la télécommande filaire>
Raccorder correctement les fils électriques aux bornes correspondantes (Fig. 6-1).
4. Remettre en place les pièces enlevées.
5. Attacher les fils électriques au serre-fils local se trouvant dans le côté droit de la boîte électrique.

- Ⓐ Couvercle
- Ⓑ Connecteur du câble de mise en terre.
- Ⓒ Vis de serrage (2)
- Ⓓ Bornier de la télécommande filaire
- Ⓔ Vis de serrage (Faisceau)
- Ⓕ Attacher avec la bride des fils.
- Ⓖ Bride pour câbles
- Ⓗ Panneau du contrôleur intérieur
- Ⓘ Orifice pour l'entretien des câbles
- Ⓚ Bloc de sortie pour la connexion des appareils intérieur et extérieur

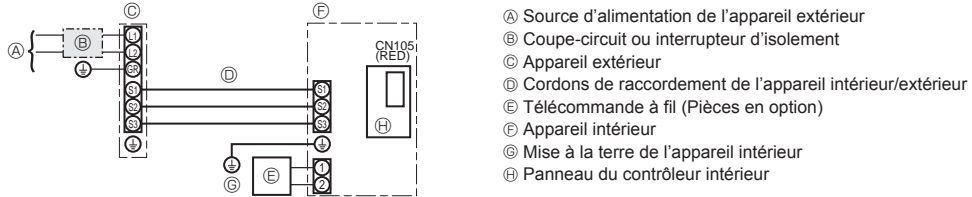
6. Installations électriques

6.1.1. Alimentation de l'appareil intérieur provenant de l'appareil extérieur

Les schémas de connexion suivants sont disponibles.

Les schémas d'alimentation de l'appareil extérieur varient selon les modèles.

Systeme 1:1



- Ⓐ Source d'alimentation de l'appareil extérieur
- Ⓑ Coupe-circuit ou interrupteur d'isolement
- Ⓒ Appareil extérieur
- Ⓓ Cordons de raccordement de l'appareil intérieur/extérieur
- Ⓔ Télécommande à fil (Pièces en option)
- Ⓕ Appareil intérieur
- Ⓖ Mise à la terre de l'appareil intérieur
- Ⓗ Panneau du contrôleur intérieur

* Apposer une étiquette A fournie avec les manuels près de chaque schéma de câblage des appareils intérieur et extérieur.

Modèle de l'appareil intérieur		PCA-A24,30	PCA-A36, 42
Courant admissible minimum du circuit		1A	2A
Valeur nominale maximum du dispositif de protection contre les surintensités		15A	
Câblage No du câble x taille	Appareil intérieur-appareil extérieur	*1	3 x AWG14 (polar)
	Mise à la terre de l'appareil intérieur		1 x Min. AWG14
	Télécommande à fil-Appareil intérieur	*2	2 x AWG22 (non polarisé, non blindé)
Tension du circuit	Appareil intérieur-appareil extérieur S1-S2	*3	208/230 V CA
	Appareil intérieur-appareil extérieur S2-S3	*3	24 V CC
	Télécommande à fil-Appareil intérieur	*3	12 V CC

*1. 50 m, 165 ft max.

*2. 500 m, 1640 ft max. (Pour deux commandes à distance filaires : 200 m, 656 ft max.)

*3. Les chiffres ne s'appliquent PAS toujours à la mise à la terre.

La borne S3 présente une différence de 24 V CC par rapport à la borne S2. Les bornes S3 et S1 ne sont pas isolées électriquement par le transformateur ou tout autre appareil.

Remarques: 1. La taille des fils doit être conforme aux réglementations nationales et locales pertinentes.

2. Utiliser des fils d'alimentation en cuivre.

3. Utiliser des fils d'une intensité nominale de 600V ou plus pour les câbles d'alimentation et les câbles de raccordement de l'appareil intérieur/l'appareil extérieur.

4. Installer un câble de terre plus long que les autres câbles.

6.2. Télécommande (Pièces en option)

6.2.1. Pour la télécommande à fil

1) Réglage de deux télécommandes à fil

Si deux télécommandes à fil sont connectées, régler la première sur "principal" et la seconde sur "auxiliaire". Pour prendre connaissance des procédures de configuration, consultez "Sélection des fonctions" dans le mode d'emploi de l'appareil intérieur.

Remarque :

Lors du raccordement de deux télécommandes, veiller à utiliser le même modèle.

6. Installations électriques

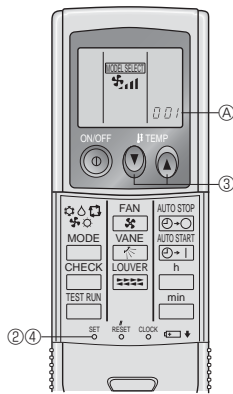


Fig. 6-3

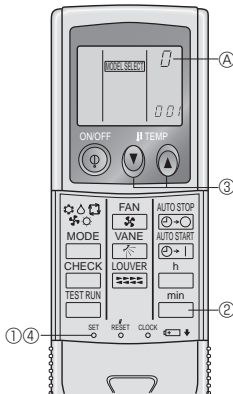


Fig. 6-4

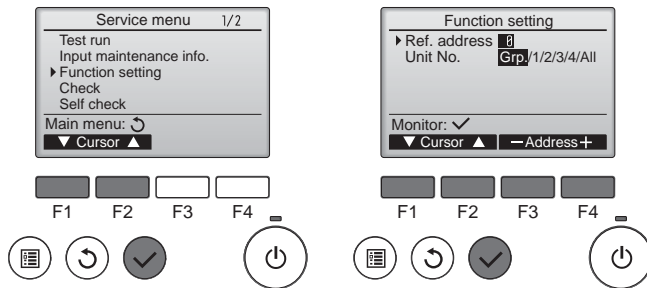


Fig. 6-5

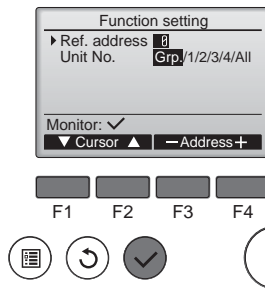


Fig. 6-6

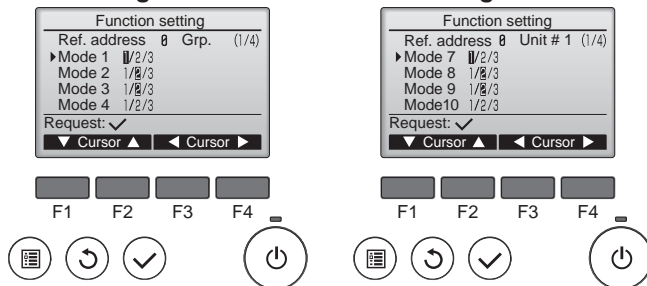


Fig. 6-7

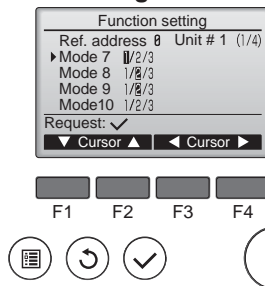


Fig. 6-8

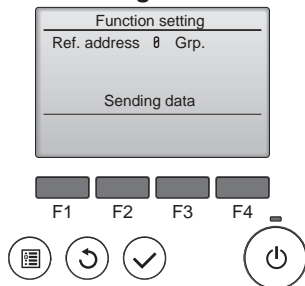


Fig. 6-9

6.2.2. Pour télécommande sans fil infrarouge

1) Lieu d'installation

- À l'abri des rayons directs du soleil.
- À l'écart de toute source de chaleur.
- À l'abri des courants d'air froids (ou chauds).
- Lieu où la télécommande sans fil infrarouge peut être facilement utilisée.
- Hors de la portée des enfants.

2) Programmation (Fig. 6-3)

- 1 Introduire les piles.
- 2 Appuyer sur le bouton SET à l'aide d'un objet pointu. MODEL SELECT clignote et le numéro du modèle est allumé.
- 3 Appuyer sur le bouton temp \odot \odot pour programmer le numéro du modèle. Si l'opération est erronée, appuyer sur la touche ON/OFF \odot et recommencer à partir du point 3.
- 4 Appuyer sur le bouton SET à l'aide d'un objet pointu. MODEL SELECT et le numéro du modèle s'allument pendant trois secondes puis s'éteignent.

Intérieur	Extérieur	④ No. modèle
PCA	PUZ	001
	PUY	033

3) Attribution d'une télécommande sans fil infrarouge à chaque appareil

Seule la télécommande sans fil infrarouge attribuée à un appareil peut commander cet appareil.

S'assurer qu'un même numéro de paire a été attribué à chaque paire de carte électronique d'unité extérieure et de télécommande sans fil infrarouge.

4) Programmation des numéros de paires de la télécommande sans fil infrarouge. (Fig. 6-4)

- 1 Appuyer sur le bouton SET à l'aide d'un objet pointu. Commencer cette opération avec l'affichage de la télécommande sans fil infrarouge désactivée. MODEL SELECT clignote et le numéro du modèle s'allume.
- 2 Appuyer deux fois sans relâcher sur le bouton min . Le numéro "0" clignote.
- 3 Appuyer sur le bouton temp \odot \odot pour attribuer le numéro de paires de votre choix. Si l'opération est erronée, appuyer sur la touche ON/OFF \odot et recommencer à partir du point 2.
- 4 Appuyer sur le bouton SET à l'aide d'un objet pointu. Le numéro de paires attribué s'allume pendant trois secondes puis s'éteint.

④ Numéro de paire de la télécommande sans fil infrarouge	Carte à circuit imprimé intérieure
0	Réglage d'usine
1	Couper J41
2	Couper J42
3-9	Couper J41, J42

6.3. Réglage des fonctions

6.3.1. Réglage des fonctions sur l'appareil (sélection des fonctions de l'appareil)

1) Pour la télécommande filaire

- 1 (Fig. 6-5)
 - Sélectionnez "Service" dans le menu général puis appuyez sur la touche [CHOIX].
 - Sélectionnez "Function settings" (Réglage des fonctions) à l'aide du bouton [F1] ou [F2] puis appuyez sur le bouton [CHOIX].
- 2 (Fig. 6-6)
 - Réglez les adresses de réfrigérant des unités intérieures et le nombre d'unités à l'aide des boutons [F1] à [F4], puis appuyez sur le bouton [CHOIX] pour valider le réglage actuel.

<Contrôle du No. Unité intérieure>

Une pression sur le bouton [CHOIX] démarre le ventilateur de l'unité intérieure. Si l'unité est commune, ou lorsque toutes les unités tournent, les ventilateurs de toutes les unités intérieures correspondant à l'adresse de réfrigérant démarrent.

- 3 (Fig. 6-7)
 - Une fois la collecte de données terminée depuis les unités intérieures, les réglages actuels apparaissent en surbrillance. Les éléments qui ne sont pas en surbrillance indiquent qu'aucune fonction n'est réglée. L'aspect de l'écran varie en fonction du réglage "N" unité.
- 4 (Fig. 6-8)
 - Utilisez le bouton [F1] ou [F2] pour déplacer le curseur pour sélectionner la valeur du mode, puis modifiez-le à l'aide du bouton [F3] ou [F4].
- 5 (Fig. 6-9)
 - Une fois les réglages terminés, appuyez sur le bouton [CHOIX] pour transmettre les données de réglage du contrôleur à distance aux unités intérieures.
 - Une fois la transmission terminée, l'écran Réglage des fonctions réapparaît.

6. Installations électriques

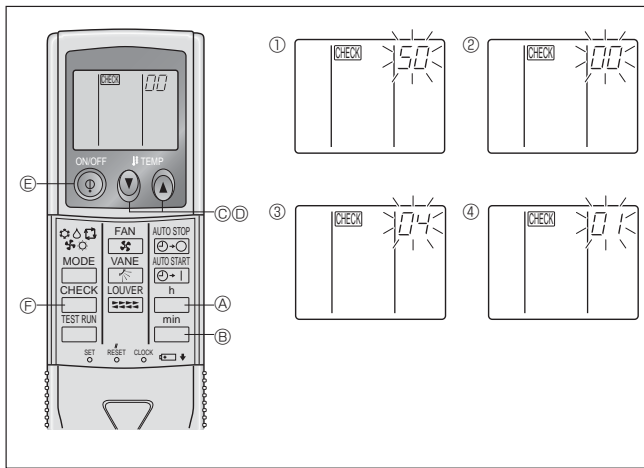


Fig. 6-10

2) Pour télécommande sans fil infrarouge. (Fig. 6-10)

Réglage de la tension d'alimentation

- Bien modifier le réglage de la tension en fonction de la tension utilisée.

① Accéder au mode de sélection des fonctions

Appuyer sur le bouton deux fois sans le relâcher.

(Commencer cette opération avec l'affichage de la télécommande sans fil infrarouge désactivé.)

est allumé est "00" clignote.

Appuyer une fois sur le bouton temp pour sélectionner le chiffre "50". Pointer la télécommande sans fil infrarouge vers le récepteur de l'appareil intérieur, puis appuyer sur le bouton .

② Réglage du numéro de l'appareil

Appuyer sur le bouton temp et pour attribuer le numéro "00" à l'appareil. Pointer la télécommande sans fil infrarouge vers le récepteur de l'appareil intérieur, puis appuyer sur le bouton .

③ Sélection d'un mode

Entrer 04 pour modifier le réglage de tension d'alimentation à l'aide des touches temp. et . Pointer la télécommande sans fil infrarouge vers le récepteur de l'appareil intérieur, puis appuyer sur le bouton .

Numéro de réglage actuel: 1 = 1 bip (une seconde)
2 = 2 bips (d'une seconde chacun)
3 = 3 bips (d'une seconde chacun)

④ Sélection du numéro de réglage

Utiliser les touches temp. et pour régler le réglage de tension d'alimentation sur 01 (230 V). Pointer la télécommande sans fil infrarouge vers le capteur de l'appareil intérieur, puis appuyer sur le bouton .

⑤ Sélection de plusieurs fonctions de manière continue

Répéter les opérations ③ et ④ pour modifier les réglages de plusieurs fonctions de manière continue.

⑥ Fin de la sélection de fonction

Pointer la télécommande sans fil infrarouge vers le capteur de l'appareil intérieur, puis appuyer sur le bouton .

Remarque:

En cas de modification des paramètres des fonctions après installation ou maintenance, veiller à indiquer les modifications par un repère dans la colonne "Réglage" du tableau des fonctions.

6.3.2. Réglage des fonctions sur la commande à distance

Consulter le mode d'emploi de l'appareil intérieur.

Tableau des fonctions

Sélectionner l'appareil numéro 00

Mode	Paramètre	No. de mode Télécommande à fil	No. de réglage	Réglage initial	Réglage
Restauration automatique après une coupure de courant	Non disponible	01	1		
	Disponible *		2	0	
Détection de la température intérieure	Moyenne de fonctionnement de l'appareil intérieur	02	1	0	
	Réglée par la télécommande de l'appareil intérieur		2		
	Détecteur interne de la télécommande à fil		3		
Connectivité LOSSNAY	Non supportée	03	1	0	
	Supportée (l'appareil intérieur n'est pas équipé d'une prise d'air extérieure)		2		
	Supportée (l'appareil intérieur est équipé d'une prise d'air extérieure)		3		
Tension d'alimentation	230 V	04	1	0	
	208 V		2		

Sélectionner les appareils numéro 01 à 03 ou tous les appareils (AL [télécommande avec fil] / 07 [télécommande sans fil])

Mode	Paramètre	No. de mode Télécommande à fil	No. de réglage	Réglage initial	Réglage
Signe du filtre	100 heures	07	1		
	2500 heures		2	0	
	Pas d'indicateur de signe du filtre		3		
Vitesse du ventilateur	Silencieux	08	1		
	Standard		2	0	
	Plafond élevé		3		
Réglage haut/bas des volets	Pas de volets	11	1		
	Équipé de volets (Réglage de l'angle des ailettes ①)		2	0	
	Équipé de volets (Réglage de l'angle des ailettes ②)		3		

* Une fois l'alimentation rétablie, le climatiseur redémarre après 3 minutes ou 1 minute (articulation sur l'appareil extérieur).

7. Marche d'essai

7.1. Avant la marche d'essai

- ▶ Lorsque l'installation, le tuyautage et le câblage des appareils intérieur et extérieur sont terminés, vérifier l'absence de fuites de réfrigérant, la fixation des câbles d'alimentation et de commande, l'absence d'erreur de polarité et contrôler qu'aucune phase de l'alimentation n'est déconnectée.
 - ▶ Utiliser un mégohm-mètre de 500V pour s'assurer que la résistance entre les bornes d'alimentation électrique et la terre soit au moins de 1,0 MΩ.
- ▶ Ne pas effectuer ce test sur les bornes des câbles de contrôle (circuit à basse tension).
- ⚠ **Avertissement:**
Ne pas utiliser le climatiseur si la résistance de l'isolation est inférieure à 1,0 MΩ.

7.2. Marche d'essai

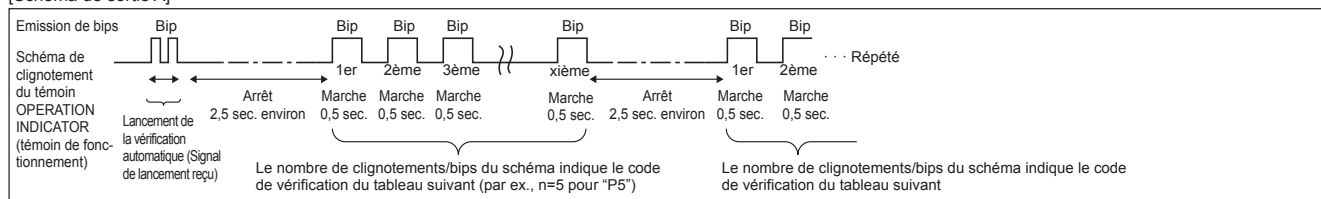
- Pour en savoir plus, consulter le manuel d'installation fourni avec chaque télécommande.

7.3. Auto-vérification

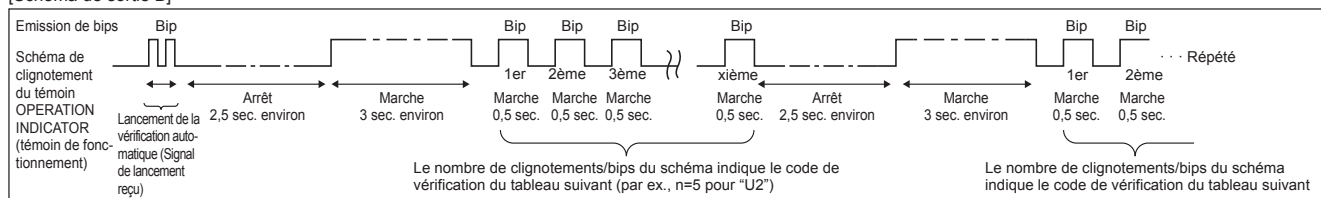
- Pour en savoir plus, consulter le manuel d'installation fourni avec chaque télécommande.
- Thermostat radiofréquence non établi.

- Consultez les tableaux suivants pour obtenir de plus amples informations sur les codes de vérification. (Télécommande sans fil infrarouge)

[Schéma de sortie A]



[Schéma de sortie B]



[Schéma de sortie A] Erreurs détectées par l'appareil intérieur

Télécommande sans fil infrarouge	Thermostat radiofréquence de télécommande à fil	Symptôme	Remarque
Emission de bips/clignotements du témoin OPERATION INDICATOR (Nombre de fois)	Code de vérification		
1	P1	Erreur du capteur d'admission	
2	P2	Erreur du capteur sur tuyaux (TH2)	
	P9	Erreur du capteur sur tuyaux (TH5)	
3	E6, E7	Erreur de communication de l'appareil intérieur/extérieur	
4	P4	Connecteur de l'interrupteur à flotteur ouvert	
5	P5	Erreur de la pompe d'écoulement	
	PA	Compresseur forcée OFF (Les fuites d'eau)	
6	P6	Fonctionnement du dispositif de protection en cas de gel/surchauffe	
7	EE	Erreur de communication entre les appareils intérieur et extérieur	
8	P8	Erreur de température des tuyaux	
9	E4	Erreur de réception du signal de la télécommande	
10	—	—	
11	PB (Pb)	Erreur du moteur de l'appareil intérieur	
12	FB (Fb)	Erreur du système de contrôle de l'appareil intérieur (erreur de mémoire, etc.)	
14	PL	Circuit de réfrigérant anormal	
Aucun son	E0, E3	Erreur de transmission de la télécommande	
Aucun son	E1, E2	Erreur du panneau du contrôleur de la télécommande	
Aucun son	----	Aucun	

7. Marche d'essai

[Schéma de sortie B] Erreurs détectées par un appareil autre que l'appareil intérieur (appareil extérieur, etc.)

Télécommande sans fil infrarouge	Thermostat radiofréquence de télécommande à fil	Symptôme	Remarque
Emission de bips/clignotements du témoin OPERATION INDICATOR (Nombre de fois)	Code de vérification		
1	E9	Erreur de communication de l'appareil intérieur/extérieur (Erreur de transmission) (Appareil extérieur)	Pour de plus amples informations, contrôlez l'écran LED du panneau du contrôleur extérieur.
2	UP	Interruption due à la surintensité du compresseur	
3	U3, U4	Circuit ouvert/court-circuit des thermistances de l'appareil extérieur	
4	UF	Interruption due à la surintensité du compresseur (Quand compresseur verrouillé)	
5	U2	Température de décharge anormalement élevée/fonctionnement de 49C/réfrigérant insuffisant	
6	U1, Ud	Pression anormalement élevée (Fonctionnement de 63H)/Fonctionnement du dispositif de protection en cas de surchauffe	
7	U5	Température anormale de la source de froid	
8	U8	Arrêt du dispositif de protection du ventilateur de l'appareil extérieur	
9	U6	Interruption due à la surintensité du compresseur/Module d'alimentation anormal	
10	U7	Surchauffe anormale due à une température de décharge basse	
11	U9, UH	Anomalies telles que surtension ou sous-tension et signal synchronisé anormal vers le circuit principal/Erreur du capteur d'intensité	
12	—	—	
13	—	—	
14	Autres	Autres erreurs (Consultez le manuel technique de l'appareil extérieur.)	

*1 Si l'émetteur de bips ne sonne plus suite aux deux bips initiaux pour confirmer que le signal de lancement de la vérification automatique a été reçu et si le témoin OPERATION INDICATOR (témoin de fonctionnement) ne s'allume pas, ceci signifie qu'aucune erreur n'a été enregistrée.

*2 Si l'émetteur de bips sonne trois fois de suite "bip, bip, bip (0,4 + 0,4 + 0,4 sec.)", après les deux bips initiaux pour confirmer que le signal de lancement de la vérification automatique a été reçu, ceci signifie que l'adresse du réfrigérant spécifié est incorrecte.

- Sur la télécommande sans fil infrarouge
La sonnerie continue est déclenchée dans la section de réception de l'appareil intérieur.
Clignotement du témoin de fonctionnement
- Sur la télécommande à fil
Code de vérification affiché à l'écran LCD.

- Si vous ne parvenez pas à faire fonctionner l'appareil correctement après avoir mené à bien le test d'essai indiqué ci-dessus, consulter le tableau suivant pour en trouver la cause éventuelle.

Symptôme		Cause
Télécommande à fil	Témoin 1, 2 (circuit de l'appareil extérieur)	
PLEASE WAIT	Pendant environ 2 minutes après la mise sous tension. LED 1 et 2 sont allumés, LED 2 s'éteint, puis seul LED 1 reste allumé (Fonctionnement correct).	Pendant environ deux minutes après la mise sous tension, il n'est pas possible d'utiliser la télécommande à cause du démarrage du système (Fonctionnement correct).
PLEASE WAIT → Code d'erreur	Après un délai d'environ deux minutes suivant la mise sous tension. Seul LED 1 est allumé. → LED 1 et 2 clignotent.	<ul style="list-style-type: none"> • Le connecteur pour le dispositif de protection de l'appareil extérieur n'est pas raccordé. • Câblage inversé ou en phase ouverte pour le bloc d'alimentation de l'appareil extérieur (L1, L2, GR)
Aucun message n'est affiché même lorsque l'interrupteur de fonctionnement est sur ON (le témoin de fonctionnement ne s'allume pas).	Seul LED 1 est allumé. → LED 1 clignote deux fois, LED 2 clignote une fois.	<ul style="list-style-type: none"> • Câblage incorrect entre les appareils intérieur et extérieur (polarité incorrecte de S1, S2, S3) • Court-circuit de la télécommande

Dans les conditions répertoriées ci-avant, le phénomène suivant se produit au niveau de la télécommande sans fil infrarouge.

- Aucun signal de la télécommande n'est accepté.
- Le témoin OPERATION clignote.
- La sonnerie émet un son court et aigu.

Remarque:

Son utilisation n'est pas possible pendant 30 secondes après l'annulation de la sélection de fonction (Fonctionnement correct).

Pour la description de chacun des témoins (LED 1, 2, 3) repris sur le contrôleur de l'appareil intérieur, se reporter au tableau suivant.

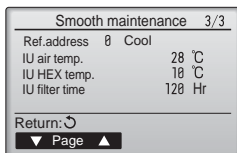
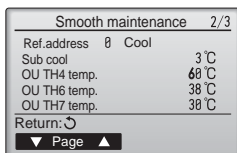
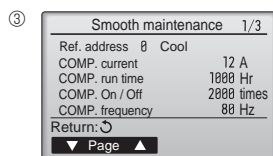
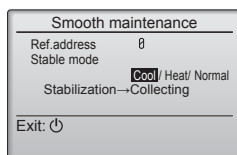
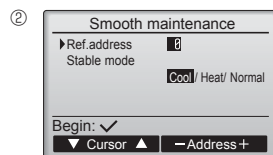
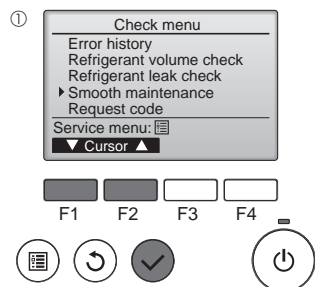
LED 1 (alimentation du micro-ordinateur)	Indique si l'alimentation est fournie au contrôleur. Ce témoin doit toujours être allumé.
LED 2 (alimentation de la télécommande)	Indique si l'alimentation est fournie à la télécommande. Ce témoin s'allume uniquement pour l'appareil intérieur raccordé à l'appareil réfrigérant extérieur dont l'adresse est "0".
LED 3 (communication entre les appareils intérieur et extérieur)	Indique l'état de communication entre les appareils intérieur et extérieur. Ce témoin doit toujours clignoter.

8. Fonction d'entretien aisé

Les données de maintenance, telles que la température de l'échangeur thermique et le courant de fonctionnement du compresseur de l'appareil intérieur/extérieur, peuvent être affichées à l'aide de la fonction "Smooth maintenance" (Entretien facile).

* Ceci ne peut pas être effectué en mode d'essai.

* En fonction de la combinaison avec l'appareil extérieur, ceci peut ne pas être pris en charge par certains modèles.



- Sélectionnez "Service" dans Main menu (menu général) puis appuyez sur la touche [CHOIX].
- Sélectionnez "Check" (Vérif.) à l'aide de la touche [F1] ou [F2] puis appuyez sur la touche [CHOIX].
- Sélectionnez "Smooth maintenance" (Entretien facile) à l'aide de la touche [F1] ou [F2] puis appuyez sur la touche [CHOIX].

Sélectionnez chaque élément

- Sélectionnez l'élément à modifier à l'aide de la touche [F1] ou [F2].
- Sélectionnez le réglage requis à l'aide de la touche [F3] ou [F4].

Réglage "Ref. address" (Adresse réf.)..... "0" - "15"

Réglage "Stable mode" (Mode stable) "Cool" (Froid) / "Heat" (Chaud) / "Normal"

- Appuyez sur la touche [CHOIX], le fonctionnement stable démarre.
- * Stable mode (mode Stable) prend environ 20 minutes.

Les données de fonctionnement apparaissent.

La durée cumulative de fonctionnement du compresseur (COMP. run) est exprimée en unités de 10 heures, et le nombre de cycles marche/arrêt (COMP. On/Off) en unités de 100 fois (sans fractions).

Naviguer dans les écrans

- Pour revenir au Menu général..... Touche [MENU]
- Pour revenir à l'écran précédent Touche [RETOUR]

Contenido

1. Medidas de Seguridad	24	5. Tubería de drenaje	28
2. Lugar en que se instalará	25	6. Trabajo eléctrico	28
3. Instalación de la unidad interior	25	7. Prueba de funcionamiento	32
4. Instalación de los tubos del refrigerante	27	8. Función de mantenimiento fácil	34

1. Medidas de Seguridad

- ▶ Antes de instalar la unidad, asegúrese de haber leído el capítulo de “Medidas de seguridad”.
- ▶ Informe al encargado del suministro u obtenga su consentimiento antes de conectar este equipo al sistema de suministro de alimentación.

⚠ Atención:

Describe las precauciones que deben tenerse en cuenta para evitar el riesgo de lesiones o muerte del usuario.

⚠ Cuidado:

Describe las precauciones que deben tenerse en cuenta para evitar daños en la unidad.

⚠ Atención:

- La instalación del aire acondicionado debe correr a cargo del distribuidor o técnico autorizado.
- Para la instalación, siga las instrucciones del Manual de instalación y utilice las herramientas y piezas de fontanería específicamente diseñadas para utilizar con el refrigerante especificado en el manual de instalación de la unidad exterior.
- La unidad debe instalarse según las instrucciones para reducir posibles daños en caso de terremoto, huracán o vientos fuertes. Si no se instala correctamente, la unidad podría caerse y provocar daños o lesiones.
- La unidad debe instalarse firmemente sobre una estructura capaz de soportar su peso.
- Si el equipo de aire acondicionado se instala en una sala pequeña deberán tomarse medidas para prevenir que la concentración de refrigerante exceda los límites de seguridad en caso de fugas. Si se produce una fuga de refrigerante que sobrepase los límites de concentración, la estancia en la sala puede ser peligrosa por falta de oxígeno.
- Si se produce una fuga de refrigerante durante el funcionamiento, ventile la sala. Si el refrigerante entra en contacto con una llama, se desprenderán gases nocivos.
- Todas las conexiones eléctricas deberán ser realizadas por un técnico cualificado según la normativa local y las instrucciones de este manual.

Después de terminar la instalación, explique las “Medidas de Seguridad”, funcionamiento y mantenimiento de la unidad al cliente según el Manual de instrucciones y realice una prueba para asegurarse de que funciona correctamente. Entregue una copia del Manual de instalación y del Manual de instrucciones al usuario. Estos manuales deben pasar a usuarios posteriores del equipo.

⚡ : Indica una pieza que debe estar conectada a tierra.

⚠ Atención:

Lea atentamente las etiquetas adheridas a la unidad principal.

- Utilice sólo cables especificados para el cableado.
- El panel de la cubierta del bloque de terminales de la unidad debe colocarse firmemente.
- Utilice sólo accesorios autorizados por Mitsubishi Electric y pida a su distribuidor o a un técnico autorizado que se los instale.
- El usuario nunca debe intentar reparar la unidad o moverla de sitio.
- Tras haber realizado la instalación, compruebe si hay fugas de refrigerante. Si en caso de fuga el refrigerante entra en contacto con las llamas de un calentador o de un equipo de cocina portátil, se desprenderán gases nocivos.
- Cuando instale, mueva o revise el equipo de aire acondicionado, utilice solo el refrigerante indicado (R410A) para cargar los tubos del refrigerante. No lo mezcle con otro tipo de refrigerante y vacíe completamente de aire los tubos. Si el aire se mezcla con el refrigerante, podría producir una tensión anormalmente alta en el tubo del refrigerante y ocasionar una explosión u otros peligros.
- Usar un refrigerante distinto al indicado para el sistema provocará un fallo mecánico, un funcionamiento defectuoso del sistema o la avería de la unidad. En el peor de los casos, podría suponer un grave impedimento para garantizar la seguridad del producto.

1.1. Cuestiones previas a la instalación (Ambiente)

⚠ Cuidado:

- No utilice la unidad en un ambiente enrarecido. Si instala el aire acondicionado en áreas expuestas al vapor, aceite esencial (incluyendo el aceite para máquinas), o humo sulfúrico, áreas con alto contenido en sal como playas, el rendimiento puede verse reducido significativamente y las piezas internas pueden dañarse.
- No instale la unidad donde se puedan verter, producir, circular o acumular gases inflamables. Si se acumula gas inflamable en zonas próximas a la unidad, se podría producir un incendio o una explosión.
- No coloque alimentos, plantas, animales, obras de arte o instrumentos de precisión en la salida de aire directa de la unidad exterior o demasiado cerca de ella, ya que los cambios de temperatura o el agua que gotea podrían dañarlos.

- Cuando la humedad de la habitación supera el 80%, o cuando el tubo de drenaje esté obstruido, puede gotear agua de la unidad interior. No instale la unidad interior en lugares donde el goteo pueda causar daños.
- Si instala la unidad en un hospital o en un centro de comunicaciones, recuerde que la unidad produce ruidos e interferencias electrónicas. Los conmutadores, aparatos domésticos, equipos médicos de alta frecuencia y las comunicaciones de radio pueden provocar un mal funcionamiento o la avería del equipo de aire acondicionado. El equipo de aire acondicionado también puede afectar los equipos médicos e interrumpir los cuidados médicos, así como los equipos de comunicación y dañar la calidad de la pantalla.

1.2. Antes de la instalación o reubicación

⚠ Cuidado:

- Tenga mucho cuidado cuando mueva las unidades. Se necesitan dos o más personas para llevar la unidad ya que pesa 20 kg, 44 lbs o más. No la sujete por las bandas de embalaje. Utilice guantes protectores ya que se podría lesionar con las aletas u otras partes.
- Guarde los embalajes en un lugar seguro. Los materiales de embalaje, como clavos y otras piezas de metal o de madera pueden producir pinchazos y otras lesiones.
- El tubo de refrigerante debe estar aislado térmicamente para evitar la condensación. Si el tubo de refrigerante no se aísla correctamente, se formará condensación.

- Sitúe material aislante térmico en las tuberías para evitar la condensación. Si el tubo de drenaje no se instala correctamente, se puede producir un escape de agua o daños en el techo, suelo, muebles u otros objetos.
- No limpie con agua el equipo de aire acondicionado. Puede sufrir una descarga eléctrica.
- Apriete las tuercas de abocardado a los niveles especificados mediante una llave dinamométrica. Si las aprieta demasiado, se pueden romper el cabo de un tiempo.

1.3. Antes de la instalación eléctrica

⚠ Cuidado:

- Asegúrese de instalar disyuntores. Si no se instalan, se podrían producir descargas eléctricas.
- Use cables estándar de suficiente capacidad para las líneas eléctricas. Si no lo hace así, se podría producir un cortocircuito, un sobrecalentamiento o un incendio.
- Cuando instale las líneas eléctricas, los cables no deben tener corriente.

- Asegúrese de instalar una toma de tierra. Si la unidad no está bien conectada a la línea de tierra, se puede producir una descarga eléctrica.
- Utilice disyuntores (interruptor de falta de tierra, interruptor aislante (+fusable B) e interruptores en caja moldeada) con la potencia especificada. Si la potencia del interruptor es mayor que la especificada, puede ocurrir un incendio o una avería.

1.4. Antes de realizar las pruebas de funcionamiento

⚠ Cuidado:

- Conecte la corriente al menos 12 horas antes de que empiece a funcionar el equipo. Si se acciona inmediatamente después de haberlo conectado a la corriente, pueden producirse daños graves en las piezas internas.
- Antes de que comience a funcionar el equipo, compruebe que todos los paneles y protectores están instalados correctamente. Las piezas giratorias, calientes o de alto voltaje pueden provocar lesiones.
- No haga funcionar el equipo de aire acondicionado sin el filtro de aire instalado. Si el filtro de aire no está colocado, se puede acumular el polvo y se

- puede averiar el equipo.
- No toque ningún interruptor con las manos mojadas. Puede sufrir una descarga eléctrica.
- No toque la tubería del refrigerante sin guantes mientras durante el funcionamiento.
- Una vez deje de funcionar el aparato, espere cinco minutos antes de apagar el interruptor principal. De lo contrario, se puede producir un goteo de agua o una avería.

2. Lugar en que se instalará

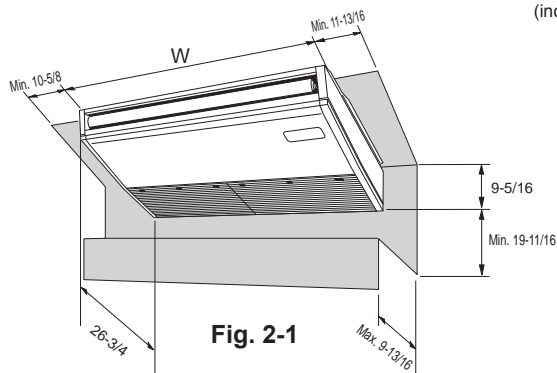


Fig. 2-1

(inch)

2.1. Dimensiones exteriores (Unidad interior) (Fig. 2-1)

Seleccione una posición adecuada, de forma que queden las siguientes distancias para proceder a la instalación y al mantenimiento.

Modelos	W
A24, 30	50-3/8
A36, 42	63

⚠ Atención:

Instale la unidad interior en un techo suficientemente fuerte para soportar el peso de la unidad.

2.2. Dimensiones exteriores (Unidad exterior)

Refer to the outdoor unit installation manual.

3. Instalación de la unidad interior

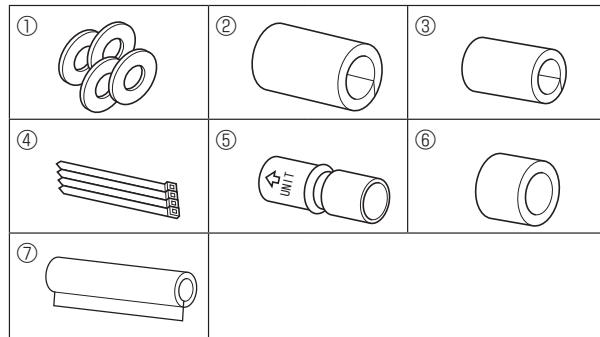


Fig. 3-1

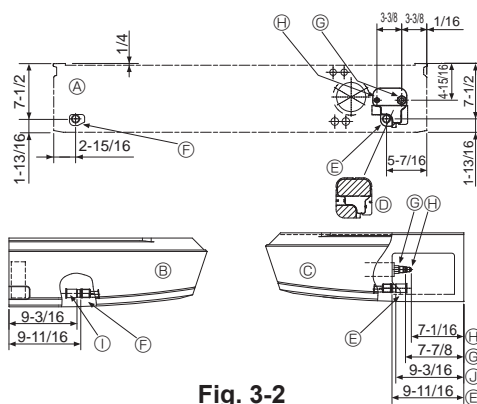
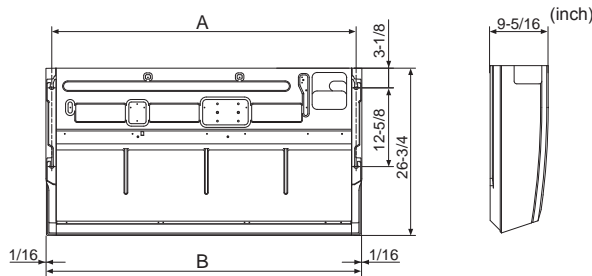


Fig. 3-2

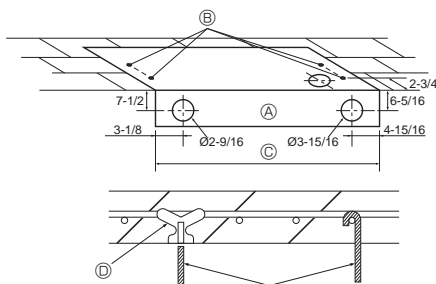


Fig. 3-3

3.1. Comprobación de los accesorios de la unidad interior (Fig. 3-1)

La unidad interior debe ir acompañada de las siguientes piezas de repuesto y accesorios (estos componentes deben encontrarse en el interior de la rejilla de admisión).

	Nombre accesorio	Cant.
①	Arandelas	4
②	Tapón de tubería	1 Tamaño grande (para la tubería del gas)
③	Tapón de tubería	1 Tamaño pequeño (para la tubería del líquido)
④	Bandas	4
⑤	Adaptador de junta	1 marcado "UNIT"
⑥	Tapón para el adaptador	1
⑦	Tapón para la tubería de drenaje	1

3.2. Preparación para la instalación (Fig. 3-2)

3.2.1. Determinación de las posiciones de instalación de los pernos de suspensión

Modelos	A	B
A24,30	48-11/16	50-3/8
A36,42	61-5/16	63

3.2.2. Ubicación de los tubos de refrigerante y drenaje

- Ⓐ Salida de aire frontal
- Ⓑ Salida de aire lateral izquierda
- Ⓒ Salida de aire lateral derecha
- Ⓓ Pieza independiente (extraíble)
- Ⓔ Tubería de drenaje derecha
- Ⓕ Tubería de drenaje izquierda
- Ⓖ Tubería del gas
- Ⓗ Tubería del líquido
- Ⓚ Tapón de caucho
- Ⓛ con adaptador de junta

Al colocar la tubería trasera, asegúrese de retirar las porciones sombreadas de la pieza independiente. A continuación, vuelva a colocar la pieza independiente en la posición original.

(El intercambiador de calor puede haberse obstruido a causa del polvo)

3.2.3. Selección de las posiciones de los tubos y de los pernos de suspensión (Fig. 3-3)

⚠ Precaución:

Instale la unidad interior como mínimo 8 ft. (2,4m) por encima del nivel del suelo. El consumidor medio no puede acceder a estos aparatos eléctricos.

Usando la plantilla de papel que se suministra para hacer la instalación, seleccione la posición adecuada para los pernos de suspensión y para los tubos y haga los orificios correspondientes.

- Ⓐ Plantilla de papel
- Ⓑ Orificio para el perno de suspensión
- Ⓒ Ancho de la unidad interior

Asegure los pernos de suspensión o utilice anclajes angulares o armazones de madera escuadrados para la instalación de los pernos.

- Ⓓ Use insertos de 220 a 230 lbs (100 a 105 kg) cada uno.
- Ⓔ Use pernos de suspensión de tamaño W3/8 o M10 cada uno.

3. Instalación de la unidad interior

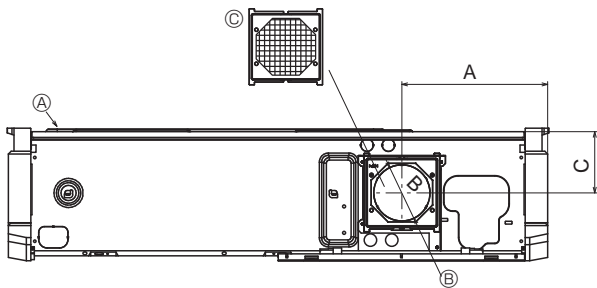


Fig. 3-4

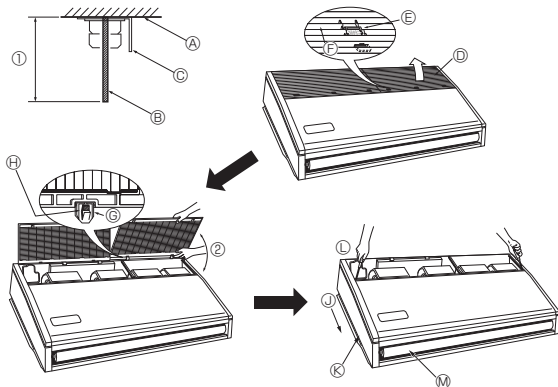


Fig. 3-5

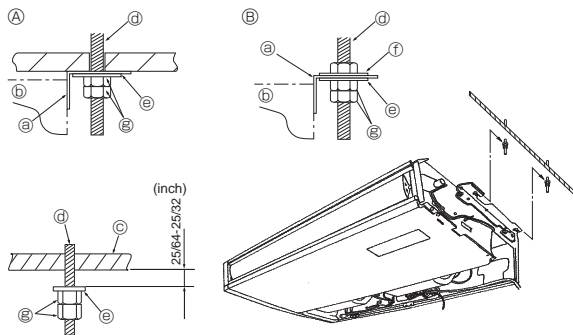


Fig. 3-6

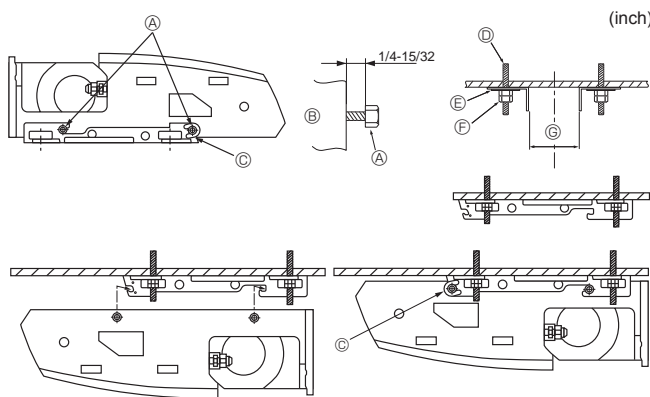


Fig. 3-7

3.2.4. Orificio de entrada de aire fresco (Fig. 3-4)

En el momento de la instalación, utilice los orificios (desmontables) situados en las posiciones mostradas en el diagrama siguiente, cuando sea necesario.

- Ⓐ Unidad interior
- Ⓑ Orificio de entrada de aire fresco (orificio desmontable)
- Ⓒ Filtro

in. (mm)		
A	B	C
10-3/16 (259,5)	∅ 3-15/16 (∅ 100)	4-5/16 (109)

3.2.5. Preparación de la unidad interior (Fig. 3-5)

1. Instale los pernos de suspensión. (Adquiera pernos W3/8 o M10)
Determine la distancia que dejará hasta el techo (Ⓐ con un margen de 3-15/16 in. (100 mm)).
Ⓐ Superficie del techo Ⓑ Perno de suspensión Ⓒ Soporte de suspensión
2. Quite la rejilla de admisión
Tire hacia atrás de las 2 (3) pestañas de las rejilla de admisión para que pueda abrirla.
3. Quite el panel lateral
Quite el panel lateral sacando los tornillos (uno a cada lado, a la izquierda y a la derecha) y tirando del panel lateral hacia afuera.
Ⓓ Rejilla de admisión Ⓔ Tire del panel lateral hacia afuera
Ⓔ Pestaña de sujeción de la rejilla Ⓕ Panel lateral
Ⓕ Deslizar Ⓖ Retire los tornillos para quitar el panel lateral.
Ⓖ Bisagra Ⓗ Retire el vinilo protector de la aleta.
Ⓗ Empuje la bisagra para sacar la rejilla.
Ⓘ Si fuerza la rejilla de entrada al abrirla o si la abre a un ángulo superior a 120° podría dañar las bisagras.

3.3. Instalación de la unidad interior (Fig. 3-6)

Dependiendo de si el techo tiene materiales de adorno o no, use el método de suspensión más adecuado según se indica a continuación.

- Ⓐ En caso de que haya materiales de adorno Ⓒ Techo
- Ⓑ Ausencia de materiales de adorno Ⓓ Perno de suspensión
- Ⓒ Soporte de suspensión Ⓔ Arandela Ⓚ
- Ⓓ Unidad Ⓕ Arandela (no suministrada)
- Ⓔ Tuercas dobles

1) Suspensión directa de la unidad

Procedimientos de instalación

1. Instale la arandela Ⓚ (suministrada con la unidad) y las tuercas (no suministrada).
2. Monte (enganche) la unidad por medio de los pernos de suspensión.
3. Apriete las tuercas.

Comprobación de las condiciones de instalación de la unidad.

- Compruebe que la unidad haya quedado en posición horizontal de izquierda a derecha.
- Compruebe que la parte delantera y trasera de los soportes de suspensión se encuentran completamente horizontales.
(Para mantener un buen drenaje, la unidad queda inclinada en los soportes de suspensión. La unidad se inclina continuamente hacia abajo desde la parte delantera a la trasera, siendo está la posición correcta de instalación.)

2) Instalación en el techo, en primer lugar, del soporte de sujeción (Fig. 3-7)

Procedimientos de instalación

1. Retire los soportes de suspensión y las arandelas en forma de U de la unidad.
2. Ajuste los pernos de sujeción del soporte de suspensión en la unidad.
3. Sujete los soportes de suspensión a los pernos correspondientes.
4. Compruebe que los soportes de suspensión se encuentran completamente horizontales (desde la parte delantera a la trasera / desde la parte derecha a la izquierda).
5. Monte (enganche) la unidad en los soportes de suspensión.
6. Apriete saetas fijas de los soportes de suspensión.

* Asegúrese de instalar las arandelas en forma de U.

- Ⓐ Perno de sujeción del soporte de suspensión
- Ⓑ Unidad
- Ⓒ arandela en forma de U
- Ⓓ Perno de suspensión
- Ⓔ Arandela Ⓚ
- Ⓕ Tuercas dobles

(inch)	
Ⓒ A24,30	47 - 5/16
Ⓒ A36,42	59 - 7/8

4. Instalación de los tubos del refrigerante

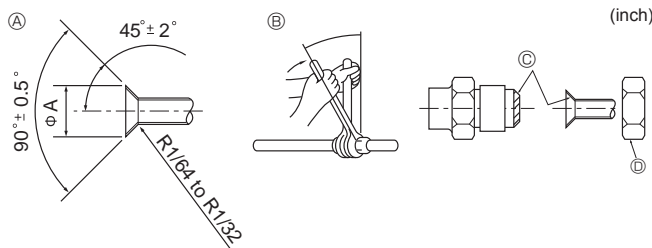


Fig. 4-1

Ⓐ Dimensiones del corte abocinado in. (mm)

Tubo de cobre O.D.	Dimensiones de abocinado dimensiones ϕA
1/4" ($\phi 6,35$)	11/32-23/64 (8,7 - 9,1)
3/8" ($\phi 9,52$)	1/2-33/64 (12,8 - 13,2)
1/2" ($\phi 12,7$)	41/64-21/32 (16,2 - 16,6)
5/8" ($\phi 15,88$)	49/64-25/32 (19,3 - 19,7)
3/4" ($\phi 19,05$)	29/32-59/64 (22,9 - 23,3)

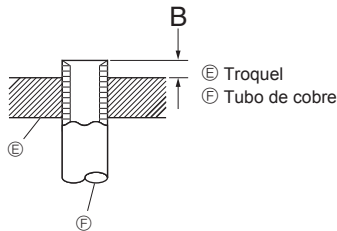


Fig. 4-2

Tubo de cobre O.D.	B	
	Herramienta abocinada para R410A	
	Tipo gancho	
1/4" ($\phi 6,35$)	0-1/64 (0 - 0,5)	
3/8" ($\phi 9,52$)	0-1/64 (0 - 0,5)	
1/2" ($\phi 12,7$)	0-1/64 (0 - 0,5)	
5/8" ($\phi 15,88$)	0-1/64 (0 - 0,5)	
3/4" ($\phi 19,05$)	0-1/64 (0 - 0,5)	

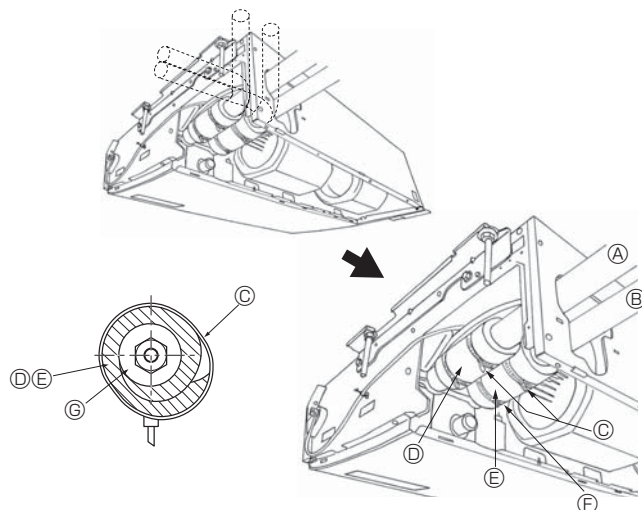


Fig. 4-3

4.1. Precauciones

Para aparatos con refrigerante R410A

- Utilice aceite de éster, de éter o alquilobenceno (en pequeñas cantidades) para recubrir las secciones abocardadas.
- Utilice tubos de cobre fosforoso del tipo C1220 y tubos de aleación de cobre sin costuras para conectar los tubos del refrigerante. Utilice tuberías para refrigerante del grosor especificado en la tabla siguiente. Asegúrese de que el interior de las tuberías está limpio y que no contienen ningún contaminante nocivo como compuestos sulfúricos, oxidantes, restos o polvo.

⚠ Atención:

Cuando instale, mueva o revise el equipo de aire acondicionado, utilice solo el refrigerante indicado (R410A) para cargar los tubos del refrigerante. No lo mezcle con otro tipo de refrigerante y vacíe completamente de aire los tubos. Si el aire se mezcla con el refrigerante, podría producir una tensión anormalmente alta en el tubo del refrigerante y ocasionar una explosión u otros peligros.

Usar un refrigerante distinto al indicado para el sistema provocará un fallo mecánico, un funcionamiento defectuoso del sistema o la avería de la unidad. En el peor de los casos, podría suponer un grave impedimento para garantizar la seguridad del producto.

	in. (mm)
	A24, 30, 36, 42
Tubo de líquido	3/8" ($\phi 9,52$) grosor 1/32" (0,8)
Tubo de gas	5/8" ($\phi 15,88$) grosor 3/64" (1,0)

- No utilice tubos con un grosor menor del especificado a continuación.

4.2. Tubos de conexión (Fig. 4-1)

- Si se utilizan tubos de cobre convencionales, envuelva los tubos de gas y líquido con materiales aislantes (resistente al calor hasta 212°F (100 °C) o más, espesor de 1/2 in. (12 mm) o más).
- Las piezas interiores del tubo de drenaje tienen que estar envueltas en materiales aislantes de espuma de polietileno (gravedad específica de 0,03 y espesor de 23/64 in. (9 mm) o más).
- Aplique una capa delgada de aceite refrigerante a la superficie tubo y de la junta de asiento antes de apretar la tuerca de abocardado.
- Utilice dos llaves de apriete para apretar las conexiones de los tubos.
- Utilice el aislante de tubería de refrigerante suministrado para aislar las conexiones de la unidad interior. Realice los aislamientos con cuidado.

Ⓢ Torsión de apriete de la tuerca abocardada

Tubo de cobre O.D. (mm, inch)	Tuerca de abocardado O.D. (mm, inch)	Torsión de apriete (N-m, ft.lbs)
$\phi 6,35$, 1/4	17, 43/64	14-18, 10-13
$\phi 6,35$, 1/4	22, 7/8	34-42, 25-30
$\phi 9,52$, 3/8	22, 7/8	34-42, 25-30
$\phi 12,7$, 1/2	26, 1-3/64	49-61, 35-44
$\phi 12,7$, 1/2	29, 1-9/64	68-82, 49-59
$\phi 15,88$, 5/8	29, 1-9/64	68-82, 49-59
$\phi 15,88$, 5/8	36, 1-27/64	100-120, 71-86
$\phi 19,05$, 3/4	36, 1-27/64	100-120, 71-86

Ⓢ Aplique aceite refrigerante para máquinas en toda la superficie abocinada.

Ⓢ Utilice tuercas abocardadas que coincidan con el tamaño de la tubería de la unidad exterior.

4.3. Unidad interior (Fig. 4-3)

Procedimientos de instalación

1. Ponga el tapón 2 que se adjunta sobre la tubería del gas hasta que presione contra la placa metálica que hay dentro de la unidad.
2. Ponga el tapón 3 que se adjunta sobre la tubería del líquido hasta que presione contra la placa metálica que hay dentro de la unidad.
3. Sujete los tapones ② y ③ en ambos extremos 3/4 in. (20 mm) con las bandas proporcionadas ④.

- Ⓐ Tubería del gas
- Ⓑ Tapón de tubería ③
- Ⓒ Tubería del líquido
- Ⓓ Apriete el tapón de la tubería contra la placa metálica.
- Ⓔ Banda ④
- Ⓕ Material aislante contra el calor de la tubería refrigerante
- Ⓖ Tapón de tubería ②

4.4. Para combinaciones dobles/triples

Consulte el manual de instalación de la unidad exterior.

5. Tubería de drenaje

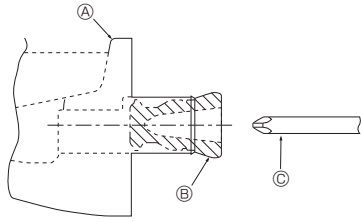


Fig. 5-1

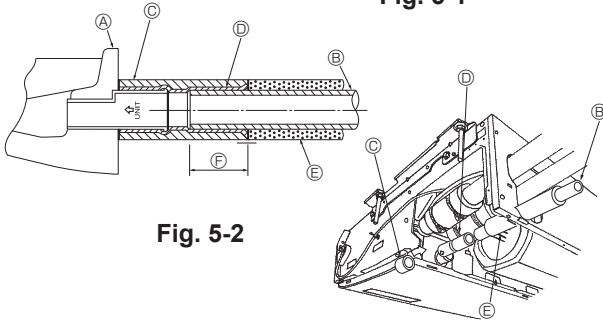


Fig. 5-2

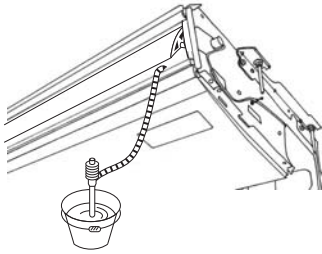


Fig. 5-3

- Para instalar la tubería del lado izquierdo, asegúrese que ha colocado el tapón de caucho en la abertura del lado derecho. (Fig. 5-1)
- Utilice VP20 (tubo de PVC de $\varnothing 26$, 1 inch) para el tubo de drenaje y prevea una pendiente de descenso de 1/100 o más.
- Cuando haya acabado, compruebe la salida del tubo de drenaje para asegurarse de que se realiza de forma correcta.

- Ⓐ Depósito de drenaje
- Ⓑ Tapón
- Ⓒ Inserte la llave, etc. completamente dentro del tapón.

Procedimientos de instalación (Fig. 5-2)

1. Sujete el adaptador de junta ⑤ que se suministra con la unidad en la abertura de drenaje con cinta plástica adhesiva.
2. Asegure el tapón del adaptador ⑥, que se suministra con la unidad, en el adaptador de la junta ⑤.
3. Conecte el tubo de drenaje (VP-20) al adaptador de junta ⑤ con cinta adhesiva plástica.
4. Enrosque el tapón ⑦ del tubo de drenaje suministrado con la unidad. (Tapando la junta)

- Ⓐ Depósito de drenaje
- Ⓑ Tubo de drenaje
- Ⓒ Tapón del adaptador ⑥
- Ⓓ Adaptador de junta ⑤
- Ⓔ Tapón del tubo de drenaje ⑦
- Ⓕ Longitud de inserción 1-15/32 in. (37mm)

5. Comprobación de un drenaje correcto. (Fig. 5-3)

* Llene el depósito de drenaje con 1 litro de agua aproximadamente vertida desde la salida de aire.

6. Trabajo eléctrico

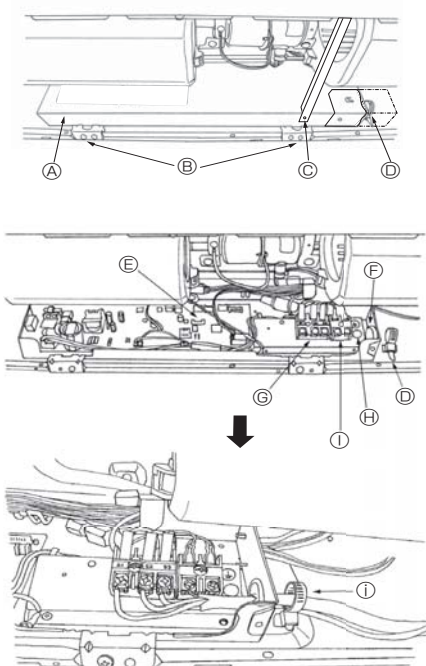


Fig. 6-1

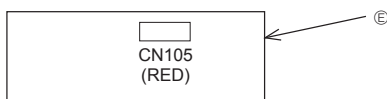


Fig. 6-2

6.1. Cableado eléctrico (Fig. 6-1)

Procedimientos de cableado

1. Retire el tornillo ③ y a continuación extraiga la barra.
2. Extraiga los (2) tornillos ② y saque la cubierta ④ de la parte eléctrica.
3. <Para el controlador remoto cableado>
Conecte firmemente los cables eléctricos a sus terminales correspondientes (Fig. 6-1)
4. Vuelva a poner las piezas previamente retiradas.
5. Ate los cables con la abrazadera que hay en el lado derecho de la caja eléctrica.

- Ⓐ Tapa
- Ⓑ Tornillos (2 piezas)
- Ⓒ Tornillos (Viga)
- Ⓓ Prensaestopas
- Ⓔ Placa del controlador interior
- Ⓕ Entrada para servicio de los cables
- Ⓖ Bloque de terminales para la conexión de las unidades interior y exterior
- Ⓖ Conector del cable de tierra
- Ⓖ Bloque de terminales para el controlador remoto cableado
- Ⓖ Asegurar con el prensaestopas.

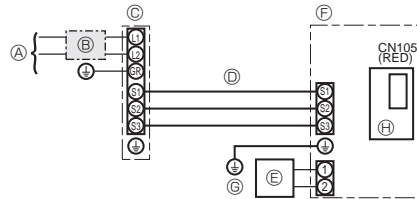
6. Trabajo eléctrico

6.1.1. Alimentación de la unidad interior suministrada por la unidad exterior

Están disponibles los siguientes patrones de conexión.

Los patrones de la fuente de alimentación de la unidad exterior varían en función del modelo.

Sistema 1:1



- Ⓐ Alimentación de la unidad exterior
- Ⓑ Disyuntor de cableado o interruptor aislante
- Ⓒ Unidad exterior
- Ⓓ Cables de conexión de la unidad interior/unidad exterior
- Ⓔ Controlador remoto cableado (Piezas opcionales)
- Ⓕ Unidad interior
- Ⓖ Cable a tierra de la unidad interior
- Ⓗ Placa del controlador interior

* Coloque una de las etiquetas A incluidas con los manuales cerca de cada esquema de cableado de las unidades interiores y exterior.

Modelo de la unidad interior		PCA-A24,30	PCA-A36, 42
Amperaje mínimo del circuito		1A	2A
Capacidad máxima del dispositivo de protección contra sobrecorriente		15A	
Cableado Cable n° x tamaño	Unidad interior-unidad exterior *1	3 × AWG14 (polar)	
	Cable a tierra de la unidad interior	1 × Min. AWG14	
	Controlador remoto cableado-Unidad interior *2	2 × AWG22 (Sin polaridad, no blindado)	
Rango del circuito	Unidad interior-unidad exterior S1-S2 *3	208/230 V CA	
	Unidad interior-unidad exterior S2-S3 *3	24 V CC	
	Controlador remoto cableado-Unidad interior *3	12 V CC	

*1. Máx. 50 m, 165 ft

*2. Máx. 500 m, 1640 ft (Para dos controladores remotos cableados: máx. 200 m, 656 ft)

*3. Los valores NO siempre se aplican a la toma a tierra.

El terminal S3 dispone de 24 V CC frente al terminal S2. Entre S3 y S1, estos terminales no están aislados eléctricamente por el transformador u otro dispositivo.

- Notas:**
1. El diámetro de los cables debe cumplir la normativa local y nacional.
 2. Utilice cables de cobre.
 3. Utilice cables con un régimen nominal de 600 V o superior para los cables de la fuente de alimentación y los cables de conexión de las unidades interior/exterior.
 4. Instale un cable de toma de tierra más largo que el resto de los cables.

6.2. Control remoto (Piezas opcionales)

6.2.1. Para el controlador remoto cableado

1) Ajuste de dos controladores remotos cableados

Si se conectan dos controladores remotos cableados, defina uno como "Principal" y el otro como "Subordinado". Para conocer los procedimientos de ajuste, consulte "Selección de función" en el manual de instrucciones de la unidad interior.

Nota:

Cuando conecte dos controladores remotos, asegúrese de utilizar el mismo modelo de controlador remoto.

6. Trabajo eléctrico

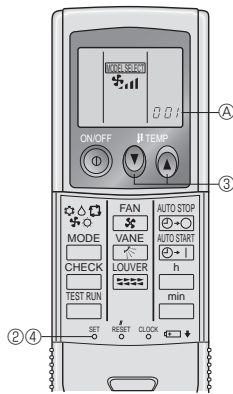


Fig. 6-3

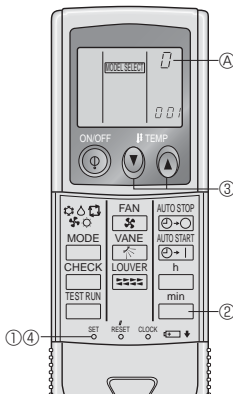


Fig. 6-4

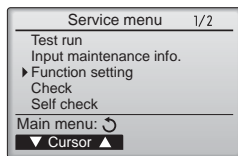


Fig. 6-5

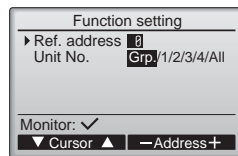


Fig. 6-6

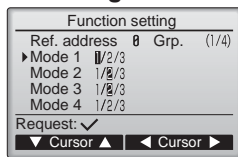


Fig. 6-7

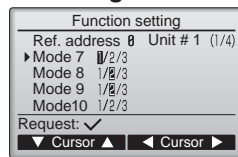


Fig. 6-8

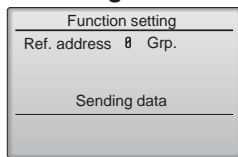


Fig. 6-9

6.2.2. Para el controlador remoto inalámbrico por infrarrojos

1) Zona de instalación

- El controlador remoto inalámbrico por infrarrojos no debe quedar expuesto a luz solar directa.
- No debe estar cerca de fuentes de calor.
- No debe exponerse a corrientes de aire frío (o caliente).
- Debe colocarse donde pueda manejarse con facilidad.
- Debe estar fuera del alcance de los niños.

2) Preparación inicial (Fig. 6-3)

- 1) Introduzca las pilas.
- 2) Pulse el botón SET con algún objeto puntiagudo.
El mensaje **MODEL SELECT** parpadea y se resalta el número de modelo (Model No.).
- 3) Pulse el botón \odot \odot para seleccionar el número de modelo.
Si se ha equivocado al efectuar la operación, pulse el botón ON/OFF \odot y vuelva a empezar desde el procedimiento 3).
- 4) Pulse el botón SET con algún objeto puntiagudo.
Los datos **MODEL SELECT** y el número de modelo se iluminan durante tres segundos y a continuación desaparecen.

Interior	Exterior	Ⓐ Número de modelo
PCA	PUZ	001
	PUY	033

3) Asignación de un controlador remoto inalámbrico por infrarrojos a cada unidad

Cada unidad responderá sólo a las señales del controlador remoto inalámbrico por infrarrojos asignado. Cerciórese de que cada par de placa de PC de la unidad interior y controlador remoto inalámbrico por infrarrojos estén asignados al mismo número de par.

4) Procedimiento para establecer el número del par en el mando a distancia (Fig. 6-4)

- 1) Pulse el botón SET con algún objeto puntiagudo.
Inicie esta operación cuando la pantalla del controlador remoto inalámbrico por infrarrojos esté apagada.
El mensaje **MODEL SELECT** parpadeará y se iluminará el número de modelo (Model No.).
- 2) Pulse el botón \square dos veces seguidas.
El número "0" parpadeará.
- 3) Pulse el botón temp \odot \odot para seleccionar el número del par deseado.
Si se ha equivocado al efectuar la operación, pulse el botón ON/OFF \odot y vuelva a empezar desde el procedimiento 2).
- 4) Pulse el botón SET con algún objeto puntiagudo.
El número del par seleccionado se enciende durante tres segundos y luego se apaga.

Ⓐ Número de par en el controlador remoto inalámbrico por infrarrojos	Tarjeta PC interior
0	Ajuste de fábrica
1	Cut J41
2	Cut J42
3-9	Cut J41, J42

6.3. Ajuste de funciones

6.3.1. Ajuste de funciones en la unidad (selección de funciones de la unidad)

1) Para el controlador remoto cableado

- 1) (Fig. 6-5)
 - Seleccione "Service" (Revisión) desde el Menú principal, y pulse el botón [ACEPTAR].
 - Seleccione "Function settings" (Configuración de funciones) con el botón [F1] o [F2], y pulse el botón [ACEPTAR].
- 2) (Fig. 6-6)
 - Establezca las direcciones del refrigerante de la unidad interior y los números de unidad con los botones [F1] a [F4] y luego pulse el botón [ACEPTAR] para confirmar el ajuste actual.

<Comprobar la Unidad interior n°>

Cuando se pulse el botón [ACEPTAR], empezará a funcionar el ventilador de la unidad interior. Si la unidad es común o si están funcionando todas las unidades, empezará a funcionar el ventilador de todas las unidades interiores para la dirección de refrigerante seleccionada.

- 3) (Fig. 6-7)
 - Una vez completada la recopilación de datos de las unidades interiores, aparecen resaltados los ajustes actuales. Los elementos sin resaltar indican que no se ha realizado ninguna configuración de funciones. El aspecto de la pantalla varía en función de la configuración de "N° Unid".
- 4) (Fig. 6-8)
 - Utilice el botón [F1] o [F2] para mover el cursor y seleccionar el número de modo, y cambie el número de ajuste con el botón [F3] o [F4].
- 5) (Fig. 6-9)
 - Una vez completados los ajustes, pulse el botón [ACEPTAR] para enviar los datos de configuración del controlador remoto a las unidades interiores.
 - Una vez completada la transmisión, se volverá a la pantalla Configuración de funciones.

6. Trabajo eléctrico

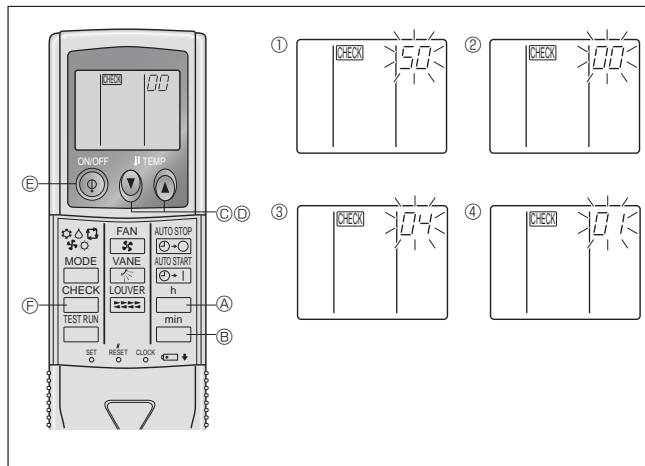


Fig. 6-10

2) Para el controlador remoto inalámbrico por infrarrojos (Fig. 6-10)

Cambio del ajuste de voltaje de alimentación

• Asegúrese de cambiar el ajuste de voltaje de alimentación de acuerdo al voltaje que utilice.

① Vaya al modo de selección de función

Pulse el botón dos veces seguidas.

(Inicie el procedimiento con la pantalla de estado del controlador remoto inalámbrico por infrarrojos apagada). se enciende y "00" parpadea.

Pulse el botón TEMP una vez para seleccionar "50". Apunte el controlador remoto inalámbrico por infrarrojos hacia el receptor de la unidad interior y pulse el botón .

② Configuración del número de unidad

Pulse el botón TEMP y para seleccionar el número de unidad "00". Apunte el controlador remoto inalámbrico por infrarrojos hacia el receptor de la unidad interior y pulse el botón .

③ Cómo seleccionar un modo

Introduzca 04 para cambiar el ajuste de voltaje de alimentación con los botones TEMP y . Apunte el controlador remoto inalámbrico por infrarrojos hacia el receptor de la unidad interior y pulse el botón .

Número de configuración en uso: 1 = 1 pitido (un segundo)

2 = 2 pitidos (de un segundo cada uno)

3 = 3 pitidos (de un segundo cada uno)

④ Selección del número de ajuste

Utilice los botones TEMP y para cambiar el ajuste del voltaje de alimentación a 01 (230 V). Apunte el controlador remoto inalámbrico por infrarrojos hacia el sensor de la unidad interior y pulse el botón .

⑤ Para seleccionar múltiples funciones sucesivamente

Repita los pasos ③ y ④ para cambiar de manera sucesiva la configuración de funciones múltiples.

⑥ Para seleccionar la función completa

Apunte el controlador remoto inalámbrico por infrarrojos hacia el receptor de la unidad interior y pulse el botón .

Nota:

Cada vez que se realicen cambios en los ajustes de función después de la instalación o mantenimiento, asegúrese de anotar los cambios con un cruz en la columna "Ajuste" de la tabla de funciones.

6.3.2. Ajuste de funciones en el controlador remotot

Consulte el manual de instrucciones de la unidad interior.

Tabla de funciones

Seleccione el número de unidad 00

Modo	Ajustes	N.º de modo		Configuración inicial	Ajuste
		Controlador remoto cableado	Núm. de ajuste		
Recuperación automática de fallo de alimentación	No disponible	01	1	O	
	Disponibile		2		
Detección de la temperatura de la sala	Media de funcionamiento de la unidad interior	02	1	O	
	Ajustada por el control remoto de la unidad interior		2		
	Sensor interno del control remoto cableado		3		
Conectividad LOSSNAY	No soportada	03	1	O	
	Soportada (la unidad interior no está equipada con entrada de aire del exterior)		2		
	Soportada (la unidad interior está equipada con entrada de aire del exterior)		3		
Voltaje de alimentación	230 V	04	1	O	
	208 V		2		

Seleccione los números de unidad 01 a 03 o todas las unidades (AL [controlador remoto alámbrico] / 07 [controlador remoto inalámbrico])

Modo	Ajustes	N.º de modo		Configuración inicial	Ajuste
		Controlador remoto cableado	Núm. de ajuste		
Señalización de filtro	100 horas	07	1	O	
	2500 horas		2		
	Sin indicador de señalización del filtro		3		
Velocidad del ventilador	Silencioso	08	1	O	
	Standard		2		
	Techo alto		3		
Ajuste de las aletas de movimiento vertical	Sin aletas	11	1	O	
	Equipado con aletas (Configuración del ángulo de las paletas ①)		2		
	Equipado con aletas (Configuración del ángulo de las paletas ②)		3		

* Cuando la corriente eléctrica vuelva a estar disponible, el aire acondicionado tardará 3 minutos o 1 minuto en encenderse (dependiendo de la unidad exterior).

7. Prueba de funcionamiento

7.1. Antes de realizar las pruebas

- Después de la instalación de tubos y cables en las unidades interior y exterior, compruebe que no haya escapes de refrigerante, que no se haya aflojado ni la fuente de alimentación ni el cableado de control, que la polaridad no sea errónea y que no se haya desconectado ninguna fase de la alimentación.
- Utilice un megaohmímetro de 500 V para comprobar que la resistencia entre los bornes de alimentación y la tierra es como mínimo de 1,0 MΩ.

► No efectúe estas pruebas en los bornes de los cables de control (circuito de bajo voltaje).

⚠ **Atención:**

No utilice el aire acondicionado si la resistencia de aislamiento es inferior a 1,0 MΩ.

7.2. Prueba de funcionamiento

■ Consulte el manual de instalación suministrado con cada controlador remoto para obtener más información.

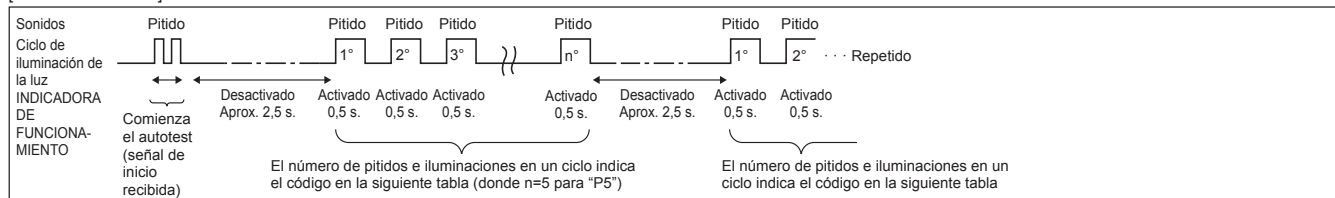
7.3. Autotest

■ Consulte el manual de instalación suministrado con cada controlador remoto para obtener más información.

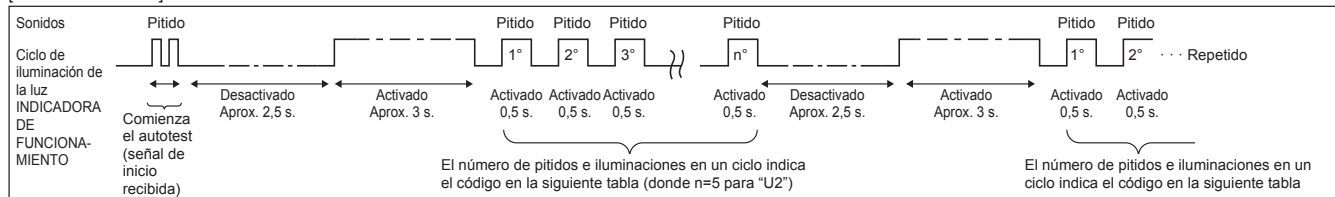
■ El termostato de radiofrecuencia no está establecido.

• Para más información sobre los códigos de comprobación, consulte las siguientes tablas. (Controlador remoto inalámbrico por infrarrojos)

[Ciclo de emisión A]



[Ciclo de emisión B]



[Ciclo de emisión A] Errores detectados por la unidad interior

Controlador remoto inalámbrico por infrarrojos	Termostato de radiofrecuencia del controlador remoto cableado	Síntoma	Observaciones
Pitido/se ilumina la luz INDICADORA DE FUNCIONAMIENTO (número de veces)	Código de comprobación		
1	P1	Error del sensor de admisión	
2	P2	Error del sensor del tubo (TH2)	
	P9	Error del sensor del tubo (TH5)	
3	E6, E7	Error de comunicación con unidad interior/exterior	
4	P4	Conector del interruptor de flotador abierto	
5	P5	Error de la bomba de drenaje	
	PA	Compresor forzado INACTIVO (Las fugas de agua)	
6	P6	Funcionamiento de seguridad por helada/sobrecalentamiento	
7	EE	Error de comunicación entre unidades interior y exterior	
8	P8	Error de temperatura del tubo	
9	E4	Error de recepción de señal del controlador remoto	
10	—	—	
11	PB (Pb)	Error en motor del ventilador de la unidad interior	
12	FB (Fb)	Error del sistema de control de la unidad interior (error de memoria, etc.)	
14	PL	Circuito de refrigerante anormal	
Sin sonido	E0, E3	Error de transmisión del controlador remoto	
Sin sonido	E1, E2	Error del panel de control del controlador remoto	
Sin sonido	— — — —	No corresponde	

7. Prueba de funcionamiento

[Ciclo de emisión B] Errores detectados por una unidad distinta de la unidad interior (unidad exterior, etc.)

Controlador remoto inalámbrico por infrarrojos	Termostato de radiofrecuencia del controlador remoto cableado	Síntoma	Observaciones
Pitido/se ilumina la luz INDICADORA DE FUNCIONAMIENTO (número de veces)	Código de comprobación		
1	E9	Error de comunicación de la unidad interior/exterior (error de transmisión) (unidad exterior)	Para información detallada, compruebe la pantalla de LEDs del cuadro del controlador exterior.
2	UP	Interrupción del compresor por sobrecorriente	
3	U3, U4	Apertura/corte de termistores de la unidad exterior	
4	UF	Interrupción por sobrecorriente del compresor (si el compresor está bloqueado)	
5	U2	Temperatura de descarga anormalmente alta/49C función/refrigerante insuficiente	
6	U1, Ud	Presión anormalmente alta (63H función)/Funcionamiento de seguridad por sobrecalentamiento	
7	U5	Temperatura anormal del cuerpo de refrigeración	
8	U8	Parada de seguridad del ventilador de la unidad exterior	
9	U6	Interrupción del compresor por sobrecorriente/Anomalía en el módulo de alimentación	
10	U7	Anomalía de sobrecalentamiento debido a una baja temperatura de descarga	
11	U9, UH	Anomalía (tensión demasiado alta o baja, señal asíncrona anormal al circuito principal)/Error del sensor de corriente	
12	—	—	
13	—	—	
14	Otros	Otros errores (consulte el manual técnico de la unidad exterior).	

*1 Si tras los dos pitidos iniciales que confirman la recepción de la señal de inicio del autotest no hay más pitidos y la luz INDICADORA DE FUNCIONAMIENTO no se enciende, no habrá errores registrados.

*2 Si suenan tres pitidos consecutivos “piip, piip, piip (0,4 + 0,4 + 0,4 segundos)” tras los dos pitidos iniciales que confirman la recepción de la señal de inicio del autotest, la dirección de refrigerante especificada no es correcta.

- En el controlador remoto inalámbrico por infrarrojos
Se oye un pitido continuo desde la sección receptora de la unidad interior.
La luz de funcionamiento parpadea
- Controlador remoto cableado
Compruebe el código que aparece en la LCD.

- Si no se puede activar la unidad adecuadamente después de haberse llevado a cabo la ejecución de prueba, consulte la tabla siguiente para suprimir la causa.

Síntoma		Causa
Controlador remoto cableado	LED 1, 2 (tarjeta de circuito impreso en unidad exterior)	
PLEASE WAIT	Durante aproximadamente 2 minutos después del encendido.	Se iluminan los LED 1 y 2 y, a continuación, el LED 2 se apaga y sólo queda encendido el LED 1. (Funcionamiento correcto)
PLEASE WAIT → Código de error	Aproximadamente 2 minutos después de haber finalizado el encendido.	Sólo se ilumina el LED 1. → Los LED 1 y 2 parpadean.
NO aparecen mensajes en pantalla aunque se active el interruptor de funcionamiento (la luz de funcionamiento no se enciende).		Sólo se ilumina LED 1. → El LED 1 parpadea dos veces y el LED 2 una.

Si se cumple la condición anterior, en el controlador remoto inalámbrico por infrarrojos se producen las siguientes situaciones.

- No se acepta ninguna señal procedente del controlador remoto.
- La luz FUNCIONAMIENTO parpadea.
- Se emite un pitido breve.

Nota:

No se puede utilizar durante aproximadamente 30 segundos después de cancelar la selección de funciones. (Funcionamiento correcto)

Para la descripción de cada uno de los LED (LED 1, 2, 3) de los controladores interiores, consulte la tabla siguiente.

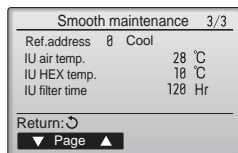
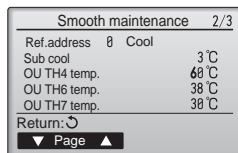
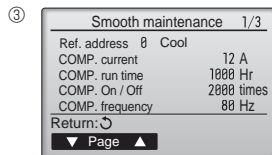
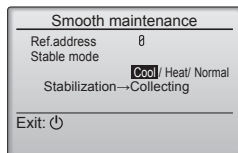
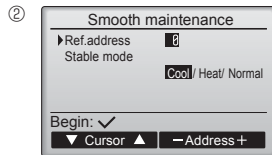
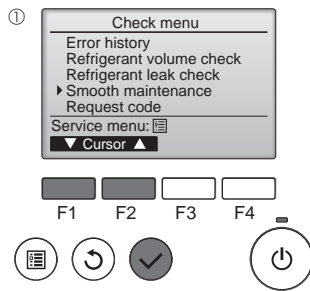
LED1 (alimentación para microordenador)	Indica si se suministra alimentación de control. Asegúrese de que este LED esté siempre encendido.
LED2 (alimentación para controlador remoto)	Indica si se suministra alimentación al controlador remoto. Este LED se enciende únicamente en caso de una unidad interior conectada a la dirección de refrigerante “0” de la unidad exterior.
LED3 (comunicación entre unidades interior y exterior)	Indica el estado de comunicación entre las unidades interior y exterior. Asegúrese de que este LED esté siempre parpadeando.

8. Función de mantenimiento fácil

Los datos de mantenimiento, como la temperatura del intercambiador de calor de la unidad interior/exterior y la corriente de funcionamiento del compresor, pueden visualizarse mediante el "Smooth maintenance" (mantenimiento suave).

* No puede ejecutarse durante la prueba de funcionamiento.

* Según la combinación con la unidad exterior, esta función puede no ser compatible con algunos modelos.



- Seleccione "Service" (Revisión) desde el Main menu (Menú principal), y pulse el botón [ACEPTAR].
- Seleccione "Check" (Comprobación) con el botón [F1] o [F2], y pulse el botón [ACEPTAR].
- Seleccione "Smooth maintenance" (mantenimiento suave) con el botón [F1] o [F2], y pulse el botón [ACEPTAR].

Seleccione cada uno de los elementos

- Seleccione el elemento que desea cambiar con el botón [F1] o [F2].
- Seleccione el ajuste correspondiente con el botón [F3] o [F4].

Ajuste "Ref. address" (Codificación) "0" - "15"

Ajuste "Stable mode" (Modo estable) "Cool" (Frío) / "Heat" (Calor) / "Normal"

- Pulse el botón [ACEPTAR], con lo que se iniciará el funcionamiento fijo.
- * Stable mode (Modo estable) se prolongará durante unos 20 minutos.

Aparecerán los datos de funcionamiento.

El tiempo de funcionamiento acumulado del compresor ("COMP. run" (Func. COMP.)) se expresa en unidades de 10 horas, y el número de veces que se ha puesto en funcionamiento el compresor ("COMP. On/Off" (COMP. encendido/apagado)) se expresa en unidades de 100 veces (se omiten las fracciones)

Navegación por las pantallas

- Para volver al Menú principal..... Botón [MENÚ]
- Para volver a la pantalla anterior Botón [VOLVER]

This product is designed and intended for use in the residential,
commercial and light-industrial environment.

Please be sure to put the contact address/telephone number on
this manual before handing it to the customer.

mitsubishi electric corporation
HEAD OFFICE: TOKYO BUILDING, 2-7-3, MARUNOUCHI, CHIYODA-KU, TOKYO 100-8310, JAPAN