

SERVICE PARTS LIST FOR MITSUBISHI ELECTRIC PACKAGED AIR-CONDITIONERS

Series : PEAD-A•AA7

REVISED

June 2017

BWE01629A

INDEX
PEAD-A09AA7
PEAD-A12AA7
PEAD-A15AA7
PEAD-A18AA7
PEAD-A24AA7
PEAD-A30AA7
PEAD-A36AA7
PEAD-A42AA7

Part information update day : 2017/06/28



Please change the old catalog (issued Nov. 2016, No.BWE016290) to this new catalog.
Content of revision : Some of parts are changed. Added new models.

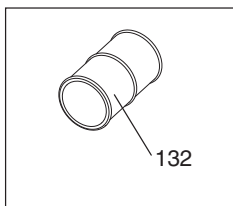
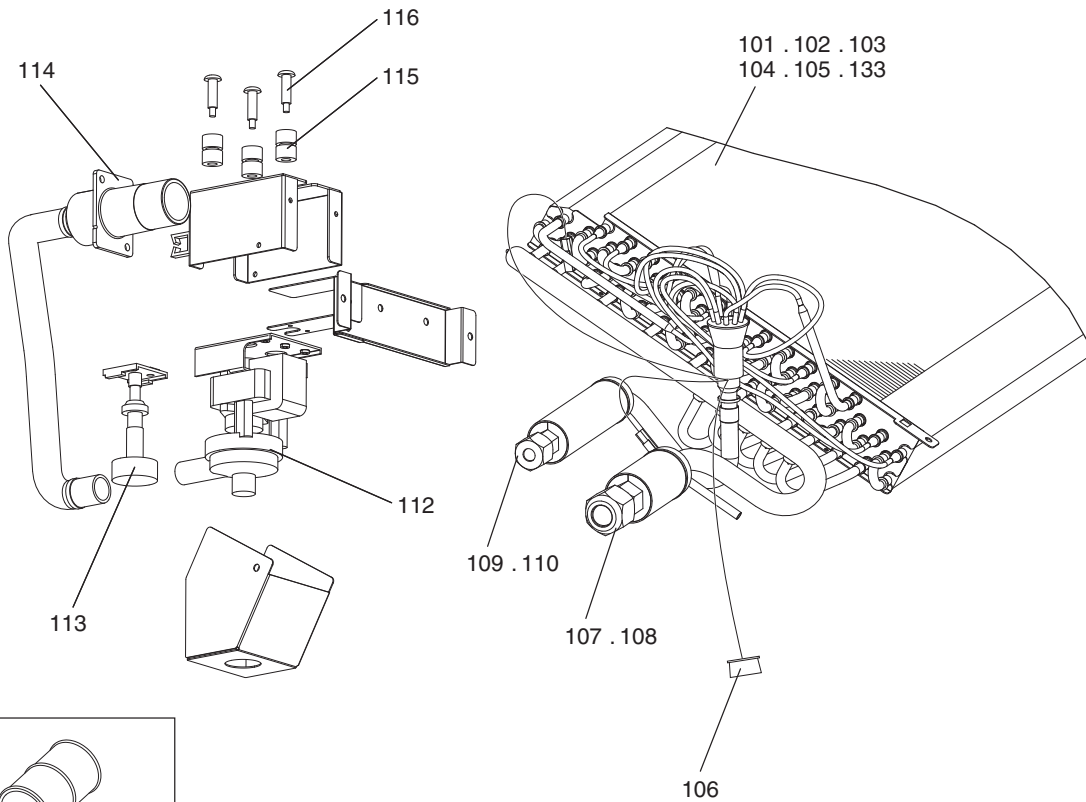
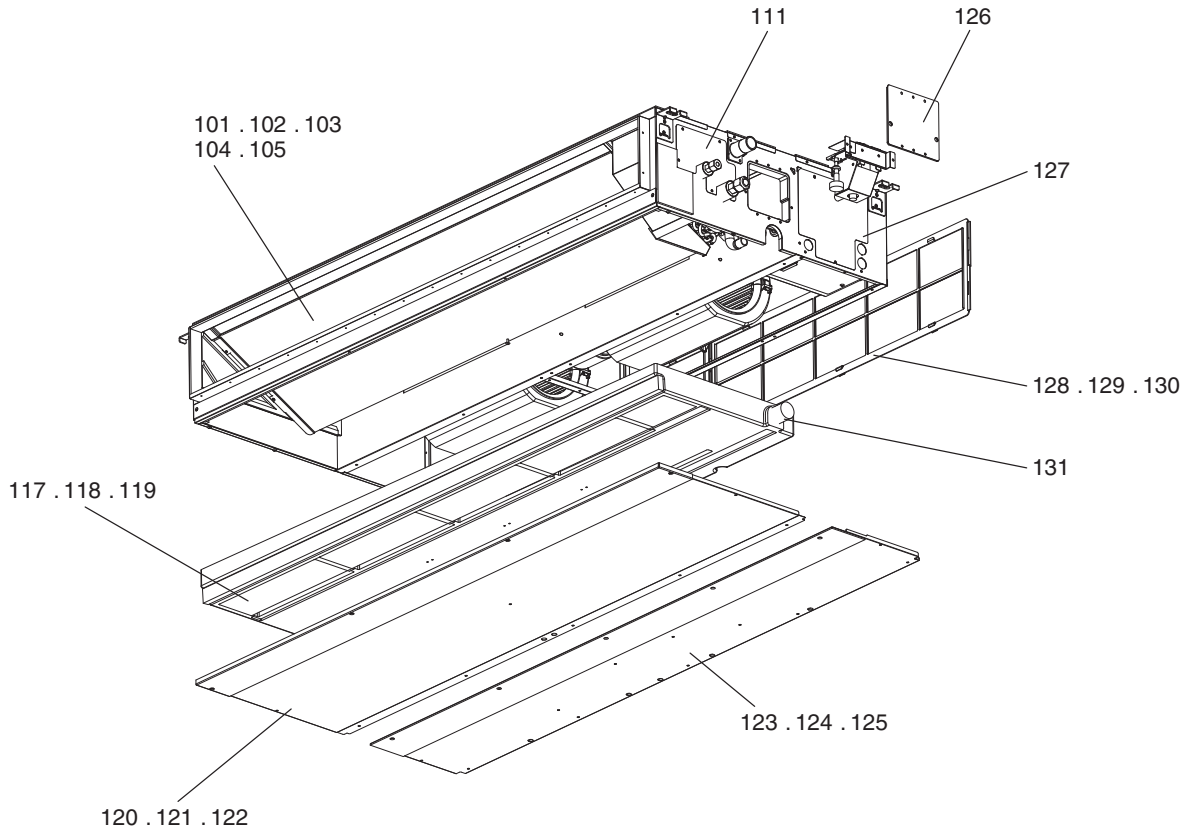
Added new models

PEAD-A09AA7 :Added June 2017

PEAD-A15AA7 :Added June 2017

PEAD-A09,A12,A15AA7
PEAD-A18,A24,A30AA7
PEAD-A36,A42AA7

EXTERNAL PARTS



PEAD-A09,A12,A15AA7
 PEAD-A18,A24,A30AA7
 PEAD-A36,A42AA7

EXTERNAL PARTS

No.	Part No.	G : RoHS Apply Only W : RoHS Apply by Running Change	Part Name	Spec.	PEAD-A09AA7	PEAD-A12AA7	PEAD-A15AA7	PEAD-A18AA7	PEAD-A24AA7	PEAD-A30AA7	Dwg. No.	Notes for the models	Revision info.
102	U41 021 480	G	Heat exchanger				1	1			KB00Y197B01		
103	U41 022 480	G	Heat exchanger						1	1	KB00Y198B01		
104	U41 023 480	G	Heat exchanger								KB00Y198B02		
105	U41 024 480	G	Heat exchanger								KB00Y200B01		
106	U41 001 200	G	Thermistor		1	1	1	1	1	1	KB71B945H03		
107	U41 003 122	G	Nut flare	1/2F			1	1	1		BG12S008H02		
108	U41 001 122	G	Nut flare	5/8						1	BG12S826H03		
109	U41 004 122	G	Nut flare	1/4	1	1	1	1			Z211A143H01		
110	U41 002 122	G	Nut flare	3/8	1					1	Z211A143H06		
111	U41 001 690	G	Cover pipe assy		1	1	1	1	1	1	KD00K396G01		
112	U41 001 539	G	Pump	PLD	1	1	1	1	1	1	KD00K561G01		
113	U41 001 541	G	Float switch	#S2004-2-2	1	1	1	1	1	1	KD00K418G01		
114	U41 001 218	G	Socket assy		1	1	1	1	1	1	KD00R916G02		
115	U41 001 104	G	Cushion		3	3	3	3	3	3	DB26F013L01		
116	U41 001 019	G	Screw special	M4 X 6	3	3	3	3	3	3	Y112J017H05		
117	U41 002 529	G	Drain pan assy	900	1	1	1	1			KJ00C460G02		
118	U41 003 529	G	Drain pan assy	1100						1	KJ00C460G03		
119	U41 004 529	G	Drain pan assy	1400							KJ00C460G04		
120	U41 002 651	G	Panel assy UD1	900	1	1	1	1			KJ00C382G07		
121	U41 003 651	G	Panel assy UD1	1100						1	KJ00C382G08		
122	U41 004 651	G	Panel assy UD1	1400							KJ00C382G09		
123	U41 007 651	G	Panel assy UD2	900	1	1	1	1			KJ00C380G07		
124	U41 008 651	G	Panel assy UD2	1100						1	KJ00C380G08		
125	U41 009 651	G	Panel assy UD2	1400							KJ00C380G09		
126	U41 003 690	G	Cover assy		1	1	1	1	1	1	KD00K397G01		
127	U41 002 690	G	Cover box assy		1	1	1	1	1	1	KJ00C383G02		
128	U41 003 500	G	Filter	900	1	1	1	1			KB35B881G01		
129	U41 001 500	G	Filter	550						2	KB35B880G01		
130	U41 002 500	G	Filter	700							KB35B882G01		
131	U41 001 558	G	Plug	RUBBER	2	2	2	2	2	2	KB26H049H01		
132	U41 002 218	G	Socket		2	2	2	2	2	2	BB25D449H01		
133	U41 025 480	G	Heat exchanger		1						KB00Y196B02		

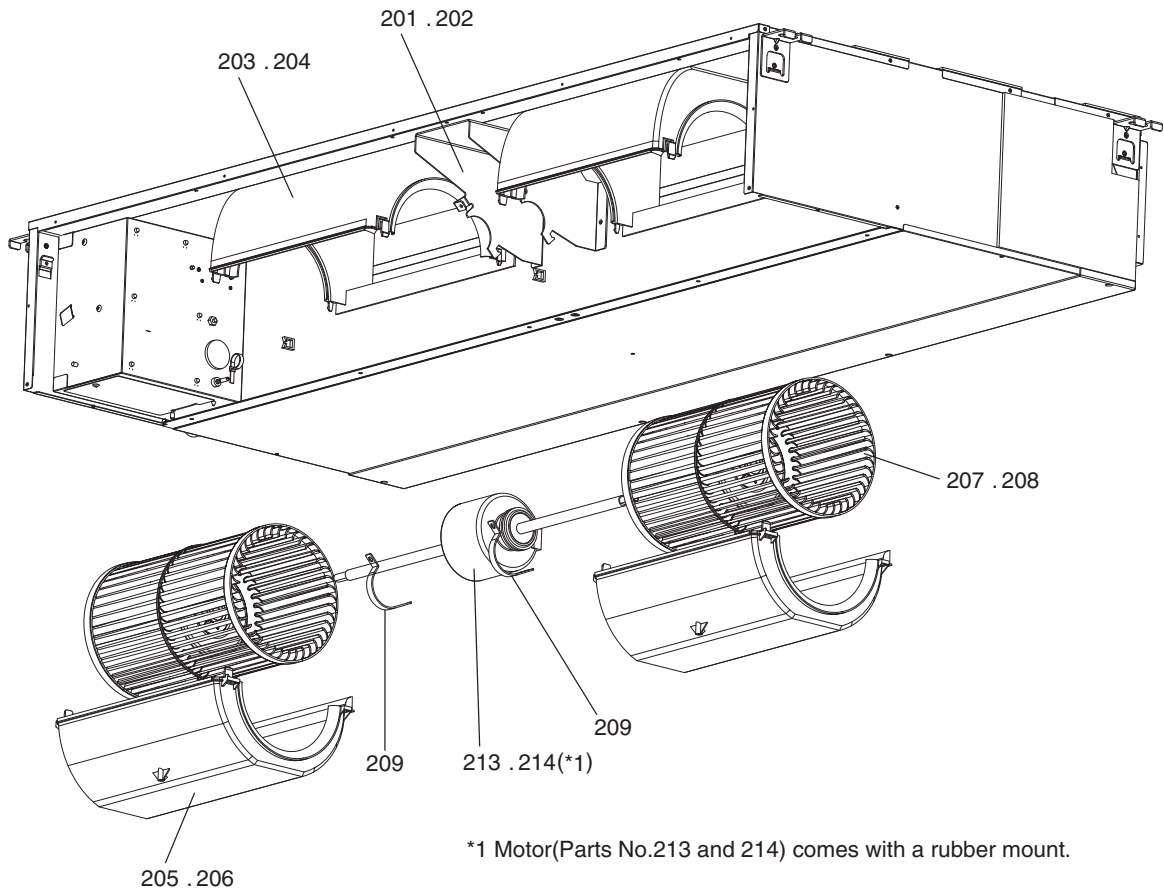
PEAD-A09,A12,A15AA7
PEAD-A18,A24,A30AA7
PEAD-A36,A42AA7

EXTERNAL PARTS

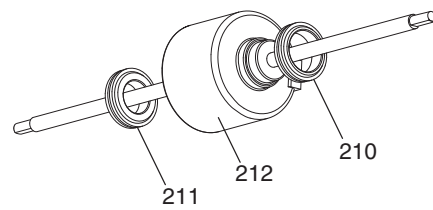
No.	Part No.	G : RoHS Apply Only W: RoHS Apply by Running Change		Spec.	PEAD-A36AA7	PEAD-A42AA7				Dwg. No.	Notes for the models	Revision info.
			Part Name									
101	U41 020 480	G	Heat exchanger							KB00Y196B01		
102	U41 021 480	G	Heat exchanger							KB00Y197B01		
103	U41 022 480	G	Heat exchanger							KB00Y198B01		
104	U41 023 480	G	Heat exchanger		1					KB00Y198B02		
105	U41 024 480	G	Heat exchanger			1				KB00Y200B01		
106	U41 001 200	G	Thermistor		1	1				KB71B945H03		
107	U41 003 122	G	Nut flare	1/2F						BG12S008H02		
108	U41 001 122	G	Nut flare	5/8	1	1				BG12S826H03		
109	U41 004 122	G	Nut flare	1/4						Z211A143H01		
110	U41 002 122	G	Nut flare	3/8	1	1				Z211A143H06		
111	U41 001 690	G	Cover pipe assy		1	1				KD00K396G01		
112	U41 001 539	G	Pump	PLD	1	1				KD00K561G01		
113	U41 001 541	G	Float switch	#S2004-2-2	1	1				KD00K418G01		
114	U41 001 218	G	Socket assy		1	1				KD00R916G02		
115	U41 001 104	G	Cushion		3	3				DB26F013L01		
116	U41 001 019	G	Screw special	M4 X 6	3	3				Y112J017H05		
117	U41 002 529	G	Drain pan assy	900						KJ00C460G02		
118	U41 003 529	G	Drain pan assy	1100						KJ00C460G03		
119	U41 004 529	G	Drain pan assy	1400	1	1				KJ00C460G04		
120	U41 002 651	G	Panel assy UD1	900						KJ00C382G07		
121	U41 003 651	G	Panel assy UD1	1100						KJ00C382G08		
122	U41 004 651	G	Panel assy UD1	1400	1	1				KJ00C382G09		
123	U41 007 651	G	Panel assy UD2	900						KJ00C380G07		
124	U41 008 651	G	Panel assy UD2	1100						KJ00C380G08		
125	U41 009 651	G	Panel assy UD2	1400	1	1				KJ00C380G09		
126	U41 003 690	G	Cover assy		1	1				KD00K397G01		
127	U41 002 690	G	Cover box assy		1	1				KJ00C383G02		
128	U41 003 500	G	Filter	900						KB35B881G01		
129	U41 001 500	G	Filter	550						KB35B880G01		
130	U41 002 500	G	Filter	700	2	2				KB35B882G01		
131	U41 001 558	G	Plug	RUBBER	2	2				KB26H049H01		
132	U41 002 218	G	Socket		2	2				BB25D449H01		
133	U41 025 480	G	Heat exchanger							KB00Y196B02		

PEAD-A09,A12,A15AA7
PEAD-A18,A24,A30AA7
PEAD-A36,A42AA7

BLOWER PARTS



In case of A09,A12,A15 and A18



PEAD-A09,A12,A15AA7
 PEAD-A18,A24,A30AA7
 PEAD-A36,A42AA7

BLOWER PARTS

No.	Part No.	G : RoHS Apply Only W: RoHS Apply by Running Change		Spec.	PEAD-A09AA7	PEAD-A12AA7	PEAD-A15AA7	PEAD-A18AA7	PEAD-A24AA7	PEAD-A30AA7	Dwg. No.	Notes for the models	Revision info.
			Part Name										
201	U41 001 128	G	Motor base S		1	1	1	1	1	1	KB02N567H02		
202	U41 002 128	G	Motor base L								KB02N568H02		
203	U41 002 129	G	Fan case U		1	1	1	1			KB25A589H02		
204	U41 001 129	G	Fan case U						2	2	KB25A588H02		
205	U41 004 129	G	Fan case L		1	1	1	1			KB25A591H02		
206	U41 003 129	G	Fan case L						2	2	KB25A590H02		
207	U41 002 114	G	Sirocco fan assy	320	1	1	1	1			KJ00G857G02		
208	U41 001 114	G	Sirocco fan assy	200					2	2	KJ00G856G03		
209	U41 001 131	G	Attachment		2	2	2	2	2	2	KD02K038H01		
210	U41 001 505	G	Rubber mount L		1	1	1	1			KB31D833H07		
211	U41 002 505	G	Rubber mount R		1	1	1	1			KB31D833H06		
212	U41 002 220	G	Motor	P18	1	1	1	1			KJ00C645G02		
213	U41 003 220	G	Motor	P30					1	1	KJ00C645G06	*1 Includes rubber mount	
214	U41 004 220	G	Motor	P54							KJ00C645G07	*1 Includes rubber mount	

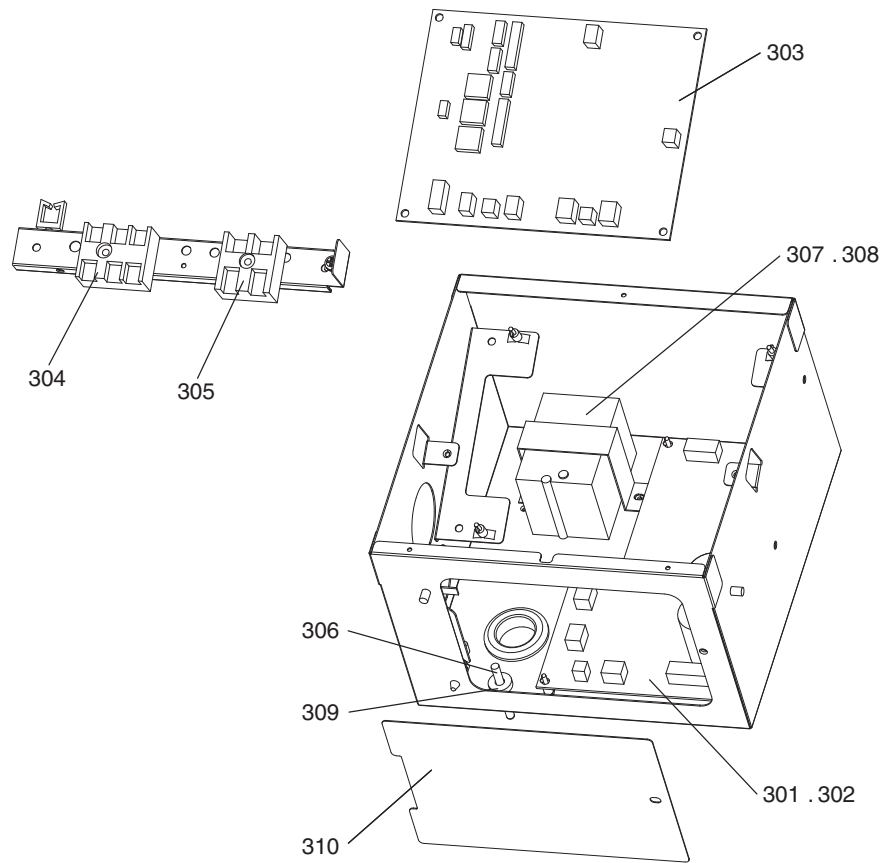
PEAD-A09,A12,A15AA7
PEAD-A18,A24,A30AA7
PEAD-A36,A42AA7

BLOWER PARTS

No.	Part No.	G : RoHS Apply Only W : RoHS Apply by Running Change		Spec.	PEAD-A36AA7	PEAD-A42AA7			Dwg. No.	Notes for the models	Revision info.
		Part Name									
201	U41 001 128	G	Motor base S						KB02N567H02		
202	U41 002 128	G	Motor base L		1	1			KB02N568H02		
203	U41 002 129	G	Fan case U		2	2			KB25A589H02		
204	U41 001 129	G	Fan case U						KB25A588H02		
205	U41 004 129	G	Fan case L		2	2			KB25A591H02		
206	U41 003 129	G	Fan case L						KB25A590H02		
207	U41 002 114	G	Sirocco fan assy	320	2	2			KJ00G857G02		
208	U41 001 114	G	Sirocco fan assy	200					KJ00G856G03		
209	U41 001 131	G	Attachment		2	2			KD02K038H01		
210	U41 001 505	G	Rubber mount L						KB31D833H07		
211	U41 002 505	G	Rubber mount R						KB31D833H06		
212	U41 002 220	G	Motor	P18					KJ00C645G02		
213	U41 003 220	G	Motor	P30					KJ00C645G06	*1 Includes rubber mount	
214	U41 004 220	G	Motor	P54	1	1			KJ00C645G07	*1 Includes rubber mount	

PEAD-A09,A12,A15AA7
PEAD-A18,A24,A30AA7
PEAD-A36,A42AA7

CONTROL BOX PARTS



PEAD-A09,A12,A15AA7
PEAD-A18,A24,A30AA7
PEAD-A36,A42AA7

CONTROL BOX PARTS

No.	Part No.	G : RoHS Apply Only W : RoHS Apply by Running Change		Spec.	PEAD-A09AA7	PEAD-A12AA7	PEAD-A15AA7	PEAD-A18AA7	PEAD-A24AA7	PEAD-A30AA7	Dwg. No.	Notes for the models	Revision info.
			Part Name										
301	U41 005 280	G	PCA board	PW3A	1	1	1	1	1	1	KE95B740F04		
302	U41 006 280	G	PCA board	PW5A							KE95B740F05		
303	U41 025 280	G	PCA board	INDOOR CONTROL	1	1	1	1	1	1	KE95B741F02		
304	U41 004 246	G	Terminal block assy		1	1	1	1	1	1	BH00C267G02		
305	U41 003 246	G	Terminal block		1	1	1	1	1	1	BG00R200G62		
306	U41 002 200	G	Thermistor-S	250XAP	1	1	1	1	1	1	RG71J628H01		
307	U41 001 259	G	Reactor	3A3	1	1	1	1	1		KE65D486H02		
308	U41 002 259	G	Reactor	3A6						1	KE65D487H01		
309	U41 002 104	G	Cord bush		1	1	1	1	1	1	KB32K138H01		
310	U41 004 690	G	Box under cover		1	1	1	1	1	1	KD02K047H01		

PEAD-A09,A12,A15AA7
 PEAD-A18,A24,A30AA7
 PEAD-A36,A42AA7

CONTROL BOX PARTS

No.	Part No.	G : RoHS Apply Only W : RoHS Apply by Running Change		Spec.	PEAD-A36AA7	PEAD-A42AA7			Dwg. No.	Notes for the models	Revision info.
			Part Name								
301	U41 005 280	G	PCA board	PW3A					KE95B740F04		
302	U41 006 280	G	PCA board	PW5A	1	1			KE95B740F05		
303	U41 025 280	G	PCA board	INDOOR CONTROL	1	1			KE95B741F02		
304	U41 004 246	G	Terminal block assy		1	1			BH00C267G02		
305	U41 003 246	G	Terminal block		1	1			BG00R200G62		
306	U41 002 200	G	Thermistor-S	250XAP	1	1			RG71J628H01		
307	U41 001 259	G	Reactor	3A3					KE65D486H02		
308	U41 002 259	G	Reactor	3A6	1	1			KE65D487H01		
309	U41 002 104	G	Cord bush		1	1			KB32K138H01		
310	U41 004 690	G	Box under cover		1	1			KD02K047H01		

mitsubishi **electric** **corporation**

BWE01629A (20170630)