



allegro™

UNIVERSAL AMI RF ENDPOINTS FOR WATER



Industry Leading Innovation

The Allegro Under-the-Glass (UTG™) Universal Endpoint for Advanced Meter Infrastructure (AMI) is an industry-leading innovation in durable endpoint design technology featuring no external connecting wires or antennas. The Allegro UTG Endpoints are built on our patented programmable Interpreter® register platform that enables placement anywhere on most any meter. This exclusive endpoint technology is flexible, migratable, and able to operate in both fixed network and drive-by environments.

Operating in the FCC licensed 450-470 MHz frequency spectrum, our family of Allegro Universal Endpoints communicate to the fixed network backbone via a proprietary 2-way, time-synchronized RF protocol. The Allegro AMI Fixed Network architecture offers exceptional propagation, eliminates network RF signal collision, provides superior stability (agnostic of the number of endpoints), and is intrinsically secure and protected.

The UTG Universal Endpoints transmit at 2 watts of output power and can communicate with the Allegro Base Station from up to 2 miles away, with priority given to the Base Station for greater network efficiency.

The Allegro Wall Endpoint offers an extended range up to 5 miles. Allegro Endpoints are engineered to automatically revert to an AMR drive-by mode in the event of a network disruption, always allowing for data collection.

Allegro incorporates a patented, dual-frequency ‘Smart Antenna’ within our UTG Endpoints, ideal for submerged pit or vault environments. This proprietary design matches the RF shift as radio waves travel through water, providing consistent reliable performance irrespective to the level of humidity and water conditions within the harsh pit environment.

UTG Encapsulation Technology

Winner of the Frost & Sullivan Market Engineering Award, Master Meter’s innovative UTG (Under-the-Glass) Encapsulation Technology is a proprietary manufacturing design, which fully encloses both RF circuitry, battery, antenna, and the solid-state meter register into a hermetically sealed, IP68-rated hardened glass and stainless steel enclosure. With millions of UTG designed AMR and AMI endpoints installed globally, the elimination of external wires and/or connections has proven a formidable, highly durable, and weather resistant product design ideal for submersible, pit-set environments where the protection of sensitive AMR/AMI electronics is paramount.





Allegro Endpoint Family

Each utility environment presents special technical challenges. That's why Master Meter created three unique application specific AMI Endpoints to provide optimal communication between the meter, RF network, and the utility.

UTG ENDPOINT

Our flagship product - the UTG Register Endpoint - is ideal for use in pit or indoor situations that are located within approximately 2 miles of an Allegro Base Station or repeater. This fully integral design features no connections or external antennas allowing a quick plug-in-play solution that keeps deployment schedules short, and implementation costs down.

UTG ENDPOINT WITH EXTERNAL ANTENNA

This UTG Endpoint provides an external low profile antenna, making it a choice solution for deep pits or vaults, or where the Base Station distance may compromise performance. The only wired connection is an IP68-rated push-pull connector that is coupled to our ruggedized low-profile omnidirectional antenna. This boosts the total range of the Endpoint by up to 250%, providing an extended reliable performance.

ALLEGRO WALL ENDPOINT

The Allegro Wall Endpoint provides complete flexibility in AMI communication and is ideal for basement located meters, or commercial meter settings located in dry, deep vaults. This endpoint works with any wired make or model encoder register that uses the industry standard UI-1203 communication protocol. It is ideal for retrofitting and upgrading older systems with today's most advanced AMI technology. The Wall Endpoint is universal, programmable, and provides the same robust two-way communication found with our UTG Endpoints.

Features and Benefits

► UNIVERSAL INTERPRETER REGISTER

Leading the way towards interoperability, Master Meter's patented Universal Interpreter technology is at the heart of our endpoints, allowing Allegro to retrofit nearly every brand, size, and type of meter without wires. The Allegro Endpoint is a solid-state integral AMI register that detects the magnetic signature of the meter chamber's coupling magnet, and synthetically replicates the original manufacturer's registration mechanism to create an accurate, universal, elegant smart technology AMI solution.

► RUGGED LONG LIFE-CYCLE DESIGN

We designed Allegro to make sure your technology investment will last. Allegro is engineered to reduce lifetime ownership costs by providing a ruggedized extended life-cycle product design and future firmware upgradeability so that Allegro grows with technology. Exclusive environmental design assures longevity in harsh submerged environments.

- IP68 Environmental Rating (in most cases) for utmost protection against damaging moisture and dust ingress.
- Under-the-Glass (UTG) Encapsulated Wireless Design for elegant, simplified installation and no external wires or connections.
- Ultra-compact form factor provides an elegant quality design with a minimal footprint and opportunity for tamper.
- Full 10 Year Battery Warranty with additional 10 Year Prorated Coverage.
- 100% Solid-State design with no moving parts provides exceptional accuracy, granular data resolution, and zero wear



► MIGRATABLE BETWEEN AMR AND AMI

The Allegro Endpoint easily migrates between drive-by and fixed network modes to ensure reliable meter reading operations regardless of network status. By automating routine tasks and operations, utilities gain efficiencies and can provide an enhanced customer service experience to all customer segments.

- Seamless, smart sensing network architecture provides a flexible, cost-effective network rollout by automatic communication between the endpoint and base station.
- Redundant Operating Modes for enhanced system reliability.
- Smart sensing algorithms automate and improve communications.
- Data redundancy in endpoint, with built-in storage of 72 hourly reads.

► TWO-WAY COMMUNICATION

With a need to respond immediately to the shifting priorities of a fast paced water utility, the Allegro AMI Fixed Network incorporates advanced end-to-end true 2-way communication. The system operates on a secure, encrypted, channel and time specific proprietary protocol. The Time Synchronous RF Protocol operates by assigning each endpoint a specific time slot to listen for the base station. Because of this efficient design, IP packet collisions are all but eliminated offering increased reliability and better performance.

- On Demand Reads for accurate, remotely available answers to billing inquiries.
- The Lowest Latency Response Time to empower utility personnel with timely information for their customers.

- Near Real Time Alert Monitoring ensures more responsive customer service.
- Remote Firmware Upgradability protects today's investment and allows the AMI endpoints to grow with future technology.
- End-to-End Encryption for secure, protected data transmission privacy.
- Anytime Network Commands puts the utility in touch with field assets.
- Flexible transmission interval scheduling with either every 12 hours, or once per day (for extended battery performance).
- 15 Minute consumption granularity reading.

► PLUG-AND-PLAY DESIGN

The UTG Universal Endpoints are Proactive, Preemptive, and Intuitive. We engineer our endpoints with the idea that utilities don't have freely available resources to be spent on lengthy training and complex installation procedures just to move forward with technology migration. Allegro installation is quick and painless, reducing costs while requiring little to no technical expertise.

- Automatic Network Communication for immediate startup and implementation
- Endpoints are available pre-configured at the factory for immediate deployment.
- Ultra-compact form factor provides an elegant quality design with a minimal footprint and opportunity for tamper.
- Barcode labels help reduce human error in the administrative integration of installation data
- Fully integral UTG design requires no installation of antennas or connection to encoder registers* for quick deployment. **applicable to the fully integral UTG register. This does not apply to the Allegro UTG with External Antenna or Allegro Wall Endpoint.*



Moving At The Speed of Technology

Master Meter is a high-service solutions provider specializing in advanced digital water metering, data delivery, and Utility Intelligence (UI) software. Master Meter’s portfolio of new and innovative smart water technologies continues to expand in support of today’s dynamic water utility business environment, and the water department’s rapidly evolving role within a Smart City strategic plan. Join us.

Architecture

The simplicity found in nature inspired the overarching architectural design for Allegro and Harmony. Maximizing Allegro’s RF footprint through efficient use and design of network components, while synchronizing communication between endpoint and collector result in today’s most cost-effective and efficient AMI system available.

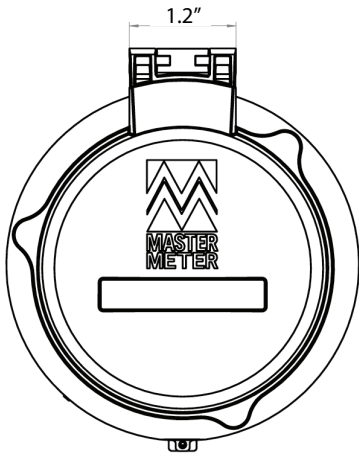
Harmony MDM software enables utilities to clearly visualize the robust, detailed consumption information delivered through the Allegro network. Together, Allegro and Harmony allow the utility to analyze, manage, and precisely account for system-wide water consumption. Smartly designed smartphone apps and web portals create an interactive customer engagement that improves customer satisfaction, reduces calls to City Hall, and empowers the ratepayer to responsibly and confidently make informed decisions about their personal usage.



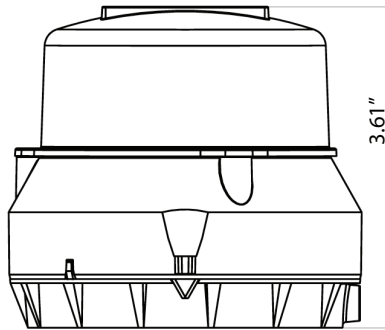


Dimensions

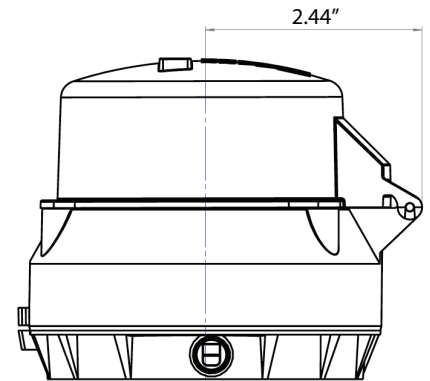
UTG ENDPOINT



Top View

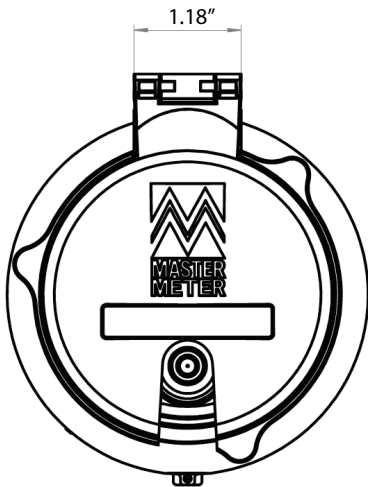


Front View

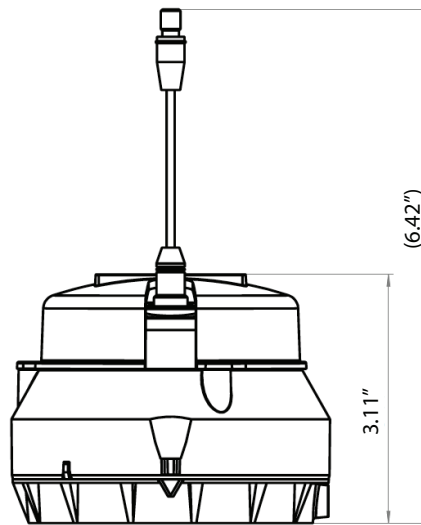


Side View

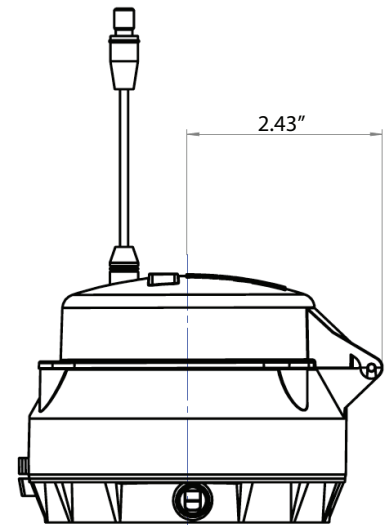
UTG ENDPOINT WITH EXTERNAL ANTENNA



Top View



Front View



Side View



ALLEGRO PIT MODULE

The Allegro Pit Module provides a solution for meters located in damp, deep vaults/pits and is used to interface with Master Meter's Octave® Commercial & Industrial Ultrasonic Meter, AccuLinx™ and eLinx™ encoder registers, or most any brand water meter with an encoder output using the standard communications protocol for water, UI-1203.



Specifications

Physical Characteristics		Allegro Pit Module
Pit Module w/Bracket Dimensions	Height x Length x Width (in)	3.5" x 6.25" x 2.81"
	Weight (lbs)	1 lb
Environment		Allegro Pit Module
IP Rating	RF Endpoint with Cable (Outdoor Use)	IP68
IP Rating Details	Submerged Depth (Time at 0°, 25°, 40°C)	1 (168 Hours)
	Weather Susceptibility	Rain / Snow / Salt
Temperature	Operating Temperature (Storage)	-4° to 149° (-22° to 176°)
Humidity	Maximum Humidity at Temperature of 65°C	95%
Pit Lid Material	Lid Mount Antenna Ready	—
Radio		Allegro Pit Module
Frequency Band	Licensed Spectrum	450MHz - 470MHz
Rx Sensitivity	Receiver Sensitivity	-119dBm
Tx Output Strength	Fixed Network Mode	32.5dBm
	Drive-By Mode	12dBm
Bandwidth	Channel Bandwidth	5KHz
Antenna Type	External Omni-Directional Antenna	Yes
	Cable Length	12"
Antenna Gain		0dB
Cable Terminations - Data	NICOR Connector	—
	Cable Length	18"
Display (LCD)		Allegro Pit Module
Display (LCD) Details		No Display
Data Logger		Allegro Pit Module
Number of Reads	Read Storage Capacity	5760
Read Granularity	Default	15 Min
Transmissions		Allegro Pit Module
Alerts	Low Battery / Cut Wire	—
Scheduled Transmission	12hr or 24hr Configurable	—



Specifications



Physical Characteristics		UTG Register	UTG w/Ext. Antenna	Wall Endpoint
UTG Endpoint Dimensions	Diameter x Height (in)	3.15" x 2.56"	3.15" x 2.56"	-
External Antenna Dimensions	Out of Pit Height (in)		0.67"	-
	Out of Pit Radius (in)		5.79"	-
	Lid Surface to Antenna Connector (in)	7.36"	7.36"	-
Wall Mount Dimensions	Height x Length x Width (in)	-	-	7.09" x 5.91" x 2.36"
Weight		0.62 lbs.	0.62 lbs.	2.20 lbs.
Antenna Connection		-	Through the Glass, Coaxial	Rear Connection
	Cable Length (ft)		1.97'	3.28'
Environment		UTG Register	UTG w/Ext. Antenna	Wall Endpoint
IP Rating	RF Endpoint with Cable (Outdoor Use) IP68	IP68	IP68	IP65
IP68 Rated	Submerged Depth (ft)	4.92'	4.92'	-
	Submerged Time at 32°, 77°, 104° F	168 Hours	168 Hours	-
Temperature	Weather Susceptibility	Rain / Snow / Salt	Rain / Snow / Salt	-
	Operating Temperature Range	-4° F to 149° F	-4° F to 149° F	-40° F to 158° F
	Storage Temperature Range	-22° F to 176° F	-22° F to 176° F	-22° F to 176° F
Humidity	Maximum Humidity at Temperature of 149° F	95%	95%	95%
Pit Lid Material	Plastic Only	Yes	Yes	-
Radio		UTG Register	UTG w/Ext. Antenna	Wall Endpoint
Frequency Band	Licensed Spectrum	450MHz - 470MHz	450MHz - 470MHz	450MHz - 470MHz
Rx Sensitivity	Receiver Sensitivity	-119dBm	-119dBm	-119dBm
Tx Output Strength	Fixed Network Mode	33dBm	33dBm	33dBm
	Drive By Mode	13dBm	13dBm	13dBm
Bandwidth	Channel Bandwidth	6KHz	6KHz	6KHz
Antenna Type	External Omni-Directional Antenna	-	Yes	-
	Internal Printed Antenna	Yes	-	Yes
Antenna Gain		0dB	0dB	0dB
Losses	Feed Through Cable	2dB	2dB	-
Display (LCD)		UTG Register	UTG w/Ext. Antenna	Wall Endpoint
Max Consumption	Max Consumption	999999999	999999999	-
Measurement Units	Gallon / Meter ³ / Feet ³	-	-	-
Reading Resolution	Highest Read	0.1 Gallon	0.1 Gallon	-
Data Logger		UTG Register	UTG w/Ext. Antenna	Wall Endpoint
Number of Reads	Read Storage Capacity	5760	5760	5760
Read Granularity	Default	1 Hour	1 Hour	1 Hour
	Configurable To	15 Min	15 Min	15 Min
Alerts		UTG Register	UTG w/Ext. Antenna	Wall Endpoint
Tamper	Magnetic Sabotage, Tamper	Yes	Yes	Yes
Battery	Low Battery	Yes	Yes	Yes
Leak	Leak	Yes	Yes	Yes
Encoder	Master Meter Acculinx and E-Linx, Sensus iPearl			
	Accustream Digital Encoder, Mueller Translator	None	None	Yes
Scheduled Transmission	12hr or 24hr Configurable	Yes	Yes	Yes
Supported Meter Bodies	Master Meter, Badger, Neptune, Sensus, Hersey,			
	Elster	Yes	Yes	Yes
Regulations / Certifications	FCC ID: NTA2W4GB1, UL	Yes	Yes	FCC, UL, CE, and
	Industry Canada: 4732A-2W4GB1, 4732A-2WBS1	4732A-2W4GB1	-	Industry Canada



Contact Us:

Master Meter, Inc
101 Regency Parkway
Mansfield, TX 76063

Phone: 800.765.6518
Fax: 817.842.8100
innovate@mastermeter.com

harmony[®]

allegro[™]