

System Data Sheet

MegaPress 316



MegaPress 316 fittings are designed to be used with standard IPS ASTM A312 stainless steel pipe and are ideal for industrial applications.

MegaPress 316 ½" to 2" fittings can be used with Schedule 5 to Schedule 40 stainless steel pipe and 2½" to 4" fittings can be used with Schedule 10

to Schedule 40 stainless steel pipe. A MegaPress 316 system can stand up to harsh environments while transporting process water, potable water, ammonia, low pressure steam or any number of other essential fluids or gases. MegaPress 316 fittings in sizes from ½" to 4" are offered in configurations including: elbows, couplings, reducers, tees, reducing tees, threaded adapters, unions, caps and flanges.

Components

- Alloy: 316 stainless steel
- EPDM sealing element
- 420 stainless steel grip ring
- 304 stainless steel separator ring for ½" to 2" fittings
- PBT separator ring for 2½" to 4" fittings

Operating Parameters

- Operating Pressure: 200 psi max
- Operating Temperatures: 0° to 250 °F

Listings and Certificates

- | | |
|----------------------------|-------------------------|
| ■ ABS type approval | ■ NFPA 13, 13D, 13R |
| ■ ASME B31.1, B31.3, B31.9 | ■ NSF/ANSI 61 |
| ■ BV (Bureau Veritas) | ■ NSF/ANSI 372 |
| ■ CRN 13492.5 A/B/C | The following apply to |
| ■ DNV-GL | ½" to 2" fittings only: |
| ■ IAPMO PS117 | ■ FM Class 1920 |
| ■ ICC-ES LC1002 | ■ UL/ANSI 213 |
| ■ Lloyd's Register | ■ ULC/ANSI ORD-C213 |

Compliant With

- ASME B31
- ASTM A312
- ASTM A554
- IAPMO California Plumbing Code (CPC)
- IAPMO National Standard Plumbing Code (NSPB)
- IAPMO Uniform Mechanical Code (UMC)
- IAPMO Uniform Plumbing Code (UPC)
- ICC International Mechanical Code (IMC)
- ICC International Plumbing Code (IPC)
- ICC International Residential Code (IRC)
- National Building Code of Canada (NBCC)
- National Plumbing Code of Canada (NPCC)

Approved Applications

- | | |
|-------------------------------|---------------------|
| ■ Low pressure steam | ■ Caustic solutions |
| ■ Industrial gases | ■ Acid solutions |
| ■ Potable water | ■ Vacuum |
| ■ Process water (non-potable) | |

For more specific information on applications for MegaPress 316, contact Viega Technical Services at 1-800-976-9819.

MegaPress 316 systems are approved for underground use. When installed underground, MegaPress 316 should have proper corrosion protection in accordance with local and national codes.

Recommended Tools

- Standard size press tool (minimum hydraulic ram output of 7200 lbs.)
- #56013 MegaPress jaw/ring kit (½" to 2")
- #26200 MegaPress XL PressBooster with 2½" press ring
- #26201 MegaPress XL 3" and 4" press ring kit.

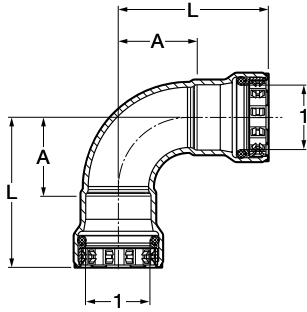
Smart Connect® Technology

MegaPress 316 fittings are manufactured with Viega's unique Smart Connect technology. Designed into the fitting itself, Smart Connect technology allows identifications of an unpressed fitting during pressure testing.

4 Dimensional Documents

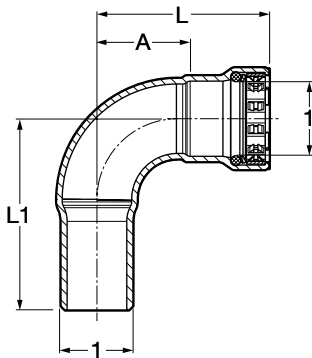
MegaPress Stainless 1/2" to 2" Fittings

MegaPress 90° Elbow, Stainless Steel, P x P - Models 4116 / 5116 / 6816



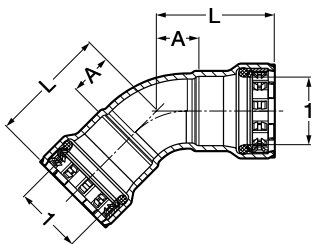
Part No.			Size (in)	A (in)	L (in)
304 FKM	316 EPDM	316 FKM			
95005	90005	91695	1/2	1.13	2.24
95010	90010	91700	3/4	1.32	2.52
95015	90015	91705	1	1.69	3.07
95785	90835	91710	1 1/4	1.96	3.82
95020	90020	91715	1 1/2	2.22	4.13
95025	90025	91720	2	2.76	4.76

MegaPress 90° Elbow, Stainless Steel, FTG x P - Models 4116.1 / 5116.1 / 6816.1



Part No.			Size (in)	A (in)	L (in)	L1 (in)
304 FKM	316 EPDM	316 FKM				
95030	90030	91725	1/2	1.13	2.24	2.56
95035	90035	91730	3/4	1.32	2.52	2.80
95040	90040	91735	1	1.69	3.07	3.39
95845	90895	91740	1 1/4	1.96	3.82	4.04
95045	90045	91745	1 1/2	2.22	4.13	4.21
95050	90050	91750	2	2.76	4.76	5.08

MegaPress 45° Elbow, Stainless Steel, P x P - Models 4126 / 5126 / 6826



Part No.			Size (in)	A (in)	L (in)
304 FKM	316 EPDM	316 FKM			
95055	90055	91755	1/2	0.56	1.67
95060	90060	91760	3/4	0.67	1.87
95065	90065	91765	1	0.82	2.20
95790	90840	91770	1 1/4	0.94	2.80
95070	90070	91775	1 1/2	1.08	2.99
95075	90075	91780	2	1.28	3.29