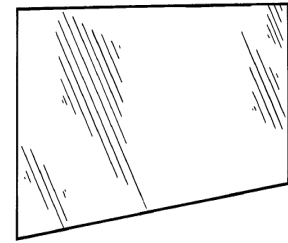




MEDICINE CABINETS

**SPECIFICATION SHEET**

**WM3636BVBP3  
Wall Mirror**

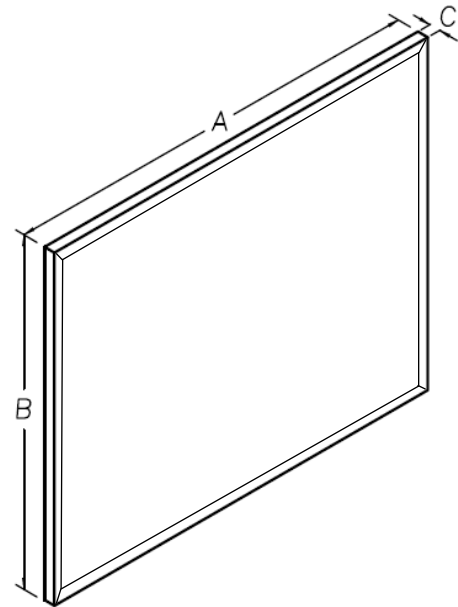


**FEATURES/TYPICAL SPECIFICATIONS**

- Surface Mount Installation
- 5/32" thick float glass mirror with 1/2" beveled edge, 4 sides
- Silver mirror with IR cured, protective paint backing
- Overall Weight: 17.9 lbs
- Manufactured in accordance with ASTM C 1036 and C 1503
- Point of Origin: USA
- Individually packaged
- Shipped as part of a 3 mirror bulk pack
- Mounting hardware available for purchase separately

**Finishes:**

- Housing: N/A
- Mirror: 1/2" Bevel
- Frame: Frameless



		Dimensions In Inches		
Model #	Description	A	B	C
WM3636BVBP3	36 X 36 1/2BV MIRROR MASTER PACK 3	35.938	35.938	0.156

REFERENCE	QTY.	REMARKS	Project
			Location
			Architect
			Engineer
			Contractor
			Submitted by <span style="float: right;">Date</span>

\* All models and material specifications are subject to change or withdrawal without notice.

SWM3636BVBP3\_A00