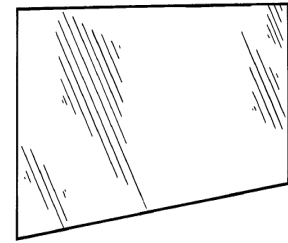




MEDICINE CABINETS

# SPECIFICATION SHEET

## WM2436BVBP5 Wall Mirror

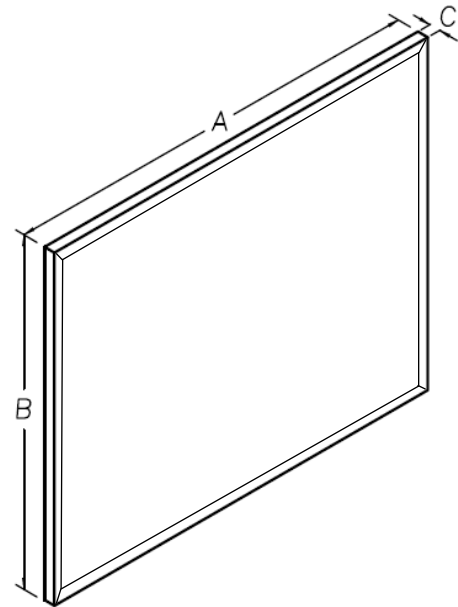


### FEATURES/TYPICAL SPECIFICATIONS

- Surface Mount Installation
- 5/32" thick float glass mirror with 1/2" beveled edge, 4 sides
- Silver mirror with IR cured, protective paint backing
- Overall Weight: 12 lbs
- Manufactured in accordance with ASTM C 1036 and C 1503
- Point of Origin: USA
- Individually packaged
- Shipped as part of a 5 mirror bulk pack
- Mounting hardware available for purchase separately

### Finishes:

- Housing: N/A
- Mirror: 1/2" Bevel
- Frame: Frameless



		Dimensions In Inches		
Model #	Description	A	B	C
WM2436BVBP5	24 X 36 1/2BV MIRROR MASTER PACK 5	35.938	23.938	0.156

REFERENCE	QTY.	REMARKS	Project
			Location
			Architect
			Engineer
			Contractor
			Submitted by <span style="float: right;">Date</span>

\* All models and material specifications are subject to change or withdrawal without notice.

SWM2436BVBP5\_A00