

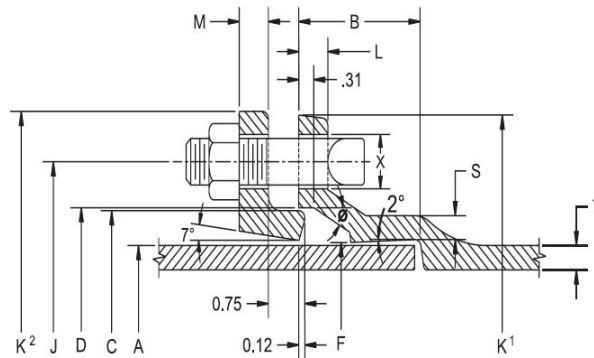
DOMESTIC

NON-DOMESTIC

SUBMITTAL: C153 MECHANICAL JOINT PRODUCT

(Current revisions for the noted Standards apply)

- SIZES:** 2" - 64" (2" not included in ANSI/AWWA C153 standard)
- STANDARDS:** ANSI/AWWA C153/A21.53, NFPA13/24, 3"-16" UL and 3"-10" FM listed & approved (File - Tyler Union)
- MATERIAL:** Cast of ASTM A536 qualified ductile iron. Date code is cast on and required for traceability.
- PRESSURE RATING:** *Flanged fittings rated at 250 psi. Mechanical joints 2" – 24" rated at 350 psi and 30" – 48" at 250 psi.
*Note: With rubber annular ring flange gasket, 2" – 24" Flanged fittings can be rated at 350 psi.
Note: Wyes over 12" are not pressure rated. Contact Tyler Union for rating in your application.
- DEFLECTION:** Joint deflection 5° max for 2"– 12" and 3° max for 14"– 48". Reduces by 50% at nominal pipe & fitting diameters
- NSF-61 & NSF372:** Meets all requirements including Annex G, Tyler Union's Underwriters Laboratory listing MH16439.
- ASPHALT COATING:** Per ANSI/AWWA C104/A21.4 and ANSI/AWWA C153/A21.53.
- CEMENT LINING:** Per ANSI/AWWA C104/A21.4, with double cement lining available upon request.
- EPOXY COATING:** Fusion bonded epoxy per ANSI/AWWA C116/A21.16. Additional coatings available upon request.
- BARE FITTINGS:** Available upon request.
- FASTNERS:** High strength low alloy weathering steel per ANSI/AWWA C111/A21.11 and ASTM A242
- INSTALLATION:** Install per AWWA C600/C651 using pipe conforming to ANSI/AWWA C151/A21.51 or AWWA C900/905.



NOMINAL JOINT DIMENSIONS IN INCHES

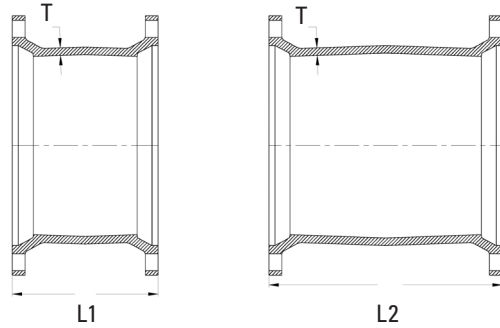
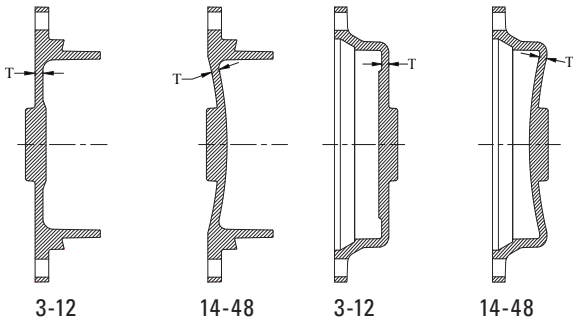
BOLTS

Size Inches	A Dia. DI Pipe	B Hub Depth	C Dia. GLAND	D Dia.	F Dia.	J Dia. GLAND	K ¹ Dia.	K ² Dia. GLAND	L	M GLAND	S	T	X	Size	Qty.
2	2.51	2.50	3.50	3.60	2.61	4.75	6.19	6.89	0.58	0.62	0.36	0.30	3/4	5/8x3	2
3	3.96	2.50	4.84	4.94	4.06	6.19	7.62	7.69	0.58	0.62	0.39	0.33	3/4	5/8x3	4
4	4.80	2.50	5.92	6.02	4.90	7.50	9.06	9.12	0.60	0.75	0.39	0.34	7/8	3/4x3-1/2	4
6	6.90	2.50	8.02	8.12	7.00	9.50	11.06	11.12	0.63	0.88	0.43	0.36	7/8	3/4x3-1/2	6
8	9.05	2.50	10.17	10.27	9.15	11.75	13.31	13.37	0.66	1.00	0.45	0.38	7/8	3/4x4	6
10	11.10	2.50	12.22	12.34	11.20	14.00	15.62	15.62	0.70	1.00	0.47	0.40	7/8	3/4x4	8
12	13.20	2.50	14.32	14.44	13.30	16.25	17.88	17.88	0.73	1.00	0.49	0.42	7/8	3/4x4	8
14	15.30	3.50	16.40	16.54	15.44	18.75	20.31	20.25	0.79	1.25	0.55	0.47	7/8	3/4x4-1/2	10
16	17.40	3.50	18.50	18.64	17.54	21.00	22.56	22.50	0.85	1.31	0.58	0.50	7/8	3/4x4-1/2	12
18	19.50	3.50	20.60	20.74	19.64	23.25	24.83	24.75	1.00	1.38	0.68	0.54	7/8	3/4x4-1/2	12
20	21.60	3.50	22.70	22.84	21.74	25.50	27.08	27.00	1.02	1.44	0.69	0.57	7/8	3/4x4-1/2	14
24	25.80	3.50	26.90	27.04	25.94	30.00	31.58	31.50	1.02	1.56	0.75	0.61	7/8	3/4x5	16
30	32.00	4.50	33.29	33.46	32.17	36.88	39.12	39.12	1.31	2.00	0.82	0.66	1-1/8	1x6	20
36	38.30	4.50	39.59	39.76	38.47	43.75	46.00	46.00	1.45	2.00	1.00	0.74	1-1/8	1x6	24
42	44.50	4.50	45.79	45.96	44.67	50.62	53.12	53.12	1.45	2.00	1.25	0.82	1-3/8	1-1/4x6-1/2	28
48	50.80	4.50	52.09	52.26	50.97	57.50	60.00	60.00	1.45	2.00	1.35	0.90	1-3/8	1-1/4x6-1/2	32
54	Available on Request														
60	Available on Request														
64	Available on Request														

Anniston: 1501 W 17th St. • Anniston, AL 36201 • (800) 226-7601
Corona: 1001 El Camino Ave. • Corona, CA 92879 • (866) 527-8471
Tyler: 11910 CR 492 • Tyler, Texas 75706 • (800) 527-8478
Dallas: 1201 Ave. S. Suite100 • Grande Prairie, TX 75050

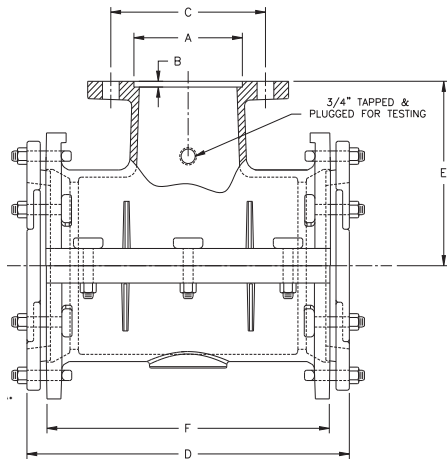
Elmer: 701 Kenyon Ave. • Elmer, New Jersey 03318
New Lenox: 2200 West Haven • New Lenox, IL 60451
Portland: 15670 N. Lombard St. • Portland, OR 97203
Oxford: 1800 Greenbrier Dear Road • Anniston, AL 36207

C153 DUCTILE IRON COMPACT FITTINGS



SOLID & TAPPED PLUGS & CAPS							
Domestic					Import		
Size	T	Max. Tap	Weight		T	Weight	
			Plugs	Caps		Plugs	Caps
3	0.46	2	9	8	0.33	8	8
4	0.46	2	9	10	0.34	10	9
6	0.46	2	13	18	0.36	16	15
8	0.46	2	25	26	0.38	26	22
10	0.56	2	36	32	0.40	36	32
12	0.56	2	47	46	0.42	46	42
14	0.62	2	76	85	0.47	75	66
16	0.62	2	98	94	0.50	95	92
18	0.65	2	138	121	0.54	121	114
20	0.66	2	158	149	0.57	135	125
24	0.68	2	202	232	0.61	296	198
30	0.66	2	426	345	0.66	355	345
36	0.74	2	560	626	0.74	688	628
42	0.82	2	1091	723	0.82	-	-
48	0.90	2	1455	974	0.90	-	-

SOLID SLEEVES										
Domestic						Import				
Size	T	L1	L2	Weight		T	L1	L2	Weight	
				Short	Long				Short	Long
3	0.34	7.50	12.00	13	22	0.33	7.50	12.00	12	17
4	0.35	7.50	12.00	19	25	0.34	7.50	12.00	15	20
6	0.37	7.50	12.00	28	37	0.36	7.50	12.00	23	29
8	0.39	7.50	12.00	38	49	0.38	7.50	12.00	31	45
10	0.41	7.50	12.00	48	68	0.40	7.50	12.00	45	61
12	0.43	7.50	12.00	58	81	0.42	7.50	12.00	56	76
14	0.56	9.50	15.00	107	153	0.47	9.50	15.00	94	128
16	0.57	9.50	15.00	116	174	0.50	9.50	15.00	118	159
18	0.68	9.50	15.00	154	207	0.54	9.00	15.00	145	200
20	0.69	9.50	15.00	200	249	0.57	9.00	15.00	173	236
24	0.75	9.50	15.00	232	323	0.61	9.00	15.00	226	306
30	0.74	15.00	24.00	549	640	0.66	15.00	24.00	472	634
36	0.74	15.00	24.00	725	868	0.74	15.00	24.00	673	889
42	0.82	-	24.00	-	1146	0.82	15.00	24.00	887	1150
48	0.90	-	24.00	-	1431	0.90	15.00	24.00	1136	1435



TAPPING SLEEVE FOR CAST IRON/DUCTILE IRON										
Size	A	B	C	D	E	F	Min.	Max	Weight	
6X4	5.016	0.250	7.50	15.75	8.00	12.75	6.85	7.15	104	
6	7.016	0.312	9.50	15.75	8.00	12.75	6.85	7.15	108	
8X4	5.016	0.250	7.50	16.50	9.00	13.50	9.00	9.35	134	
8X6	7.016	0.312	9.50	16.50	9.00	13.50	9.00	9.35	140	
8	9.016	0.312	11.75	16.50	9.00	13.50	9.00	9.35	148	
10X4	5.016	0.250	7.50	24.00	11.00	20.75	11.04	11.45	236	
10X6	7.016	0.312	9.50	24.00	11.00	20.75	11.04	11.45	240	
10X8	9.016	0.312	11.75	24.00	11.00	20.75	11.04	11.45	246	
10	11.016	0.312	14.25	24.00	11.00	20.75	11.04	11.45	257	
12X4	5.016	0.250	7.50	26.50	12.00	23.25	13.14	13.56	273	
12X6	7.016	0.312	9.50	26.50	12.00	23.25	13.14	13.56	286	
12X8	9.016	0.312	11.75	26.50	12.00	23.25	13.14	13.56	292	
12X10	11.016	0.312	14.25	26.50	12.00	23.25	13.14	13.56	303	
12	13.016	0.312	17.00	26.50	12.00	23.25	13.14	13.56	320	

Note: Visit www.tylerunion.com for assembly instructions.
Tapping sleeve is assembled with gland and gasket.