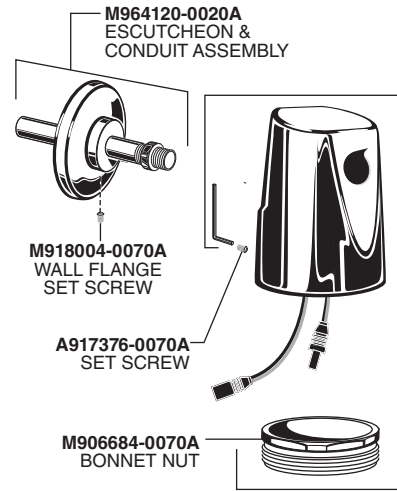


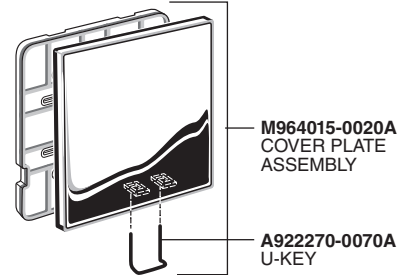
*American Standard*

**SELECTRONIC®**  
**AC POWERED PROXIMITY**  
**EXPOSED URINAL FLUSH VALVE**  
**0.125 0.25 0.5 & 1.0 GPF**

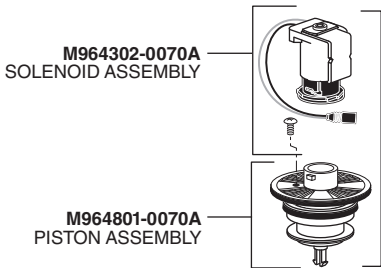
MODEL NUMBERS			
606B.101	606B.051	606B.025	606B.013



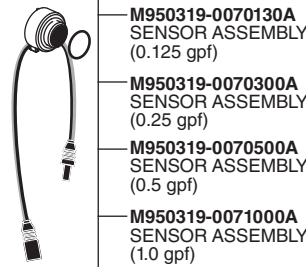
- M964120-0020A ESCUTCHEON & CONDUIT ASSEMBLY
- M918004-0070A WALL FLANGE SET SCREW
- A917376-0070A SET SCREW
- M906684-0070A BONNET NUT
- M964943-0020130A COVER ASSEMBLY (0.125 gpf)
- M964943-0020250A COVER ASSEMBLY (0.25 gpf)
- M964943-0020500A COVER ASSEMBLY (0.5 gpf)
- M964943-0021000A COVER ASSEMBLY (1.0 gpf)



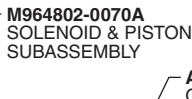
- M964015-0020A COVER PLATE ASSEMBLY
- A922270-0070A U-KEY



- M964302-0070A SOLENOID ASSEMBLY
- M964801-0070A PISTON ASSEMBLY



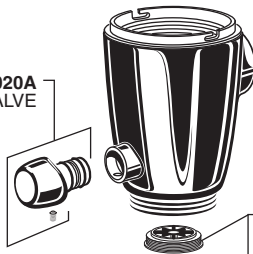
- M950319-0070130A SENSOR ASSEMBLY (0.125 gpf)
- M950319-0070300A SENSOR ASSEMBLY (0.25 gpf)
- M950319-0070500A SENSOR ASSEMBLY (0.5 gpf)
- M950319-0071000A SENSOR ASSEMBLY (1.0 gpf)



- M964802-0070A SOLENOID & PISTON SUBASSEMBLY



- A912809-0070A O-RING



- M950354-0020A MANUAL VALVE
- M962801-0070A FLOW REGULATOR (Before July 2015)
- M923189-0070A FLOW REGULATOR (After July 2015)



- M964945-0020A ADJUSTABLE TAILPIECE (4-1/4" to 5-1/4" Rough-in)

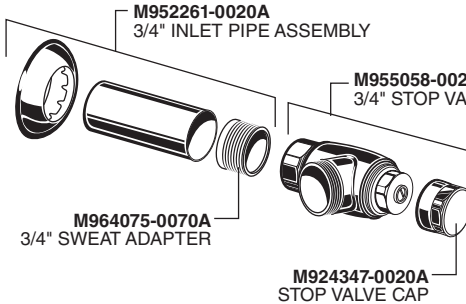
- OPTIONAL ADJUSTABLE TAILPIECE (Purchased Separately)
- M962836-0020A (8-1/4" to 9-1/4" Rough-in)
- M962835-0020A (7-1/4" to 8-1/4" Rough-in)
- M962834-0020A (6-1/4" to 7-1/4" Rough-in)
- M962833-0020A (5-1/4" to 6-1/4" Rough-in)



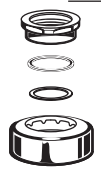
- M964402-0070A VACUUM BREAKER KIT



- M964412-0020A 3/4" VACUUM BREAKER KIT



- M952261-0020A 3/4" INLET PIPE ASSEMBLY
- M955058-0020A 3/4" STOP VALVE KIT
- M964075-0070A 3/4" SWEAT ADAPTER
- M924347-0020A STOP VALVE CAP



- M952262-0020A ESCUTCHEON KIT

**POWER KITS**

**Hard-Wired AC**

- M950399-0070A SINGLE AC ADAPTER
- M950360-0070A CONNECTOR LOCKING DEVICE
- M950511-0070A 10' EXTENSION CABLE
- M950520-0070A HARD-WIRED AC TRANSFORMER

**Multi-AC**

- M950512-0070A Y-ADAPTER
- M950511-0070A 10' EXTENSION

**HOT LINE FOR HELP**

For toll-free information and answers to your questions, call:

(844) CRT-TEAM / (844) 278-8326

Mon. - Fri. 8:00 a.m. to 8:00 p.m. EST Sat. 10:00 a.m. to 4:00 p.m. EST

IN MEXICO 01-800-839-1200

IN CANADA 1-800-387-0369 (TORONTO 1-905-306-1093)

Weekdays 8:00 a.m. to 7:00 p.m. EST

Product names listed herein are trademarks of AS America, Inc. ©2016

To learn more about American Standard Selectronic® Products visit our website at: [www.americanstandard-us.com](http://www.americanstandard-us.com) or e-mail us at: [CRTEAM@americanstandard.com](mailto:CRTEAM@americanstandard.com)

PART OF **LIXIL**