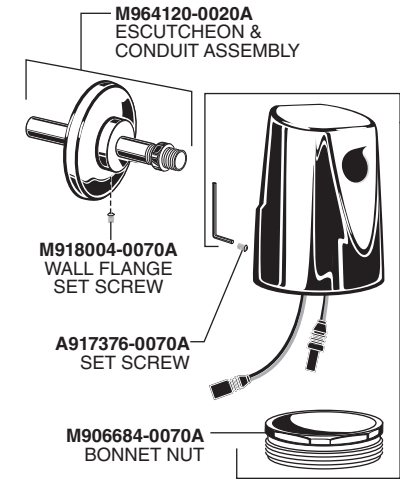


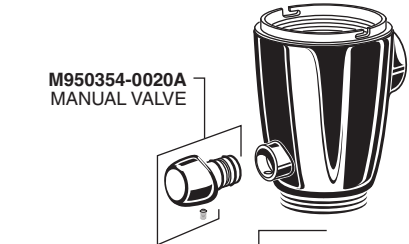
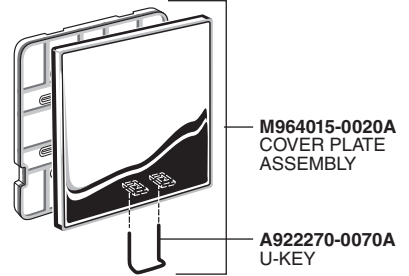
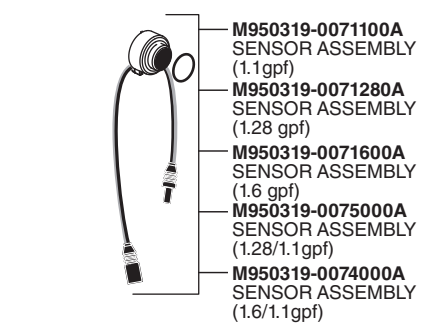
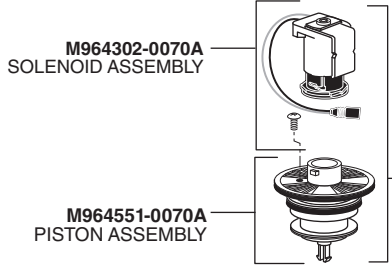
American Standard

SELECTRONIC®
AC POWERED PROXIMITY
EXPOSED TOILET FLUSH VALVE
1.1, 1.28, 1.6, 1.6/1.1 & 1.28/1.1 GPF

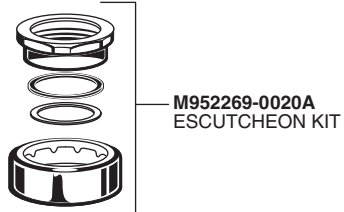
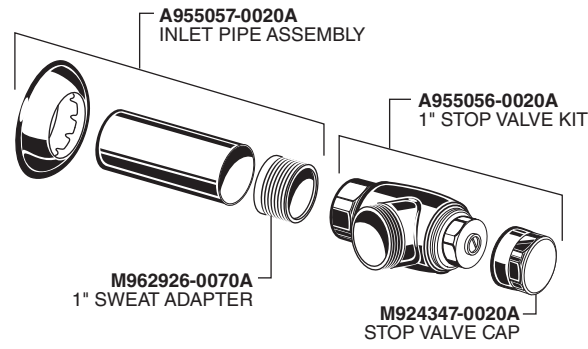
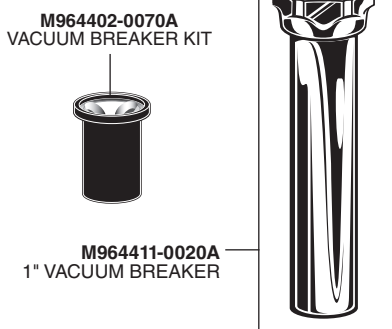
MODEL NUMBERS				
606B.111	606B.121	606B.161	606B.721	606B.761



- M964943-0021100A
COVER ASSEMBLY
(1.1 gpf)
- M964943-0021280A
COVER ASSEMBLY
(1.28 gpf)
- M964943-0021600A
COVER ASSEMBLY
(1.6 gpf)
- M964943-0023000A
COVER ASSEMBLY
(1.28/1.1 gpf)
- M964943-0024000A
COVER ASSEMBLY
(1.6/1.1 gpf)



- A912809-0070A
O-RING
- OPTIONAL ADJUSTABLE TAILPIECE
(Purchased Separately)
- M962836-0020A (8-1/4" to 9-1/4" Rough-in)
- M962835-0020A (7-1/4" to 8-1/4" Rough-in)
- M962834-0020A (6-1/4" to 7-1/4" Rough-in)
- M962833-0020A (5-1/4" to 6-1/4" Rough-in)



POWER KITS

Hard-Wired AC

- M950399-0070A
SINGLE AC
ADAPTER
- M950360-0070A
CONNECTOR
LOCKING DEVICE
- M950511-0070A
10' EXTENSION
CABLE
- M950520-0070A
HARD-WIRED AC
TRANSFORMER

Multi-AC

- M950512-0070A
Y-ADAPTER
- M950511-0070A
10' EXTENSION

HOT LINE FOR HELP
 For toll-free information and answers to your questions, call:
 (844) CRT-TEAM / (844) 278-8326
 Mon. - Fri. 8:00 a.m. to 8:00 p.m. EST Sat. 10:00 a.m. to 4:00 p.m. EST
 IN MEXICO 01-800-839-1200
 IN CANADA 1-800-387-0369 (TORONTO 1-905-306-1093)
 Weekdays 8:00 a.m. to 7:00 p.m. EST

Product names listed herein are trademarks of AS America, Inc. ©2016

To learn more about American Standard Selectronic® Products visit our website at:
www.americanstandard-us.com or e-mail us at: CRTEAM@americanstandard.com

PART OF **LIXIL**