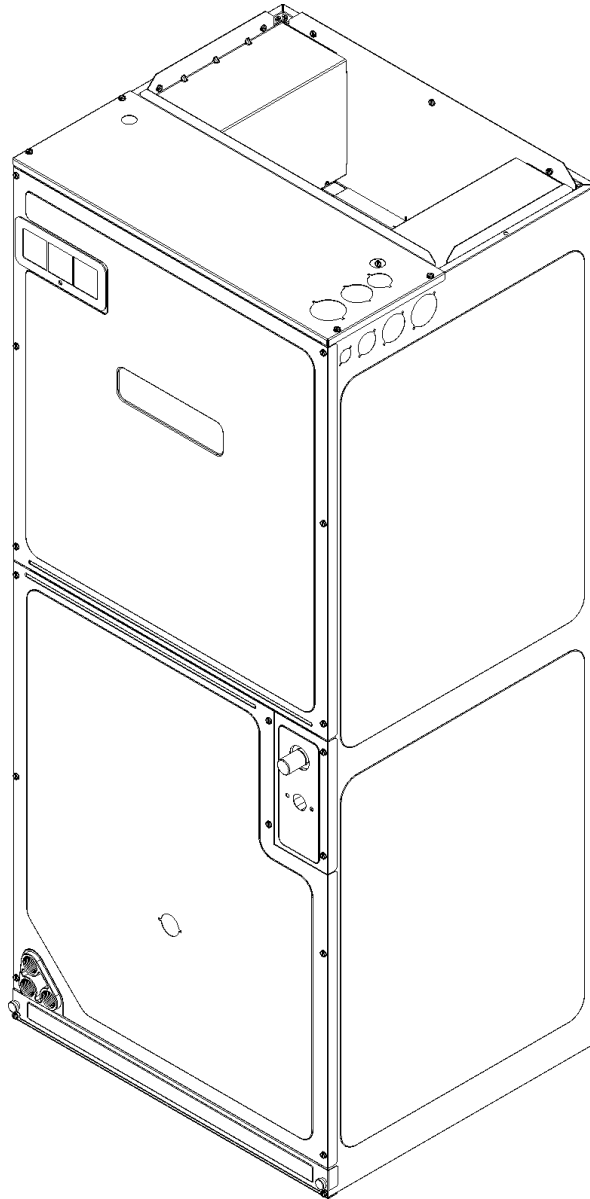


REPAIR PARTS

AVPTC Air Handler

AVPTC24B14AA
AVPTC30C14AA
AVPTC36C14AA
AVPTC42D14AA
AVPTC42D14AB
AVPTC48D14AA
AVPTC48D14AB
AVPTC60D14AA
AVPTC60D14AB



This manual is to be used by qualified technicians only.

This manual replaces RP-775A.

© 2013 Goodman Manufacturing Company, L.P. ♦ 5151 San Felipe, Suite 500 ♦ Houston, TX 77056

Important Information

Index

Functional Parts List	3
Illustration and Parts	4 - 9

Views shown are for parts illustrations only, not servicing procedures

Rev B: updated coil assy's per ECR1308351

Text Codes:

AR - As Required

NA - Not Available

NS - Not Shown

00000000 - See Note

QTY - Quantity Example (QTY 3) (If Quantity not shown, Quantity = 1)

M - Model Example (M1) (If M Code not shown, then part is used on all Models)

Expanded Model Nomenclature:

Example M1 - Model#1 M2 - Model#2 M3 - Model#3

Goodman Manufacturing Company, L.P. is not responsible for personal injury or property damage resulting from improper service. Review all service information before beginning repairs.

Warranty service must be performed by an authorized technician, using authorized factory parts. If service is required after the warranty expires, Goodman Manufacturing Company, L.P. also recommends contacting an authorized technician and using authorized factory parts.

Goodman Manufacturing Company, L.P. reserves the right to discontinue, or change at any time, specifications or designs without notice or without incurring obligations.

For assistance within the U.S.A. contact:
Consumer Affairs Department
Goodman Manufacturing Company, L.P.
7401 Security Way
Houston, Texas 77040
877-254-4729-Telephone
713-863-2382-Facsimile

For assistance outside the U.S.A. contact:
International Division
Goodman Manufacturing Company, L.P.
7401 Security Way
Houston, Texas 77040
713-861-2500-Telephone
713-863-2382-Facsimile

Functional Parts

Part

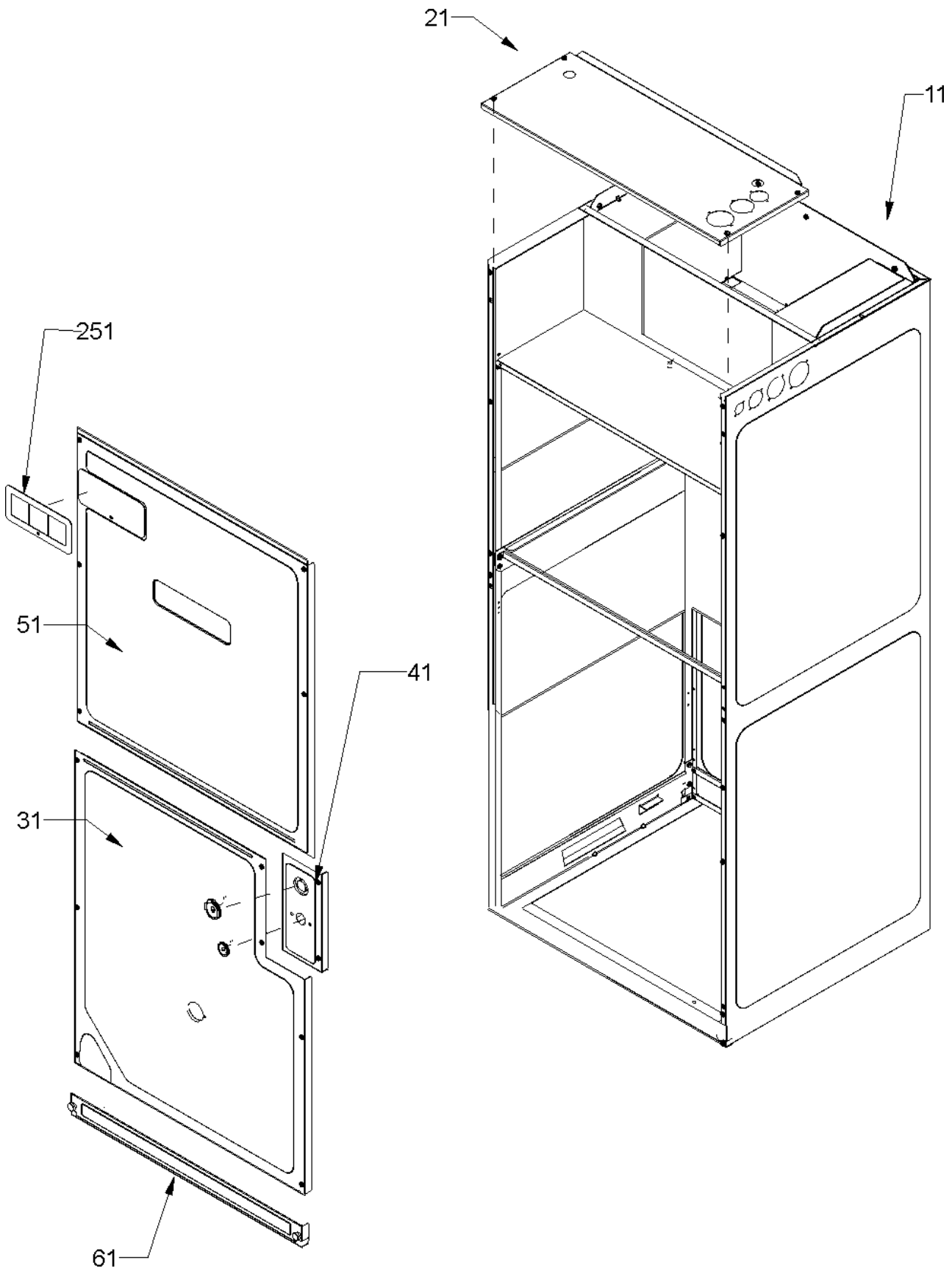
No: Description:

D6723311	BLOWER WHEEL (M8, M9)
BT1368008	BLOWER WHEEL 10 X 6 (M1)
B1368058	BLOWER WHEEL 10 X 8 (M2)
0150M00037	BLOWER WHEEL, 10 X 10 (M3, M4, M5, M6, M7)
0131M00272	MOTOR, 1 HP, SERIAL ECM (M8, M9)
0131M00270	MOTOR, 1/2 HP, SERIAL ECM (M1, M2)
0131M00271	MOTOR, 3/4 HP, SERIAL ECM (M3, M4, M5, M6, M7)
PCBJA103	PCB, CONTROL, AIR HANDLER
0130M00138	TRANSFORMER, 208/230, 24V
B1787000	VALVE CORE

Expanded Model Nomenclature

M1 - AVPTC24B14AA
M2 - AVPTC30C14AA
M3 - AVPTC36C14AA
M4 - AVPTC42D14AA
M5 - AVPTC42D14AB
M6 - AVPTC48D14AA
M7 - AVPTC48D14AB
M8 - AVPTC60D14AA
M9 - AVPTC60D14AB

Cabinet Assy



Cabinet Assy

Ref. Part

No: No:

Description:

Ref. Part

No: No:

Description:

Image 1:

11	0270A00655PDG	Wrapper Assy, Painted (M1)
11	0270A00689PDG	Wrapper Assy, Painted (M2, M3)
11	0270A00690PDG	Wrapper Assy, Painted (M4, M5, M6, M7, M8, M9)
21	0121A00373PDG	Plate, Upper tie, Painted (M1)
21	0121A00374PDG	Plate, Upper tie, Painted (M2, M3)
21	0121A00375PDG	Plate, Upper tie, Painted (M4, M5, M6, M7, M8, M9)
31	0121A00248PDG	Panel, Lower Access, Ptd (M1)
31	0121A00249PDG	Panel, Lower Access, Ptd (M2, M3)
31	0121A00250PDG	Panel, Lower Access, Ptd (M4, M5, M6, M7, M8, M9)
41	0121A00366	Panel, Refrigerant Tubing
51	0121A00387PDG	Panel, Upper Access, Ptd (M1)
51	0121A00388PDG	Panel, Upper Access, Ptd (M4, M5, M6, M7, M8, M9)
51	0121A00389PDG	Panel, Upper Access, Ptd (M2, M3)
61	0121A00242PDG	Panel, Filter Access, Ptd (M1)
61	0121A00243PDG	Panel, Filter Access, Ptd (M2, M3)
61	0121A00244PDG	Panel, Filter Access, Ptd (M4, M5, M6, M7, M8, M9)
251	0161A00034	PLASTIC BREAKER INSERT
NS	BT1369063	90 DEGREE STUB
NS	0164A00002	GROMMET
NS	B1392630	GROMMET
NS	0163M00036	SCREW,#10X1/2,B,BZ,SLOT,SR,BLK
NS	0163A00023	THUMB SCREW (QTY 2)

Expanded Model Nomenclature

- | |
|-------------------|
| M1 - AVPTC24B14AA |
| M2 - AVPTC30C14AA |
| M3 - AVPTC36C14AA |
| M4 - AVPTC42D14AA |
| M5 - AVPTC42D14AB |
| M6 - AVPTC48D14AA |
| M7 - AVPTC48D14AB |
| M8 - AVPTC60D14AA |
| M9 - AVPTC60D14AB |

Control Panel / Coil Tubing

IMAGE 1

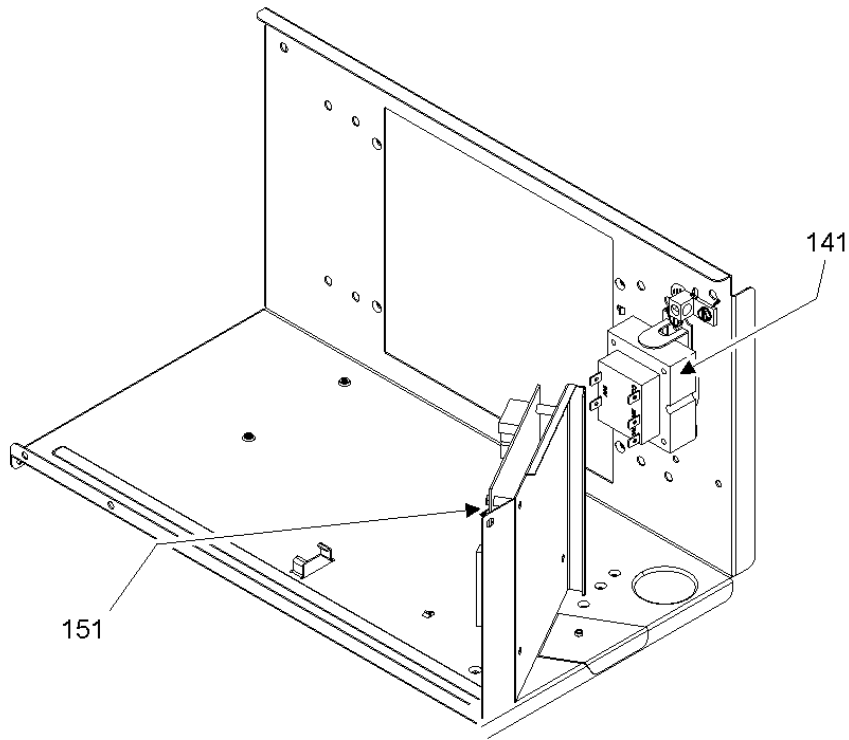
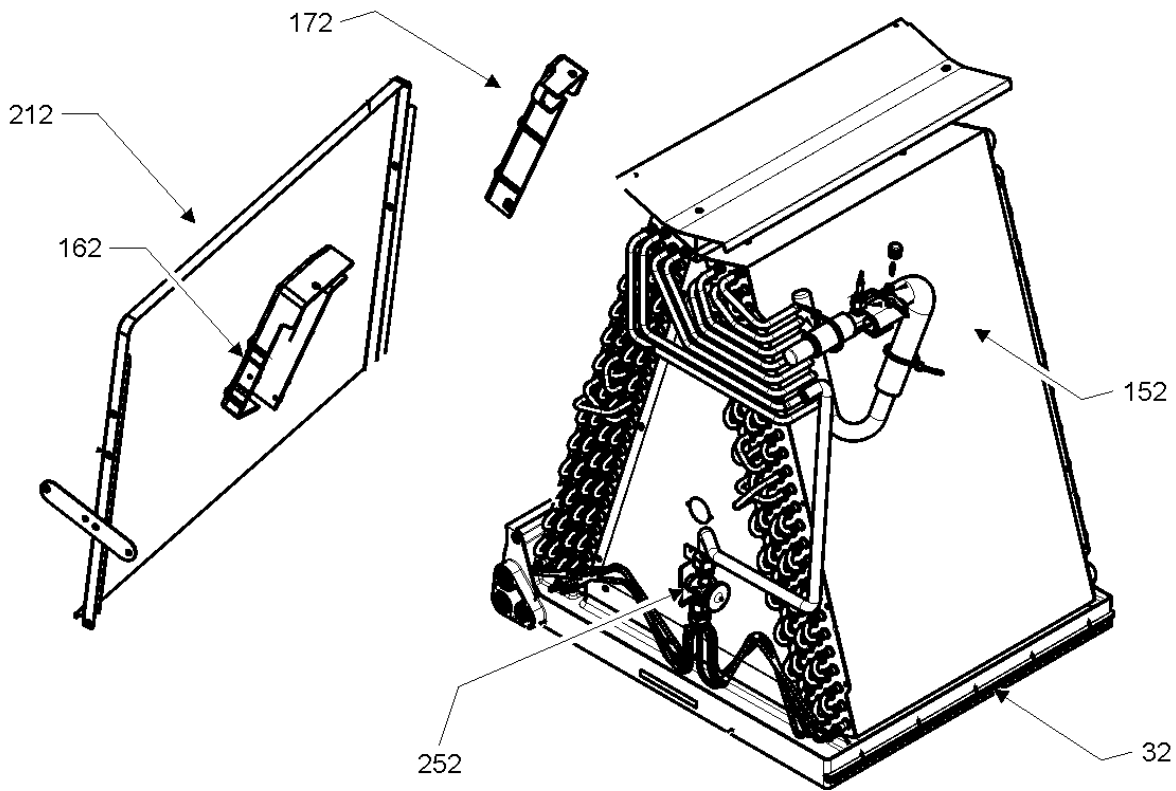


IMAGE 2



Control Panel / Coil Tubing

Ref. Part No:	Ref. Part No:	Description:	Description:
---------------	---------------	--------------	--------------

Image 1:

141	0130M00138	TRANSFORMER, 208/230, 24V
151	PCBJA103	PCB, CONTROL, AIR HANDLER
NS	0259A00012P	WIRE ASSY, 9 PIN FEMALE CONN.
NS	0259A00016	WIRE HARNESS

Image 2:

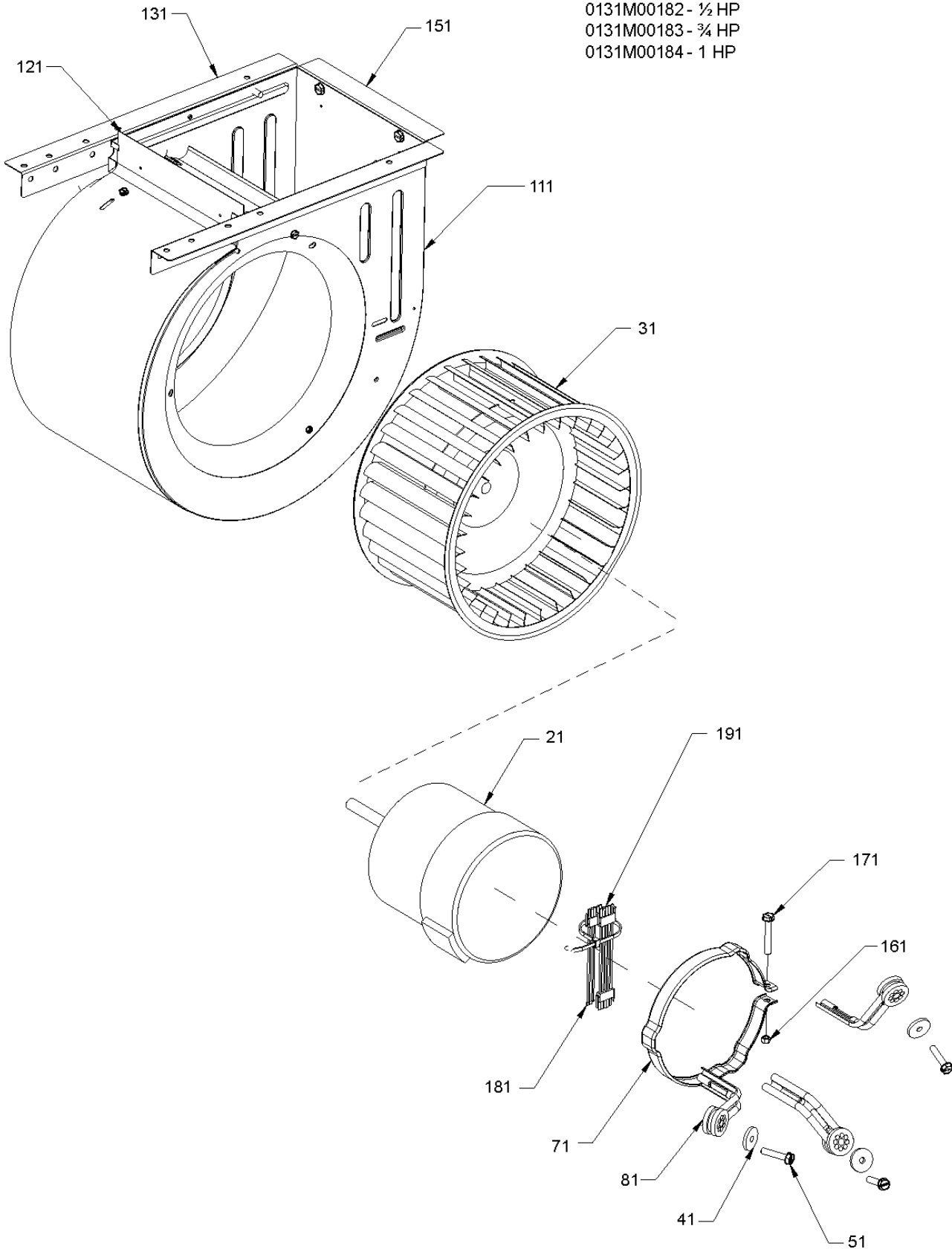
32	0161A00026	DRAIN PAN (M1)
32	0161A00027	DRAIN PAN (M2, M3)
32	0161A00028	DRAIN PAN (M4, M5, M6, M7, M8, M9)
152	0270A00720	COIL TUBING ASSY (M1)
152	0270A00721	COIL TUBING ASSY (M2)
152	0270A00722	COIL TUBING ASSY (M3)
152	0270A00723	COIL TUBING ASSY (M4, M5)
152	0270A00724	COIL TUBING ASSY (M6, M7, M8, M9)
162	0161A00024	Plastic Condensate Collector
172	0161A00025	Plastic Condensate Collector
212	0121A00304PDG	Drip Shield, Ptd (M1)
212	0121A00305PDG	Drip Shield, Ptd (M2, M3)
212	0121A00306PDG	Drip Shield, Ptd (M4, M5, M6, M7, M8, M9)
252	0151R00049	VALVE, TXV R410A (M1, M2)
252	0151R00051	VALVE, TXV R410A (M3, M4, M5)
252	0151R00053	VALVE, TXV R410A (M6, M7, M8, M9)
NS	0163M00175	CAP WITH O-RING
NS	0154A00003BL	Gasket, Drain Pan
NS	B1787000	VALVE CORE

Expanded Model Nomenclature

M1 - AVPTC24B14AA
M2 - AVPTC30C14AA
M3 - AVPTC36C14AA
M4 - AVPTC42D14AA
M5 - AVPTC42D14AB
M6 - AVPTC48D14AA
M7 - AVPTC48D14AB
M8 - AVPTC60D14AA
M9 - AVPTC60D14AB

Blower Components

*If end bells are needed please order the following:
0131M00182 - 1/2 HP
0131M00183 - 3/4 HP
0131M00184 - 1 HP



Blower Components

Ref. Part No:	Ref. Part No:	Description:	Description:
---------------	---------------	--------------	--------------

Image 1:

21	0131M00272	MOTOR, 1 HP, SERIAL ECM (M8, M9)
21	0131M00270	MOTOR, 1/2 HP, SERIAL ECM (M1, M2)
21	0131M00271	MOTOR, 3/4 HP, SERIAL ECM (M3, M4, M5, M6, M7)
31	D6723311	BLOWER WHEEL (M8, M9)
31	BT1368008	BLOWER WHEEL 10 X 6 (M1)
31	B1368058	BLOWER WHEEL 10 X 8 (M2)
31	0150M00037	BLOWER WHEEL, 10 X 10 (M3, M4, M5, M6, M7)
41	B1392918	WASHER, FLAT 1/4 ID X 1 OD (QTY 3)
51	M0250565	TC SCREW 1.25" (QTY 3)
71	0121M00038	MOTOR MOUNT BAND (M1, M2)
71	0121M00039	MOTOR MOUNT BAND (HEAVY DUTY) (M3, M4, M5, M6, M7, M8, M9)
81	B1376853	MOTOR MOUNT ARM (M1, M2)
81	B1376863	MOTOR MOUNT ARM (HEAVY DUTY) (M3, M4, M5, M6, M7, M8, M9)
111	0271A00150	BLOWER HOUSING (M1)
111	0271A00029	BLOWER HOUSING ASSY 10 X 8 (M2)
111	0271A00016	BLOWER SHELL (M3, M4, M5, M6, M7)
111	0271A00013	BLOWER SHELL (11 X 10) (M8, M9)
121	764741F	BLOWER BLOCK-OFF 10 X 10 (M3, M4, M5, M6, M7)
121	764740	BLOWER BLOCK-OFF, 10X8 (M2)
121	1864700	BLOWER CUT-OFF 10 X 10 (M8, M9)
121	3739000	BLOWER CUT-OFF 6" (M1)
131	0121A00275	Rail, Blower (M8, M9)
131	0121A00336	Rail, Blower (M1)
151	0121A00337	Angle, Blower Mounting (M1)
151	0121A00353	Angle, Blower Mounting (M8, M9)
161	B1393800	LOCKNUT, NYLON, INSERT 1/4, 20
171	B1393323	MACHINE SCREW HWH 1/4-20 X 1-1/2 BZ
181	0259A00020	HIGH VOLTAGE WIRE HARNESS
191	0259A00019	WIRE HARNESS

Expanded Model Nomenclature

- M1 - AVPTC24B14AA
- M2 - AVPTC30C14AA
- M3 - AVPTC36C14AA
- M4 - AVPTC42D14AA
- M5 - AVPTC42D14AB
- M6 - AVPTC48D14AA
- M7 - AVPTC48D14AB
- M8 - AVPTC60D14AA
- M9 - AVPTC60D14AB

*If end bells are needed please order the following:

- 0131M00182 - 1/2 HP
- 0131M00183 - 3/4 HP
- 0131M00184 - 1 HP