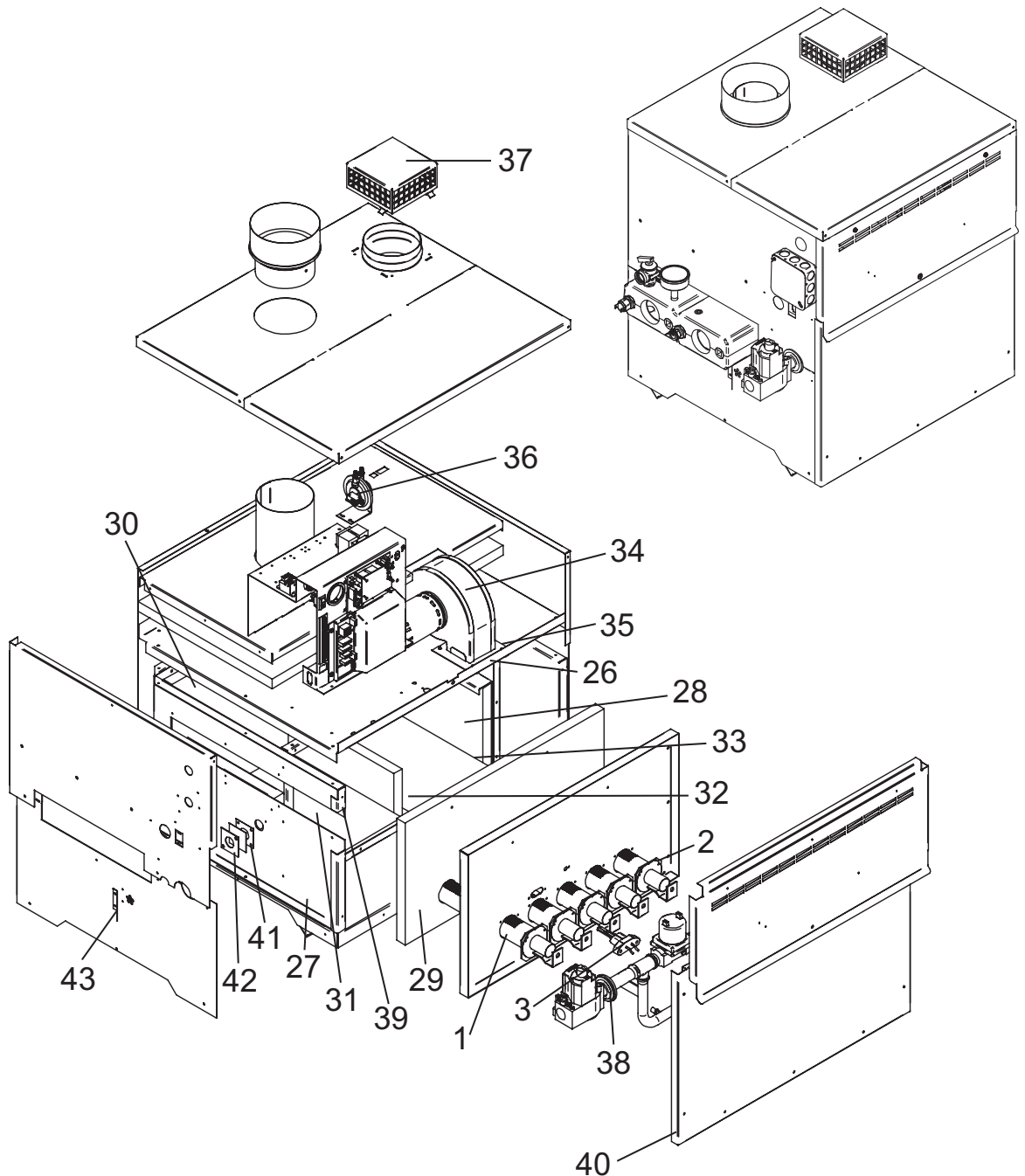




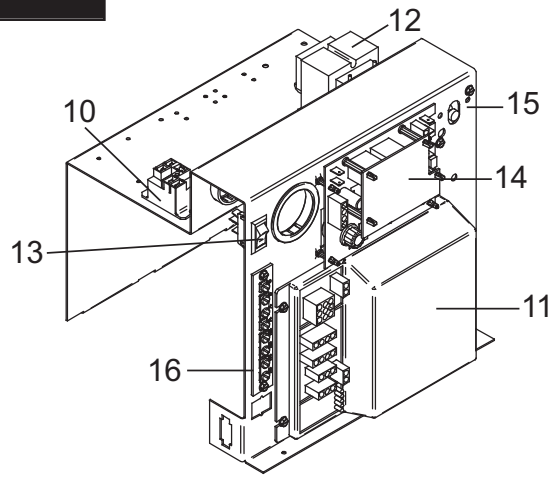
**Replacement Parts List**

**PARTS & SERVICE DEPARTMENT**  
 Lebanon, Tennessee  
 615-889-8900 • Fax: 615-547-1000  
 www.Lochinvar.com

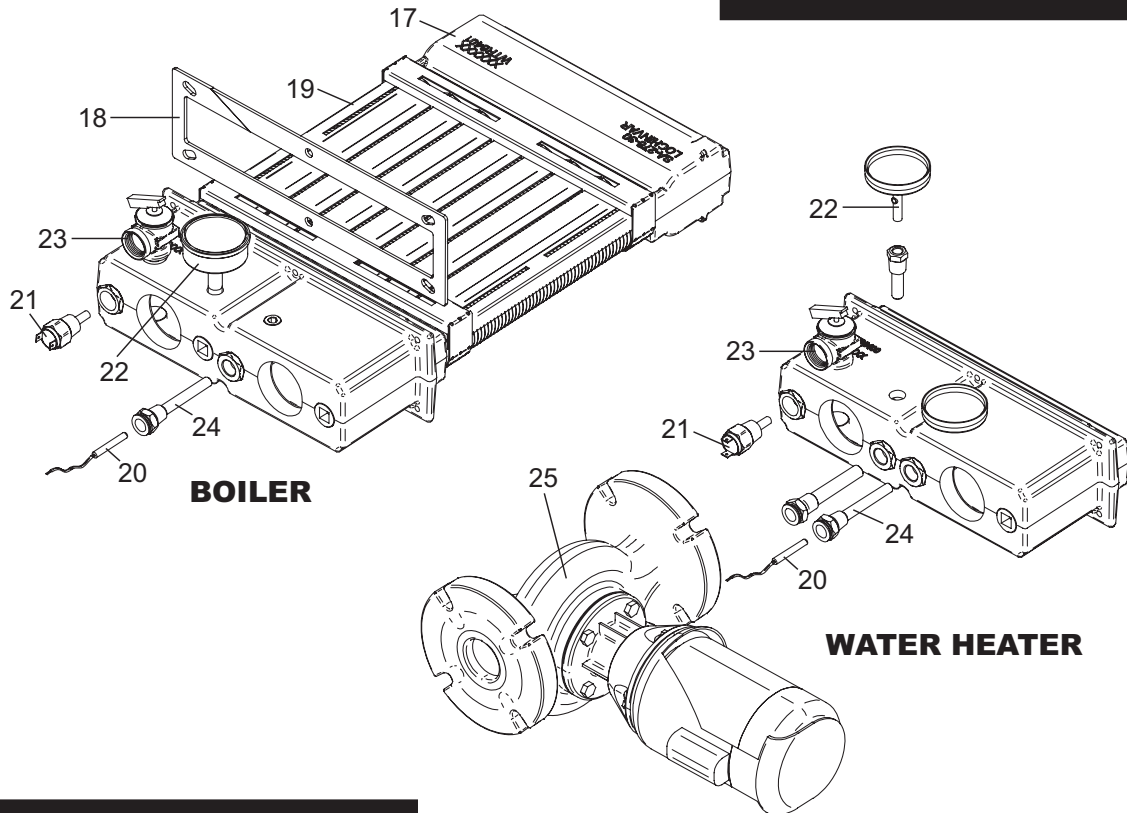
**EB 150 – 300**  
**EW 150 – 300**  
**Water Heaters & Boilers**  
 Starting Serial Number A05H00172365



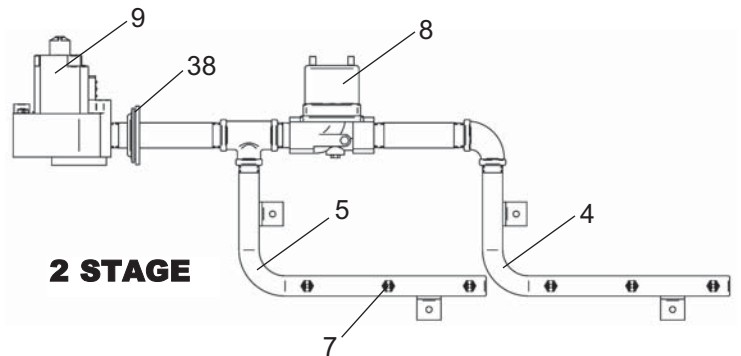
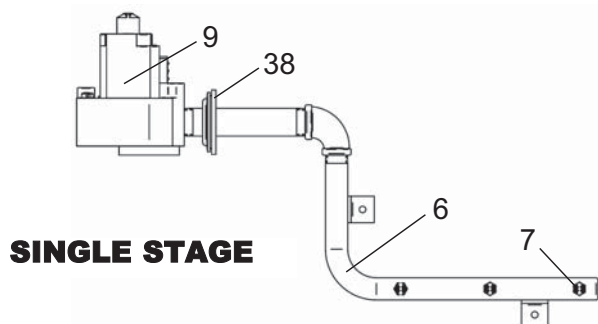
## CONTROL PANEL ASSEMBLY



## HEAT EXCHANGER ASSEMBLY



## GAS TRAIN ASSEMBLIES



ITEM NO.	PART NO.	DESCRIPTION	MODEL NO.
<b>PILOT &amp; BURNER ASSEMBLIES</b>			
1	BNR3417 IS MAIN BURNER BNR3416 IS MAIN BURNER WITH PRESSURE TAP (BURNERS INCLUDE BURNER GASKET)	<b>Model</b>	<b>BNR3417</b>
		150	2
		200	3
		250	4
		300	5
2	GKT2429	GASKET, BURNER	ALL
3	PLT3400	HOT SURFACE IGNITOR	ALL
4	MAN2441	GAS MANIFOLD, RIGHT	EB 150
4	MAN2440	GAS MANIFOLD, RIGHT	EB 200 - 250
4	MAN2439	GAS MANIFOLD, RIGHT	EB 300
5	MAN2440	GAS MANIFOLD, LEFT	EB 150 - 200
5	MAN2439	GAS MANIFOLD, LEFT	EB 250 - 300
6	MAN2439	GAS MANIFOLD	EW 150
6	MAN2442	GAS MANIFOLD	EW 200
6	MAN2443	GAS MANIFOLD	EW 250
6	MAN2444	GAS MANIFOLD	EW 300
7	ORF2406	ORIFICE, MAIN BURNER NAT.	ALL
7	ORF2407	ORIFICE, MAIN BURNER LPG	ALL
<b>GAS VALVES</b>			
8	VAL2409	GAS VALVE, HIGH FIRE	EB 150 - 300
9	VAL2412	GAS VALVE, NAT. MAIN	EB/EW 150 - 300
9	VAL2411	GAS VALVE, LPG MAIN	EB/EW 150 - 300
<b>CONTROLS</b>			
10	RLY2105	RELAY, PANEL MOUNT, 24 VAC, COIL	EB
10	RLY2052	RELAY, PANEL MOUNT, 24 VDC, COIL	EW
11	RLY2400	IGNITION MODULE	ALL
12	TRF2004	TRANSFORMER 50V.A.	ALL
13	MSC2426	SWITCH, ROCKER ON-OFF	ALL
14	TST2314	THERMOSTAT	EB
14	TST5314	THERMOSTAT	EW
15	KIT3117	MANUAL RESET HIGH LIMIT	EW
16	MSC2016	TERMINAL BOARD	ALL
<b>HEAT EXCHANGER</b>			
17	HEX3445	HEAT EXCHANGER	EB 150
17	HEX3028	HEAT EXCHANGER	EW 150
17	HEX3446	HEAT EXCHANGER	EB 200
17	HEX3029	HEAT EXCHANGER	EW 200
17	HEX3447	HEAT EXCHANGER	EB 250
17	HEX3030	HEAT EXCHANGER	EW 250
17	HEX3448	HEAT EXCHANGER	EB 300
17	HEX3031	HEAT EXCHANGER	EW 300
18	GKT2400	GASKET, FRONT HEADER	EB/EW 150 - 300
19	JKA2000	V-BAFFLE	EB/EW 150
19	JKA2001	V-BAFFLE	EB/EW 200
19	JKA2002	V-BAFFLE	EB/EW 250
19	JKA2003	V-BAFFLE	EB/EW 300
20	TST2032	SENSOR	ALL
21	HLC2500	HIGH LIMIT	EB 150 - 300
21	HLC2510	HIGH LIMIT	EW 150 - 300
22	GTP2900	GAUGE, T & P	EB
22	GTP3000	GAUGE, TEMPERATURE	EW
23	RLV2005	RELIEF VALVE, PRESSURE ONLY	EB
23	RLV2006	RELIEF VALVE, T & P	EW
24	TST2301	BULB WELL	ALL
<b>NOTE: EB = BOILER / EW = WATER HEATER</b> <b>PLEASE HAVE MODEL NUMBER AND SERIAL NUMBER WHEN ORDERING PARTS</b> <b>(BURNERS INCLUDE BURNER GASKET)</b>			

ITEM NO.	PART NO.	DESCRIPTION	MODEL NO.
<b>PUMPS</b>			
25	ARM3044PAB	PUMP WATER HEATER	EW 150-300
<b>LOCH-HEAT® TILE</b>			
26	FIB2800	LOCH-HEAT TILE, TOP	EB/EW 150
26	FIB2801	LOCH-HEAT TILE, TOP	EB/EW 200
26	FIB2802	LOCH-HEAT TILE, TOP	EB/EW 250
26	FIB2803	LOCH-HEAT TILE, TOP	EB/EW 300
27	FIB2420	LOCH-HEAT TILE, FRONT HEAD SIDE	EB/EW 150 - 300
28	FIB2421	LOCH-HEAT TILE, REAR HEAD SIDE	ALL
29	FIB2264	LOCH-HEAT TILE, FRONT	EB/EW 150
29	FIB2265	LOCH-HEAT TILE, FRONT	EB/EW 200
29	FIB2266	LOCH-HEAT TILE, FRONT	EB/EW 250
29	FIB2267	LOCH-HEAT TILE, FRONT	EB/EW 300
30	FIB2484	LOCH-HEAT TILE, BACK	EB/EW 150
30	FIB2485	LOCH-HEAT TILE, BACK	EB/EW 200
30	FIB2486	LOCH-HEAT TILE, BACK	EB/EW 250
30	FIB2487	LOCH-HEAT TILE, BACK	EB/EW 300
31	FIB2488	LOCH-HEAT TILE, BOTTOM LEFT	EB/EW 150
31	FIB2489	LOCH-HEAT TILE, BOTTOM LEFT	EB/EW 200
31	FIB2490	LOCH-HEAT TILE, BOTTOM LEFT	EB/EW 250
31	FIB2491	LOCH-HEAT TILE, BOTTOM LEFT	EB/EW 300
32	FIB2806	LOCH-HEAT TILE, DIVIDER	ALL
33	FIB2804	LOCH-HEAT TILE, BOTTOM RIGHT	EB/EW 150
33	FIB2489	LOCH-HEAT TILE, BOTTOM RIGHT	EB/EW 200
33	FIB2805	LOCH-HEAT TILE, BOTTOM RIGHT	EB/EW 250
33	FIB2491	LOCH-HEAT TILE, BOTTOM RIGHT	EB/EW 300
<b>MISCELLANEOUS</b>			
34	FAN2724	ASSEMBLY, FAN	EB/EW 150
34	FAN2410	ASSEMBLY, FAN	EB/EW 200 - 300
35	GKT2009	GASKET, FAN	EB/EW 150
35	GKT2416	GASKET, FAN	EB/EW 200 - 300
36	PRS30009	SWITCH, AIR PRESSURE	EB/EW 150 - 200
36	PRS30010	SWITCH, AIR PRESSURE	EB/EW 250 - 300
37	JKA6510	COVER, DUST AIR INTAKE	ALL
38	GKT2427	GASKET, ESCUTCHEON PLUG	ALL
39	GKT3408	GASKET, MANNING GLASS (INNER COMBUSTION CHAMBER WALL) 45"	ALL
40	GKT30001	GASKET, SILICONE (INSIDE OUTER JACKET LOWER DOOR) 15' ROLL	ALL
41	GKT2401	GASKET, SIGHT GLASS	ALL
42	MSC3415	KIT, SIGHT GLASS	ALL
43	JKA6506	MIRROR, INSPECTION	ALL
--	DRH2722	BELL INCREASER (NOT PICTURED)	EB/EW 150 & 200
--	DRH2729	BELL INCREASER (NOT PICTURED)	EB/EW 250 & 300
--	MSC3001	KIT, TUBING EPDM	EB/EW 150 - 200
--	MSC3002	KIT, TUBING EPDM	EB/EW 250 - 300
--	MSC2075	TUBE, INLET AIR	EB/EW 150 - 200
--	MSC2076	TUBE, INLET AIR	EB/EW 250 - 300
--	MSC2077	CLAMP, INLET AIR	EB/EW 150 - 300
--	WTR2041	FLOW SWITCH	ALL
--	WTR2530	LOW WATER CUT-OFF, MANUAL RESET (OPTIONAL) PRIOR TO H08H00211826	ALL
--	WTR30000	LOW WATER CUT-OFF, MANUAL RESET (OPTIONAL) BEGINNING H08H00211286	ALL
--	WTR2528	LOW WATER CUT-OFF, AUTO RESET (OPTIONAL) PRIOR TO H08H00211286	ALL
--	WTR30001	LOW WATER CUT-OFF, AUTO RESET (OPTIONAL) BEGINNING H08H00211286	ALL
--	WTR2222	LOW WATER CUT-OFF PROBE (OPTIONAL)	ALL
--	WTR20000	LOW WATER CUT-OFF BOOT (OPTIONAL)	ALL

**NOTE: EB = BOILER / EW = WATER HEATER  
PLEASE HAVE MODEL NUMBER AND SERIAL NUMBER WHEN ORDERING PARTS  
(BURNERS INCLUDE BURNER GASKET)**