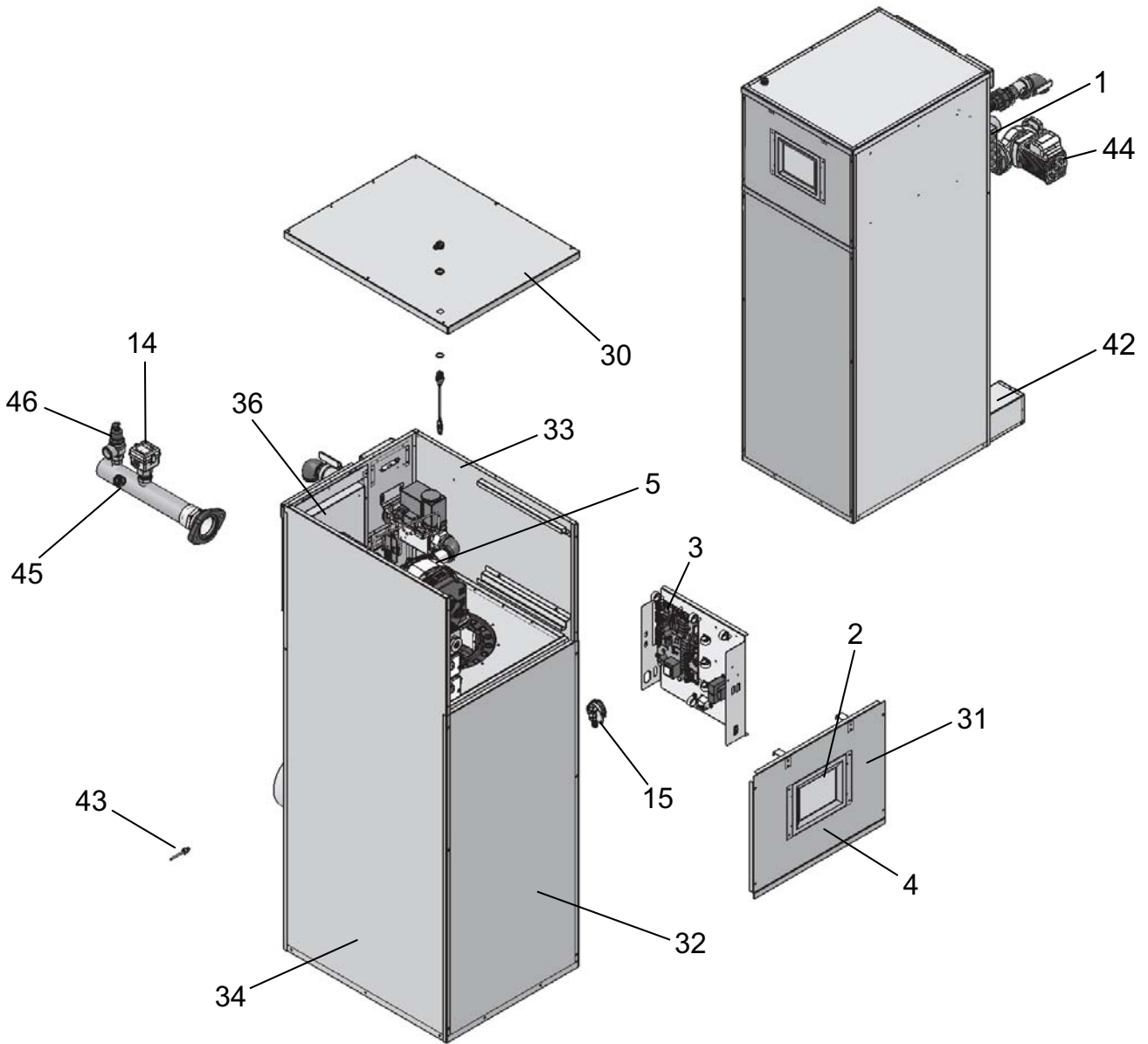




PARTS & SERVICE DEPARTMENT
 Nashville, Tennessee
 615-889-8900 • Fax: 615-882-2918
 parts_team@lochinvar.com
 www.Lochinvar.com

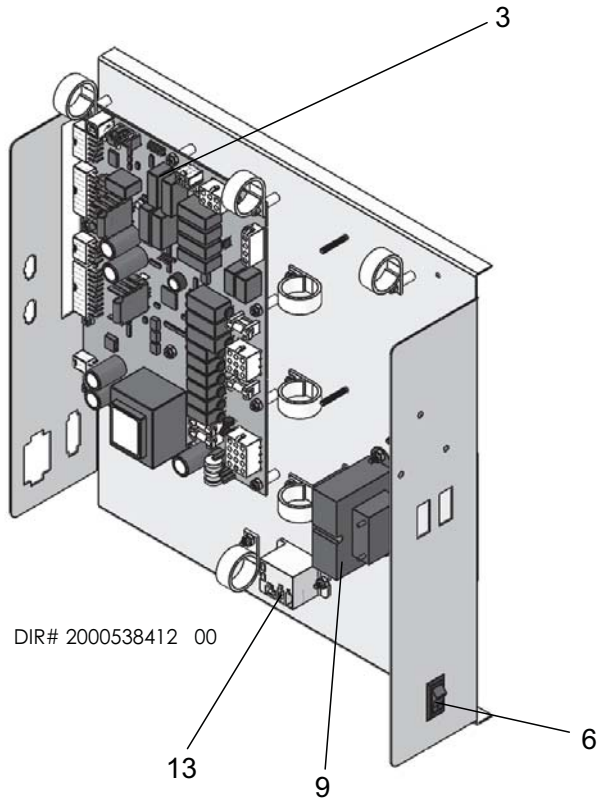
Replacement Parts List

Power-Fin®
 Heating Boilers
PB/PF 502 thru 1302
Beginning Serial Number: 1707104971206

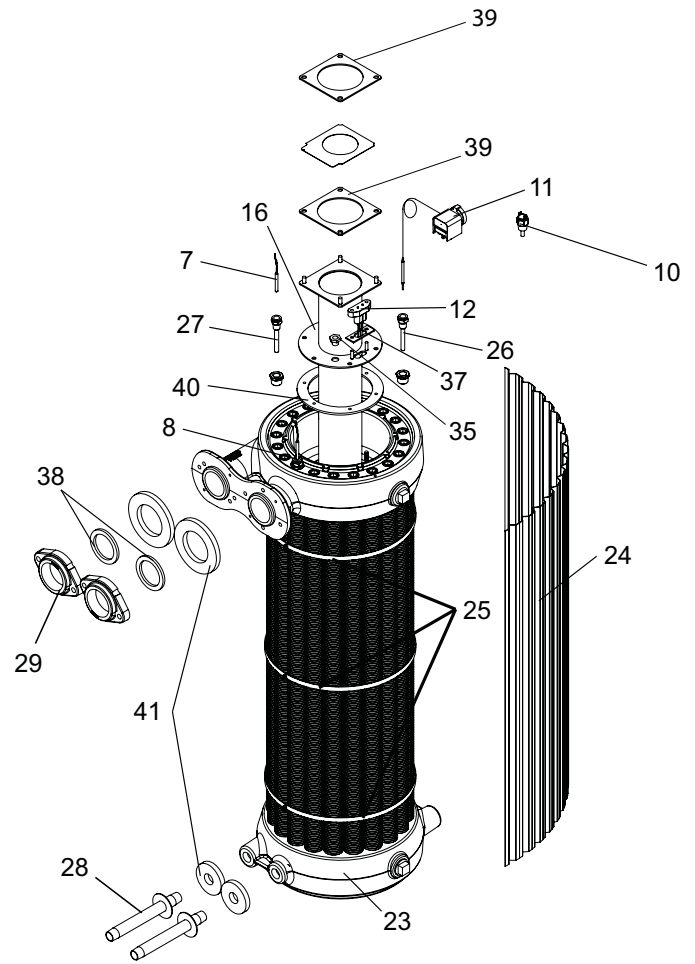


DIR# 2000538407 00

CONTROL PANEL ASSEMBLY

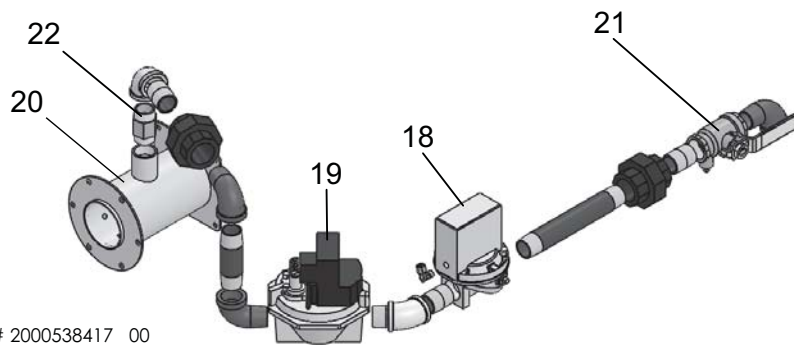


HEAT EXCHANGER ASSEMBLY

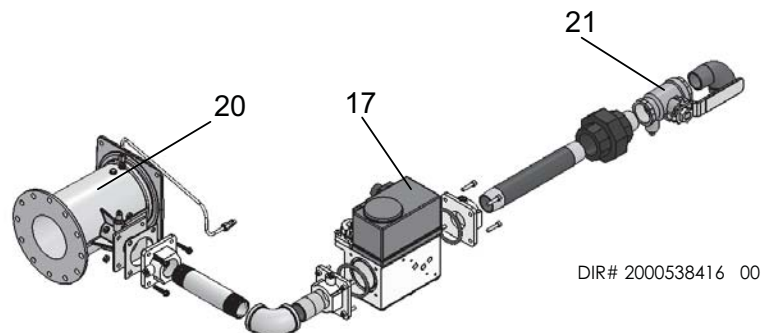


GAS TRAIN ASSEMBLIES

F9



M9



ITEM NO.	PART NO.	DESCRIPTION	MODEL NO.
CONTROLS			
1	100272686	CONNECTION BOARD	ALL
1	100167609	CONNECTION BOARD	ALL
2	100190853	BOARD, DISPLAY, INTERFACE	ALL
3	100272757*	BOARD, CONTROL, MAIN	ALL
4	100094861*	BOARD, CONTROL, COMMUNICATION	ALL
5	100145023	FAN, COMBUSTION AIR	ALL
6	100208242	ON/OFF SWITCH	ALL
7	100170581*	SENSOR, INLET	ALL
8	100274733*	SENSOR, OUTLET	ALL
9	100208230	TRANSFORMER	ALL
10	100208173	THERMOSTAT, HI LIMIT 200 DEGREE	PF
11	100208179	THERMOSTAT, HI LIMIT W/ AUTO RESET	ALL
12	100165937*	IGNITOR, HOT SURFACE	ALL
13	100112813	RELAY, 120 VAC	ALL
14	100208653*	FLOW SWITCH	ALL
15	100166176	SWITCH, LOW AIR	502 - LP - F9
15	100208398	SWITCH, LOW AIR	502 - NAT - F9
15	100166178	SWITCH, LOW AIR	752 - LP - F9
15	100208399	SWITCH, LOW AIR	752 - NAT - F9
15	100166180	SWITCH, LOW AIR	1002 - LP - F9
15	100208400	SWITCH, LOW AIR	1002 - NAT - F9
15	100166182	SWITCH, LOW AIR	1302-F9
15	100208376	SWITCH, LOW AIR	502 - LP - M9
15	100208379	SWITCH, LOW AIR	502 NAT & 752-1302-M9 NAT/LP
GAS TRAIN ASSEMBLIES			
16	100135326	BURNER	502
16	100135327	BURNER	752
16	100135328	BURNER	1002
16	100135329	BURNER	1302
17	100172027	VALVE, GAS NAT	502-M9 NAT
17	100172028	VALVE, GAS NAT	752-M9 NAT
17	100172029	VALVE, GAS NAT	1002-M9 NAT
17	100172030	VALVE, GAS NAT	1302-M9 NAT
17	100171935	VALVE, GAS LP	502-M9 LP
17	100171936	VALVE, GAS LP	752-M9 LP
17	100171937	VALVE, GAS LP	1002-M9 LP
17	100171938	VALVE, GAS LP	1302-M9 LP
18	100171767	VALVE, GAS DIAPHRAGM 1"	502-F9 NAT & LP
18	100171768	VALVE, GAS DIAPHRAGM 1 1/4"	752-1002-1302 - NAT & LP - F9
19	100171769	VALVE, MAIN GAS 1"	502 - NAT - F9
19	100209812	VALVE, MAIN GAS 1"	502 - LP - F9
19	100171770	VALVE, MAIN GAS 1 1/4"	752-1002-1302 - NAT - F9
19	100171881	VALVE, MAIN GAS 1 1/4"	752-1002-1302 - LP - F9
20	100171877	VALVE, VENTURI	502-M9
20	100171878	VALVE, VENTURI	752-1002-M9
20	100171879	VALVE, VENTURI	1302-M9
20	100159747	VALVE, VENTURI	ALL F9
21	100171788	VALVE, BALL	ALL 502
21	100171789	VALVE, BALL	752-1002-F9 & 752-1002-1302-M9
22	100164130	ORIFICE, BURNER	502 - NAT - F9
22	100164131	ORIFICE, BURNER	752 - NAT - F9
22	100164132	ORIFICE, BURNER	1002 - NAT - F9
22	100164133	ORIFICE, BURNER	1302 - NAT - F9
22	100164134	ORIFICE, BURNER	502 - LP - F9
22	100164135	ORIFICE, BURNER	752 - LP - F9
22	100164136	ORIFICE, BURNER	1002 - LP - F9
22	100164137	ORIFICE, BURNER	1302 - LP - F9
HEAT EXCHANGER ASSEMBLIES			
23	100147510	HEAT EXCHANGER(HLW)	PF 502
23	100147518	HEAT EXCHANGER (H)	PB 502
23	100147511	HEAT EXCHANGER(HLW)	PF 752

PLEASE HAVE MODEL NUMBER AND SERIAL NUMBER WHEN ORDERING PARTS
*ITEMS DENOTE SUGGESTED INVENTORY PARTS

ITEM NO.	PART NO.	DESCRIPTION	MODEL NO.
HEAT EXCHANGER ASSEMBLIES (CONTINUED)			
23	100147519	HEAT EXCHANGER (H)	PB 752
23	100147512	HEAT EXCHANGER(HLW)	PF 1002
23	100147520	HEAT EXCHANGER (H)	PB 1002
23	100147513	HEAT EXCHANGER(HLW)	PF 1302
23	100147521	HEAT EXCHANGER (H)	PB 1302
24	100153830	V BAFFLE (20 REQ.)	502
24	100153831	V BAFFLE (20 REQ.)	752
24	100208235	V BAFFLE (20 REQ.)	1002
24	100153833	V BAFFLE (20 REQ.)	1302
25	100154587	V BAFFLE STRAP (3 REQ.)	ALL
26	100233613	HIGH LIMIT BULB WELL	ALL
27	100233695	THERMOSTAT BULB WELL 3/8"	ALL
28	100141607	DRAIN PIPE ASSEMBLY	PB
28	100141603	DRAIN PIPE ASSEMBLY	PF
29	100173833	HEAT EXCHANGER FLANGE	ALL
JACKET/DOOR ASSEMBLIES			
30	100272259	JACKET TOP	ALL
31	100272283	JACKET, OUTER FRONT UPPER	ALL
32	100272290	JACKET, OUTER FRONT LOWER	502
32	100274702	JACKET, OUTER FRONT LOWER	752
32	100274875	JACKET, OUTER FRONT LOWER	1002
32	100274953	JACKET, OUTER FRONT LOWER	1302
33	100272281	JACKET, OUTER RIGHT	502
33	100274690	JACKET, OUTER RIGHT	752
33	100274853	JACKET, OUTER RIGHT	1002
33	100274935	JACKET, OUTER RIGHT	1302
34	100272260	JACKET, OUTER LEFT	502
34	100274689	JACKET, OUTER LEFT	752
34	100274873	JACKET, OUTER LEFT	1002
34	100274936	JACKET, OUTER LEFT	1302
MISCELLANEOUS			
35	100208332	BURNER SIGHT GLASS	ALL
36	100208064*	AIR FILTER	ALL
37	100208087	IGNITOR GASKET	ALL
38	100233690	FLANGE GASKET	ALL
39	100208089*	BURNER/BLOWER GASKET	ALL
40	100208096*	BURNER/ HEX GASKET	ALL
41	100208109	HEX/DIVIDER PANEL GASKET	ALL
42	100208337*	CONDENSATE TRAP	ALL
43	100170647*	FLUE SENSOR	ALL
44	100166433	PUMP	ALL PF
44	100166406	PUMP (OPTIONAL)	ALL PB
45	100208152	GAUGE, TEMP AND PRESSURE	PB
46	100208442	RELIEF VALVE, PRESSURE ONLY	PB 502-1002
46	100208448	RELIEF VALVE, PRESSURE ONLY	PB 1302
46	100208444	RELIEF VALVE, TEMPERATURE & PRESSURE	PF
-	100208666	LOW WATER CUT-OFF, MANUAL RESET (OPTIONAL) PRIOR TO H08H00211095	ALL
-	100173747	LOW WATER CUT-OFF, MANUAL RESET (OPTIONAL) BEGINNING H08H00211095	ALL
-	100208665	LOW WATER CUT-OFF, AUTO RESET (OPTIONAL) PRIOR TO H08H00211095	ALL
-	100173748	LOW WATER CUT-OFF, AUTO RESET (OPTIONAL) BEGINNING H08H00211095	ALL
-	100208662	LOW WATER CUT-OFF PROBE (OPTIONAL)	ALL
-	100173640	LOW WATER CUT-OFF BOOT (OPTIONAL)	ALL
-	100208231*	FUSE, 3.15A 5X22MM	ALL
-	100208232*	FUSE, 5A 5X22MM	ALL
-	100208809*	FUSE, 1.6A 5X20MM	ALL
-	100146472	JACKET GASKET	ALL
-	100146588	GASKET, PVC 1/4 X 5/8 X 25'	ALL
-	100157742	KIT, OUTDOOR AIR RESET	ALL
-	100157739	KIT, ALARM ON ANY FAILURE WITH BELL	ALL
-	100157740	KIT, MANUAL RESET LOW WATER CUTOFF PRIOR TO H08H00211095	ALL
-	100157607	KIT, MANUAL RESET LOW WATER CUTOFF BEGINNING H08H00211095	ALL
PLEASE HAVE MODEL NUMBER AND SERIAL NUMBER WHEN ORDERING PARTS			
*ITEMS DENOTE SUGGESTED INVENTORY PARTS			