



Ludington™

Under-mount Kitchen Sink

20023-PC

Features

- Medium single bowl.
- Fabricated sink.
- 9" basin depth.
- Satin finish.
- 27-inch minimum base cabinet width.
- 24" (610 mm) x 18.25" (465 mm) x 9" (229 mm)

Material

- 18-gauge stainless steel.

Technology

- With SilentShield® sound-absorption technology.

Components

Product includes:

- 7400 Duostrainer™ Sink Strainer
- 20284 Sink Basin Mat

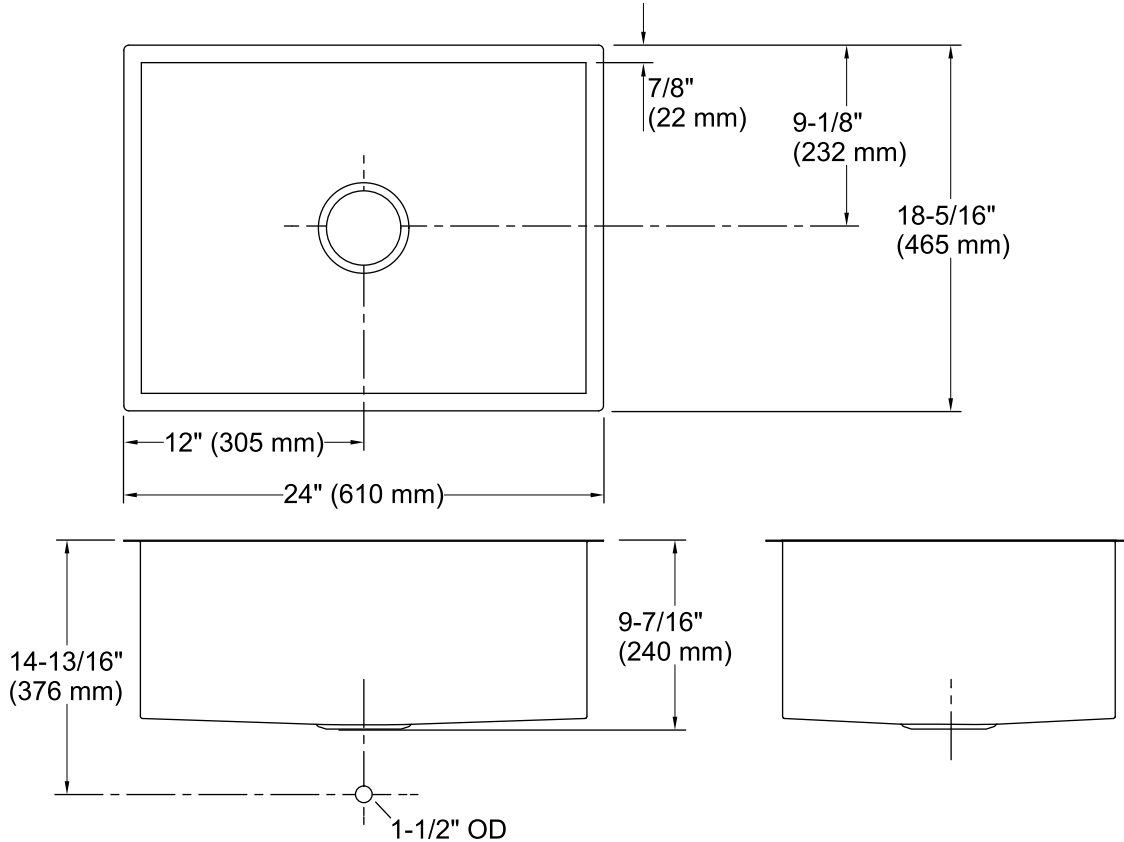


Codes/Standards

ASME A112.19.3/CSA B45.4

STERLING® Warranty - Stainless Steel Sinks

See website for detailed warranty information.



Technical Information

All product dimensions are nominal.

Installation:	Under-mount
Bowl area (Only)	Length: 22-1/4" (565 mm) Width: 16-9/16" (420 mm) Bowl depth: 9-3/16" (233 mm) Water depth: 9-3/16" (233 mm)
Drain hole:	3-3/4" (94 mm)
Template:	1298948-7, required, included

Notes

Install this product according to the installation instructions.

Countertop manufacturer or cutter must use the cut-out template provided with the product, or a current one provided by Kohler Co. (call 1-800-43-FOCUS). Kohler Co. is not responsible for cut-out errors when the incorrect cut-out template is used.