

Features

- Katalyst® air-induction technology maximizes the air/water mix for a powerful, even flow.
- MasterClean™ sprayface resists hard water build-up and is easy to clean.
- Single-function showerhead with 48 translucent nozzles.
- 5-1/2" (140 mm) diameter sprayface.
- 1.75 gpm (6.6 lpm) flow rate.
- Complements the Purist® collection.

Material

- KOHLER finishes resist corrosion and tarnishing.

Installation

- Wall-mount.
- Shower arm and flange not included.

Recommended Accessories

K-7397 Shower Arm and Flange



Codes/Standards

ASME A112.18.1/CSA B125.1
DOE - Energy Policy Act 1992
EPA WaterSense®
California Energy Commission (CEC)

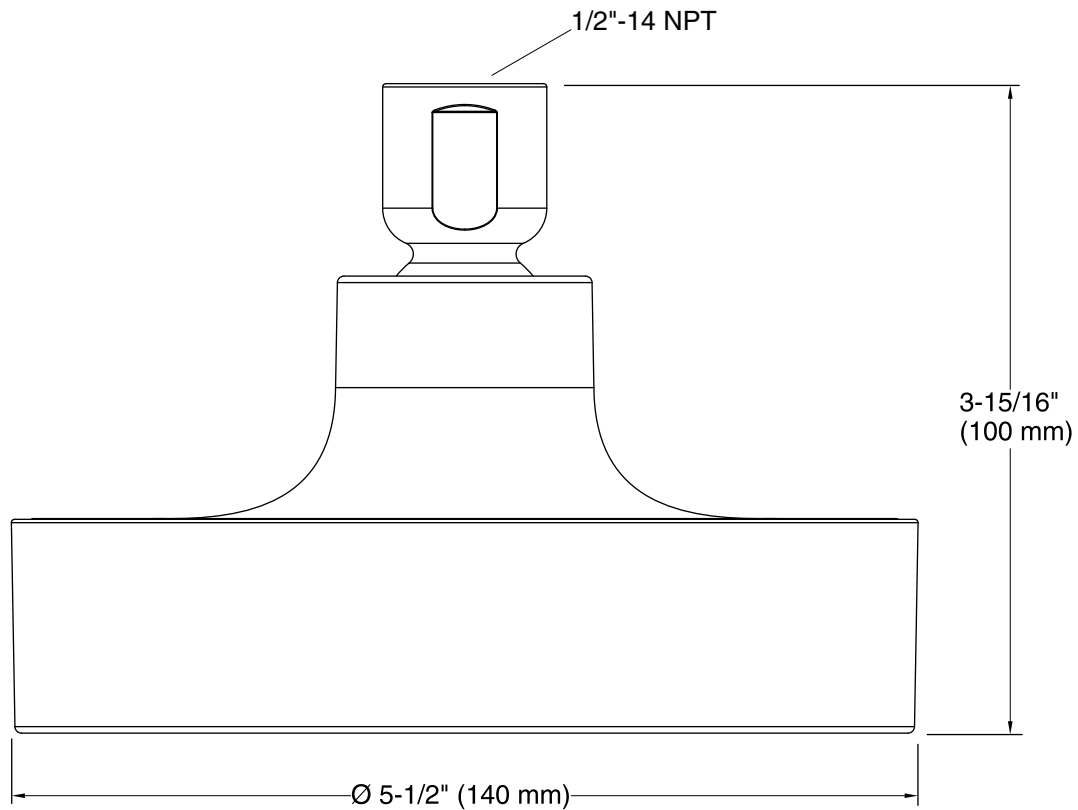
See website for detailed warranty information.

Available Color/Finishes

Color tiles intended for reference only.

Color	Code	Description
-------	------	-------------

	CP	Polished Chrome
--	----	-----------------



Technical Information

All product dimensions are nominal.

Showerhead:

Rated maximum flow: 1.75 gal/min (6.6 l/min)

Pressure: 80 psi (5.5 bar)

Notes

For use with automatic compensating valves rated at 1.5 gal/min (5.7 l/min) or less.

Install this product according to the installation instructions.