



Highline® Comfort Height®

Two-piece round-front 1.28 gpf chair height toilet
K-5481-U

Features

- Two-piece design.
- Round-front bowl offers an ideal solution for smaller bathrooms and powder rooms.
- Comfort Height® feature offers chair-height seating that makes sitting down and standing up easier for most adults.
- 1.28 gpf (4.8 lpf).
- Left-hand Polished Chrome trip lever.
- Insuliner® tank liner minimizes condensation on the tank.
- Combination consists of the K-4467-U tank and the K-5393 bowl.

Technology

- Single-flush gravity uses the force of gravity and a precision-engineered tank, bowl, and trapway to create a strong siphon during flushing.
- Class Five™ flushing technology offers virtually plug-free performance and rinsing power for a clean bowl.

Installation

- Standard 12" (305 mm) rough-in.
- Three-bolt quick-connect installation.
- Seat and supply line sold separately.

Water Conservation & Rebates

- Eligible for consumer rebates in some municipalities.

Recommended Products/Accessories

- K-4639 Cachet® Quiet-Close™ Round-front toilet seat
- K-5589 Purefresh® Round-Front Toilet Seat
- K-76923 Puretide® Quiet-Close™ Round-front manual bidet toilet seat
- K-5420 Low-Profile Bolt Caps
- K-9379 Trip Lever
- K-23726 Drain treatment

Included Components

Product consists of:

- 5393
- 4467-U

Additional Components:

- Tank cover, Trip Lever, and Bolt cap accessory pack



ADA **CSA B651** **OBC**

Codes/Standards




- ASME A112.19.2/CSA B45.1
- DOE - Energy Policy Act 1992
- EPA WaterSense®
- California Energy Commission (CEC)
- ADA
- ICC/ANSI A117.1
- CSA B651
- OBC

KOHLER® Toilets and Seats Limited Warranty

See website for detailed warranty information.

Available Colors/Finishes

Color tiles intended for reference only.

Color	Code	Description
	0	White
	96	Biscuit
	7	Black Black™

1-800-4KOHLER (1-800-456-4537)

Kohler Co. reserves the right to make revisions without notice to product specifications.

For the most current Specification Sheet, go to www.kohler.com.

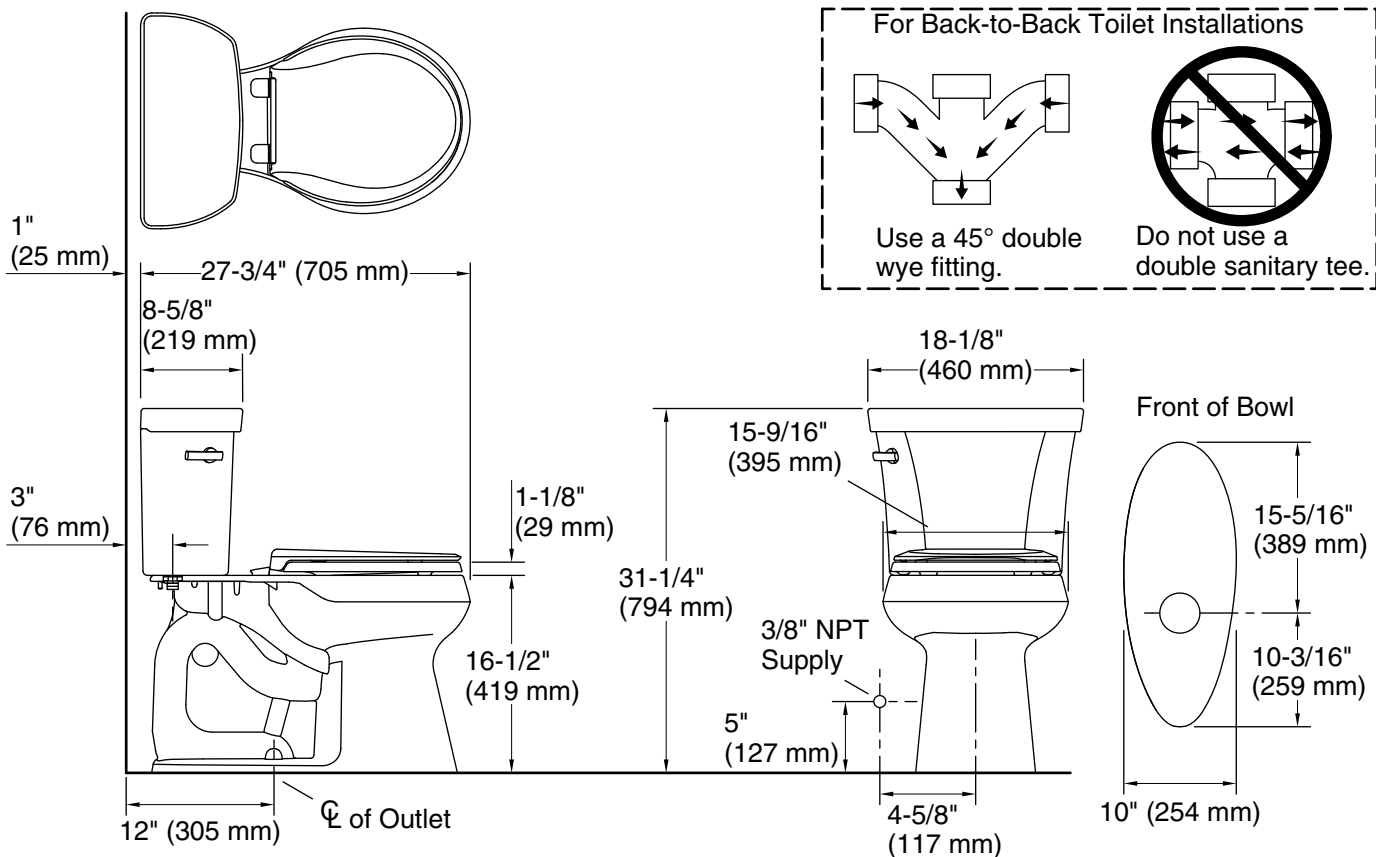
7-19-2022 21:28 - US/CA

THE BOLD LOOK
OF **KOHLER**®



Highline® Comfort Height®

Two-piece round-front 1.28 gpf chair height toilet
K-5481-U



Technical Information

All product dimensions are nominal.

Toilet type:	Floor-mount
Waste Outlet:	Floor
Bowl shape:	Round-front
Flush type:	Class Five®
Trap passageway:	2-1/8" (54 mm)
Water Consumption	
Full:	1.28 gpf (4.8 lpf)
Water surface size:	10-1/2" x 8-1/4" (267 mm x 210 mm)
Rim to water surface:	5-3/8" (137 mm)
Rough-in:	12" (305 mm)
Seat-mounting holes:	5-1/2" (140 mm)

Notes

Install this product according to the installation instructions.

For back-to-back toilet installations: Use only a 45° double wye fitting.

ADA, OBC, CSA B651 compliant when installed to the specific requirements of these regulations.

Plumbing codes may require elongated toilets and elongated, open-front seats in public bathrooms.

Accessibility standards may require controls to be located on the open side of the toilet.