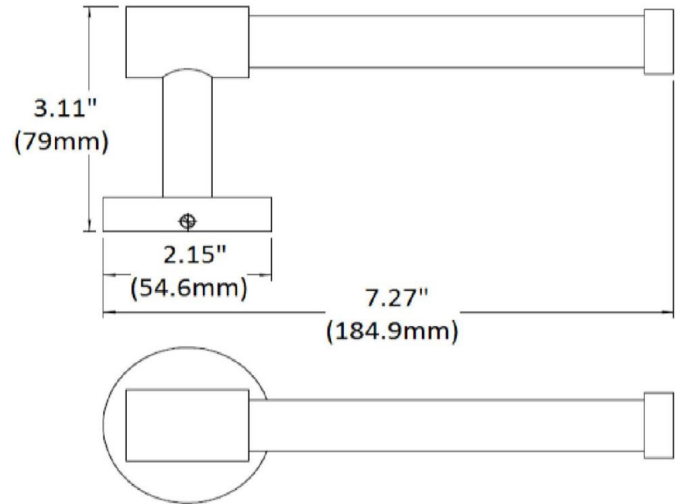




**Toilet Paper Holder**  
Polished Chrome



**SPECIFICATIONS**

MATERIAL CONSTRUCTION:	Zinc
PVD FINISH:	No
ASSEMBLY REQUIRED:	Yes
TOOLS NEEDED FOR INSTALLATION:	Screwdriver
ASSEMBLED DIMENSIONS:	2.36" H x 7.48" L x 3.54" D
ASSEMBLED WEIGHT:	0.88 lbs.
MIN. LENGTH:	N/A
MAX LENGTH:	N/A
SCREWS INCLUDED:	Yes
DRYWALL ANCHORS INCLUDED:	Yes
CENTER TO CENTER:	N/A

<b>WARRANTY:</b>	This PROFLO accessory carries a limited lifetime warranty when installed in residential applications. The warranty is five years in commercial applications.
<b>LEGAL FOR SALE IN CALIFORNIA:</b>	Yes
<b>ADA COMPLIANT:</b>	N/A

TYPE:  
JOB:  
ORDER CODE:  
APPROVALS: