

# PFWSCM1M113

## Single Handle Lavatory Faucet



**Model Numbers**

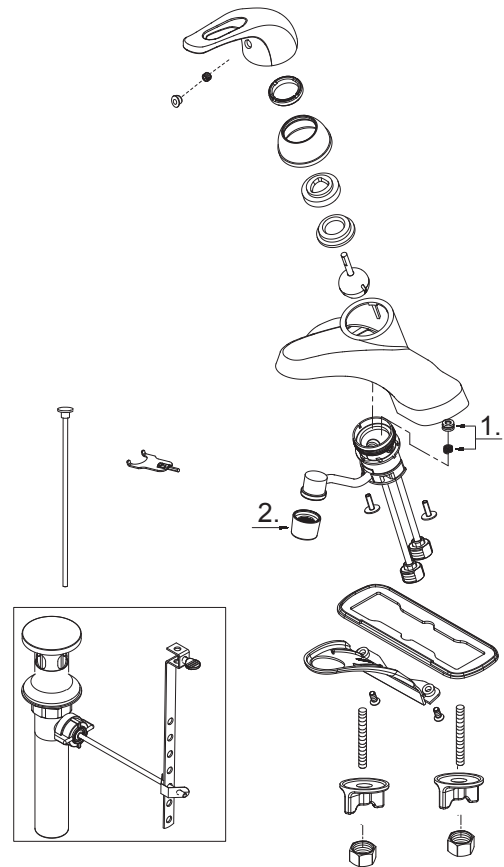
PFWSCM1M113 Chrome  
 PFWSCM1M113BN Brushed nickel

No.	Item	Part Number	Material Type
1	Seat & Spring Set	OBPF2A663002	Metal, Rubber
2	Aerator	OBPF5A500267N*	Plastic, Rubber

\*specify finish



PFWSCM1M113



**Warranty and Codes**

This product comes complete with installation, operating, care and maintenance instructions. This PROFLO faucet carries a limited lifetime warranty when installed in residential applications. The warranty is five years in commercial applications. Compliant with lead content requirements of California AB 1953 and Vermont S.152.

