

# SPECIFICATIONS

## FIGURE 7897 COUPLING

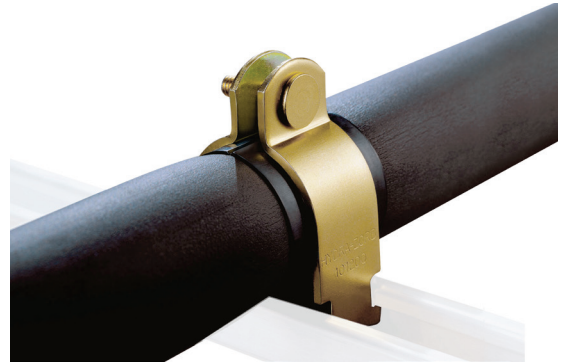


### INSULATION COUPLING

For use with elastomeric insulation

#### FEATURES

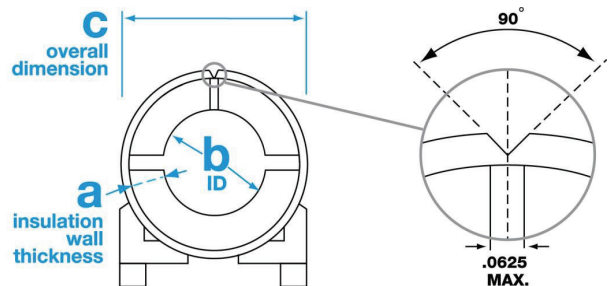
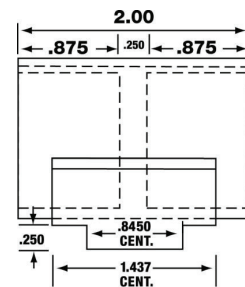
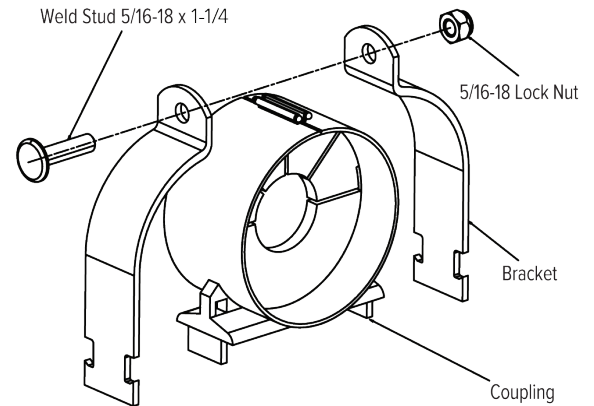
- UL Classified 2043 (25/50) for use in plenums and air handling systems
- Superior vapor barrier at suspension points
- All metal components have a trivalent (non-hex) plating
- Available in 304 (7897SS) and 316 (7897S6) stainless steel
- For use with strut mounted clamps
- Available for 1/4" to 4-1/8" O.D. tube
- Insulation wall thickness sizes include: 3/8", 1/2", 3/4", 1" and 1-1/2"
- Molded with high-strength thermoplastic olefin (TPO)
- Temperature rating: -60° F to 225° F



#### PRODUCT SPECIFICATIONS

- Weld stud 5/16-18" x 1-1/4"
- 1" Wall thickness (Sizes 3/8" to 2-1/8")
- 1-1/2" Wall thickness (Sizes 7/8" to 2-1/8")

Strut Mounted Coupling for 3/8" Wall Insulation			
Catalog Number	Insulation Wall Thickness (a)	Tube OD (b)	Overall Dimension (c)
FNW7897C0025	3/8"	1/4" OD	1.12
FNW7897C0037	3/8"	3/8" OD	1.25
FNW7897C0050	3/8"	1/2" OD	1.37
FNW7897C0062	3/8"	5/8" OD	1.50
FNW7897C0075	3/8"	3/4" OD	1.62
FNW7897C0087	3/8"	7/8" OD	1.75
FNW7897C0100	3/8"	1" OD	1.87
FNW7897C0112	3/8"	1-1/8" OD	2.00
FNW7897C0137	3/8"	1-3/8" OD	2.25
FNW7897C0162	3/8"	1-5/8" OD	2.50
FNW7897C0212	3/8"	2-1/8" OD	3.00



**FIGURE 7897**  
COUPLING



INSULATION COUPLING

Strut Mounted Coupling for 1/2" Wall Insulation

Catalog Number	Insulation Wall Thickness (a)	Tube OD (b)	Overall Dimension (c)	Bolt	Bolt Torque (ft-lb)	Load 1 (lbs)	Load 2 (lbs)	Load 3 (lbs)
FNW7897D0025	1/2"	1/4" OD	1.37	-	-	-	-	-
FNW7897D0037	1/2"	3/8" OD	1.50	-	-	-	-	-
FNW7897D0050	1/2"	1/2" OD	1.62	-	-	-	-	-
FNW7897D0062	1/2"	5/8" OD	1.75	-	-	-	-	-
FNW7897D0075	1/2"	3/4" OD	1.87	-	-	-	-	-
FNW7897D0087	1/2"	7/8" OD	2.00	5/16"	11	230	75	50
FNW7897D0100	1/2"	1" OD	2.12	5/16"	11	360	80	55
FNW7897D0112	1/2"	1-1/8" OD	2.25	5/16"	11	490	90	60
FNW7897D0137	1/2"	1-3/8" OD	2.50	5/16"	11	625	95	65
FNW7897D0162	1/2"	1-5/8" OD	2.75	3/8"	20	675	120	85
FNW7897D0212	1/2"	2-1/8" OD	3.25	3/8"	20	730	140	100
FNW7897D0262	1/2"	2-5/8" OD	3.75	3/8"	20	785	170	120
FNW7897D0312	1/2"	3-1/8" OD	4.25	3/8"	20	840	190	130
FNW7897D0362	1/2"	3-5/8" OD	4.75	-	-	-	-	-
FNW7897D0412	1/2"	4-1/8" OD	5.25	3/8"	20	895	215	145

Strut Mounted Coupling for 3/4" Wall Insulation

Catalog Number	Insulation Wall Thickness (a)	Tube OD (b)	Overall Dimension (c)	Bolt	Bolt Torque (ft-lb)	Load 1 (lbs)	Load 2 (lbs)	Load 3 (lbs)
FNW7897F0025	3/4"	1/4" OD	1.87	-	-	-	-	-
FNW7897F0037	3/4"	3/8" OD	2.00	-	-	-	-	-
FNW7897F0050	3/4"	1/2" OD	2.12	-	-	-	-	-
FNW7897F0062	3/4"	5/8" OD	2.25	-	-	-	-	-
FNW7897F0075	3/4"	3/4" OD	2.37	-	-	-	-	-
FNW7897F0087	3/4"	7/8" OD	2.50	5/16"	11	245	90	50
FNW7897F0112	3/4"	1-1/8" OD	2.75	5/16"	11	430	105	55
FNW7897F0137	3/4"	1-3/8" OD	3.00	5/16"	11	525	115	60
FNW7897F0162	3/4"	1-5/8" OD	3.25	3/8"	20	600	140	75
FNW7897F0212	3/4"	2-1/8" OD	3.75	3/8"	20	675	160	85
FNW7897F0262	3/4"	2-5/8" OD	4.25	3/8"	20	750	185	100
FNW7897F0312	3/4"	3-1/8" OD	4.75	3/8"	20	825	210	115
FNW7897F0362	3/4"	3-5/8" OD	5.25	-	-	-	-	-
FNW7897F0412	3/4"	4-1/8" OD	5.75	3/8"	20	900	235	130

# FIGURE 7897

## COUPLING



### INSULATION COUPLING

Strut Mounted Coupling for 1" Wall Insulation

Catalog Number	Insulation Wall Thickness (a)	Tube OD (b)	Overall Dimension (c)	Bolt	Bolt Torque (ft-lb)	Load 1 (lbs)	Load 2 (lbs)	Load 3 (lbs)
FNW7897G0025	1"	1/4" OD	2.37	-	-	-	-	-
FNW7897G0031	1"	5/16" OD	2.43	-	-	-	-	-
FNW7897G0037	1"	3/8" OD	2.50	-	-	-	-	-
FNW7897G0050	1"	1/2" OD	2.62	-	-	-	-	-
FNW7897G0062	1"	5/8" OD	2.75	-	-	-	-	-
FNW7897G0075	1"	3/4" OD	2.87	-	-	-	-	-
FNW7897G0087	1"	7/8" OD	3.00	5/16"	11	265	105	45
FNW7897G0112	1"	1-1/8" OD	3.25	5/16"	11	370	125	55
FNW7897G0137	1"	1-3/8" OD	3.50	5/16"	11	425	135	60
FNW7897G0162	1"	1-5/8" OD	3.75	3/8"	20	555	160	70
FNW7897G0212	1"	2-1/8" OD	4.25	3/8"	20	690	180	75
FNW7897G0262	1"	2-5/8" OD	4.75	3/8"	20	820	205	85
FNW7897G0312	1"	3-1/8" OD	5.25	3/8"	20	950	230	100
FNW7897G0362	1"	3-5/8" OD	5.75	-	-	-	-	-
FNW7897G0412	1"	4-1/8" OD	6.25	3/8"	20	1085	255	110

Strut Mounted Coupling for 1-1/2" Wall Insulation

Catalog Number	Insulation Wall Thickness (a)	Tube OD (b)	Overall Dimension (c)	Bolt	Bolt Torque (ft-lb)	Load 1 (lbs)	Load 2 (lbs)	Load 3 (lbs)
FNW7897J0031	1-1/2"	5/16" OD	3.43	-	-	-	-	-
FNW7897J0037	1-1/2"	3/8" OD	3.50	-	-	-	-	-
FNW7897J0050	1-1/2"	1/2" OD	3.62	-	-	-	-	-
FNW7897J0062	1-1/2"	5/8" OD	3.75	-	-	-	-	-
FNW7897J0087	1-1/2"	7/8" OD	4.00	5/16"	11	85	90	60
FNW7897J0112	1-1/2"	1-1/8" OD	4.25	5/16"	11	180	150	100
FNW7897J0137	1-1/2"	1-3/8" OD	4.50	5/16"	11	275	210	135
FNW7897J0162	1-1/2"	1-5/8" OD	4.75	3/8"	20	370	270	175
FNW7897J0212	1-1/2"	2-1/8" OD	5.25	3/8"	20	420	230	150
FNW7897J0262	1-1/2"	2-5/8" OD	5.75	3/8"	20	470	190	125
FNW7897J0312	1-1/2"	3-1/8" OD	6.25	3/8"	20	525	155	100
FNW7897J0412	1-1/2"	4-1/8" OD	7.25	-	-	-	-	-