

# SPECIFICATIONS

## FIGURE 7899 COUPLING

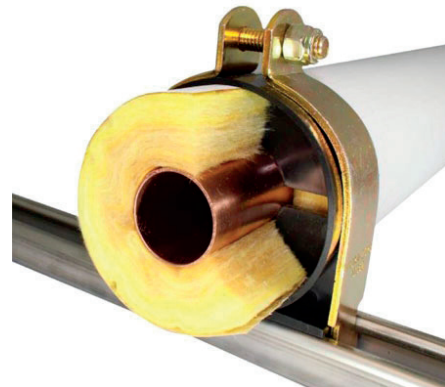


### INSULATION COUPLING

For use with fiberglass insulation

#### FEATURES

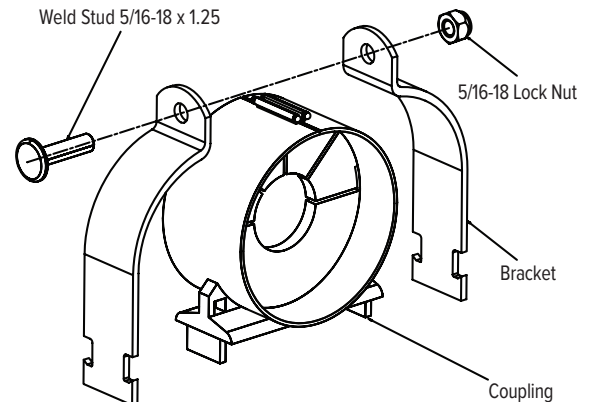
- UL Classified 2043 (25/50) for use in plenums and air handling systems
- Three times faster installation of fiberglass insulation than traditional methods
- All metal components have a Trivalent (non-hex) plating
- Available in 304 and 316 stainless steel
- Available for 5/8" to 5-1/8" O.D. tube and 1/2" to 3" nominal pipe
- Insulation wall thickness sizes include:  
1/2", 1", 1-1/2" and 2"
- Molded with high-strength Thermoplastic Olefin (TPO)
- Temperature rating: -60° F to +225° F



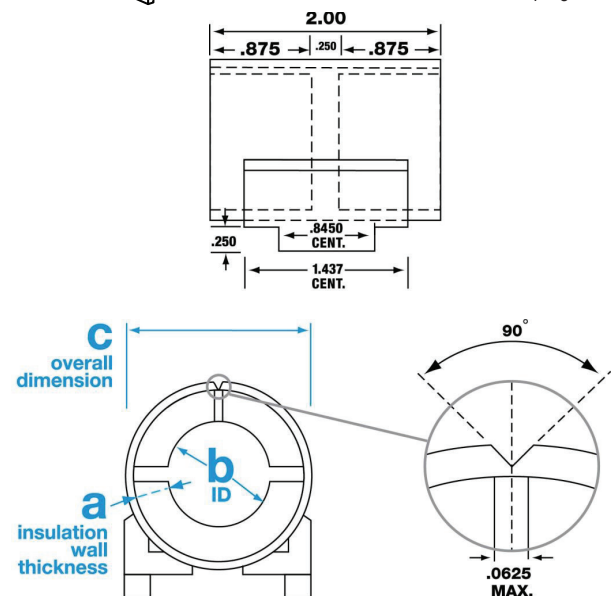
MADE IN THE  
**USA**

#### PRODUCT SPECIFICATIONS

- Weld stud 5/16-18" x 1.25"
- 1" Wall thickness (Sizes 7/8" to 1-1/8")
- 1-1/2" Wall thickness (Size 7/8")



a – Strut Mounted Coupling for 1/2" Wall Insulation		
Catalog Number	b – Clamp ID	c
	Tube OD	in.
FNW7899D0050	1/2" NOM	2.025
FNW7899D0062	5/8" OD	1.785
FNW7899D0075	3/4" NOM	2.285
FNW7899D0087	7/8" OD	2.025
FNW7899D0100	1" NOM	2.500
FNW7899D0112	1-1/8" OD	2.285
FNW7899D0125	1-1/4" NOM	2.845
FNW7899D0137	1-3/8" OD	2.500
FNW7899D0150	1-1/2" NOM	3.285
FNW7899D0162	1-5/8" OD	2.845
FNW7899D0212	2-1/8" OD	3.285



SPECIFICATIONS

**FIGURE 7899**  
COUPLING



INSULATION COUPLING

a – Strut Mounted Coupling for 1" Wall Insulation		
Catalog Number	b – Clamp ID	C
	Tube OD	in.
FNW7899G0050	1/2" NOM	3.010
FNW7899G0062	5/8" OD	3.010
FNW7899G0075	3/4" NOM	3.010
FNW7899G0087	7/8" OD	3.010
FNW7899G0112	1-1/8" OD	3.010
FNW7899G0125	1-1/4" NOM	3.640
FNW7899G0137	1-3/8" OD	3.640
FNW7899G0150	1-1/2" NOM	3.952
FNW7899G0162	1-5/8" OD	3.640
FNW7899G0200	2" NOM	4.650
FNW7899G0212	2-1/8" OD	4.140
FNW7899G0250	2-1/2" NOM	5.138
FNW7899G0262	2-5/8" OD	4.650
FNW7899G0300	3" NOM	5.75
FNW7899G0312	3-1/8" OD	5.140
FNW7899G0362	3-5/8" OD	5.69
FNW7899G0412	4-1/8" OD	6.87
FNW7899G0512	5-1/8" OD	7.870

a – Strut Mounted Coupling for 1-1/2" Wall Insulation		
Catalog Number	b – Clamp ID	C
	Tube OD	in.
FNW7899J0050	1/2" NOM	4.140
FNW7899J0075	3/4" NOM	4.140
FNW7899J0087	7/8" OD	4.140
FNW7899J0100	1" NOM	4.650
FNW7899J0112	1-1/8" OD	4.140
FNW7899J0125	1-1/4" NOM	5.140
FNW7899J0137	1-3/8" OD	4.650
FNW7899J0150	1-1/2" NOM	5.140
FNW7899J0162	1-5/8" OD	5.140
FNW7899J0212	2-1/8" OD	5.140
FNW7899J0262	2-5/8" OD	5.700
FNW7899J0300	3" NOM	6.870
FNW7899J0312	3-1/8" OD	6.870
FNW7899J0362	3-5/8" OD	6.870
FNW7899J0412	4-1/8" OD	7.870

a – Strut Mounted Coupling for 2" Wall Insulation		
Catalog Number	b – Clamp ID	C
	Tube OD	in.
FNW7899K0062	5/8" OD	4.650
FNW7899K0087	7/8" OD	5.140
FNW7899K0112	1-1/8" OD	5.140
FNW7899K0137	1-3/8" OD	5.700
FNW7899K0162	1-5/8" OD	5.700
FNW7899K0212	2-1/8" OD	6.870
FNW7899K0262	2-5/8" OD	6.87
FNW7899K0312	3-1/8" OD	7.87
FNW7899K0362	3-5/8" OD	7.87