

### Features

- Vitreous china.
- One-piece.
- Regular height elongated skirted bowl.
- Dual Flush flushing system.
- Includes top-mount dual flush actuator.
- 1.28 gpf (4.8 lpf) or .8 gpf (3 lpf).
- 2 1/8" (54 mm) plastic trapway.
- 12" (305 mm) rough-in.
- Includes Reach Quiet-Close™ elongated seat.
- Less supply.
- 9" (230 mm) x 8" (200 mm) water area.
- 28-1/2" (724 mm) x 14-7/16" (367 mm) x 28-7/16" (722 mm).
- Floor mount/Floor outlet.



### Codes/Standards

ASME A112.19.2/CSA B45.1  
ASME A112.19.14  
DOE - Energy Policy Act 1992  
EPA WaterSense®  
California Energy Commission (CEC)


### KOHLER® One-Year Limited Warranty

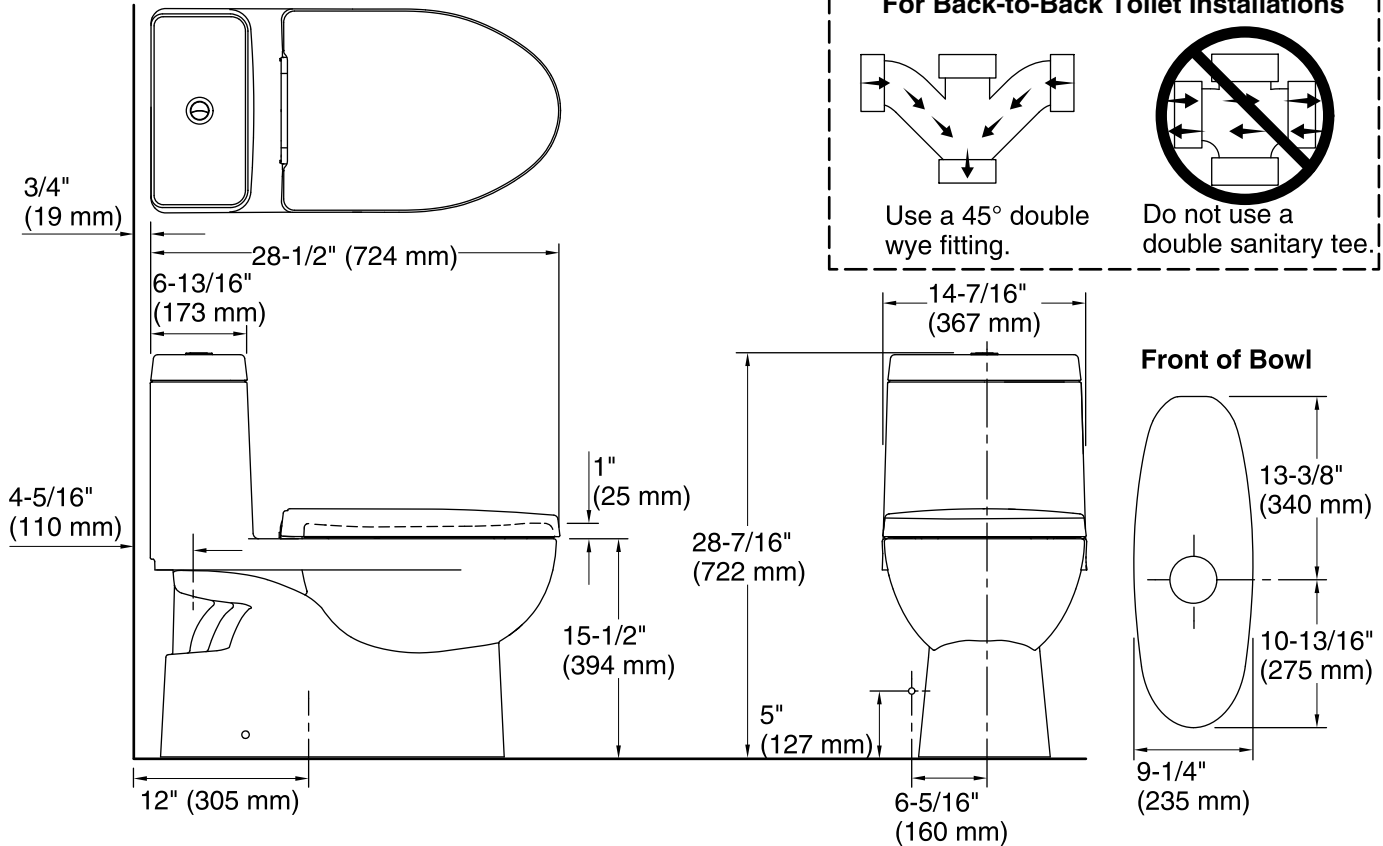
See website for detailed warranty information.

### Available Color/Finishes

*Color tiles intended for reference only.*

Color	Code	Description
-------	------	-------------

	0	White
--	---	-------



## Technical Information

All product dimensions are nominal.

Toilet type:	One-piece, Floor-mount
Bowl shape:	Elongated front
Flush type:	Gravity siphon jet
Trap passageway:	2-1/8" (54 mm)
Water Consumption	
Full:	1.28 gpf (4.8 lpf)
Reduced:	0.8 gpf (3 lpf)
Rim to water surface:	6-1/4" (159 mm)

## Fixture Supply Requirements

Min static pressure:	20 psi (137.9 kPa)
Max static pressure:	80 psi (551.6 kPa)

## Notes

Install this product according to the installation instructions.

For back-to-back toilet installations: Use only a 45° double wye fitting.

**IMPORTANT!** The rough-in must be 12" (305 mm) or more from the base of the wall or baseboard. Install or relocate the supply and outlet as necessary to conform to rough-in dimensions.

If this toilet is installed in new construction, install a new supply stop following the dimensions in the diagram.

In installations with the supply stop installed, the existing supply stop may need to be relocated if it is less than 8-1/2" (216 mm) from the centerline of the toilet. Dry fit the toilet to confirm if the supply stop needs to be relocated.