

24" 2.0 Cubic Foot Front-Load Washer/ Dryer Combo

HLC1700AXW



Available

Unit Specifications

Width	23 7/16"
Depth	22 15/32"
Height	33 9/32"
Weight	148 lbs.
UPC	688057360348 (White) 688057360485 (Silver)

More Easy-To-Use Features

- Spin cycle on/off option
- 24-hour delay start
- Pre-wash option
- Wash only option
- Variable temperature settings for dryer
- Adjustable leveling legs

Limited Warranty

- 1 Year Warranty (Parts & Labor)

Available Finishes



HLC1700AXW



HLC1700AXS

Stainless Steel Drum

Delivers durability in a drum that doesn't peel, crack, or snag fabrics

Non-Vented Condensing Drying

Allows clothes to dry without the need for external venting; only requires a cold water hookup and standard outlet for installation

Compact Fit

Offers installation flexibility in small spaces

120V, 60Hz

Provides a reliable electrical supply



Letter	Overall Dimensions	in.
A	Height	33 9/32"
B	Depth	22 15/32"
C	Width	23 7/16"
D	Depth (door open 90°)	40 23/32"

Clearances	
Front	1"
Sides and Rear	1"
Top of Control	1"

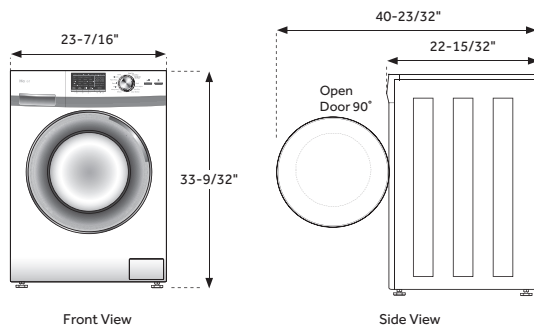
Overall Packaging Details

Packaging	lb./in.
Gross Weight	161 lbs.
Dimensions	W 26 15/32" D 26 15/32" H 36 7/32"

Power Requirements

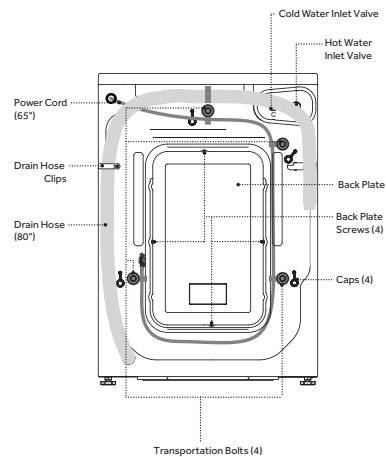
Electrical Rating	120V, 60Hz
-------------------	------------

Product Technical Illustration



Front View

Side View



General Appliance Information

Please read all installation details and instructions before use.

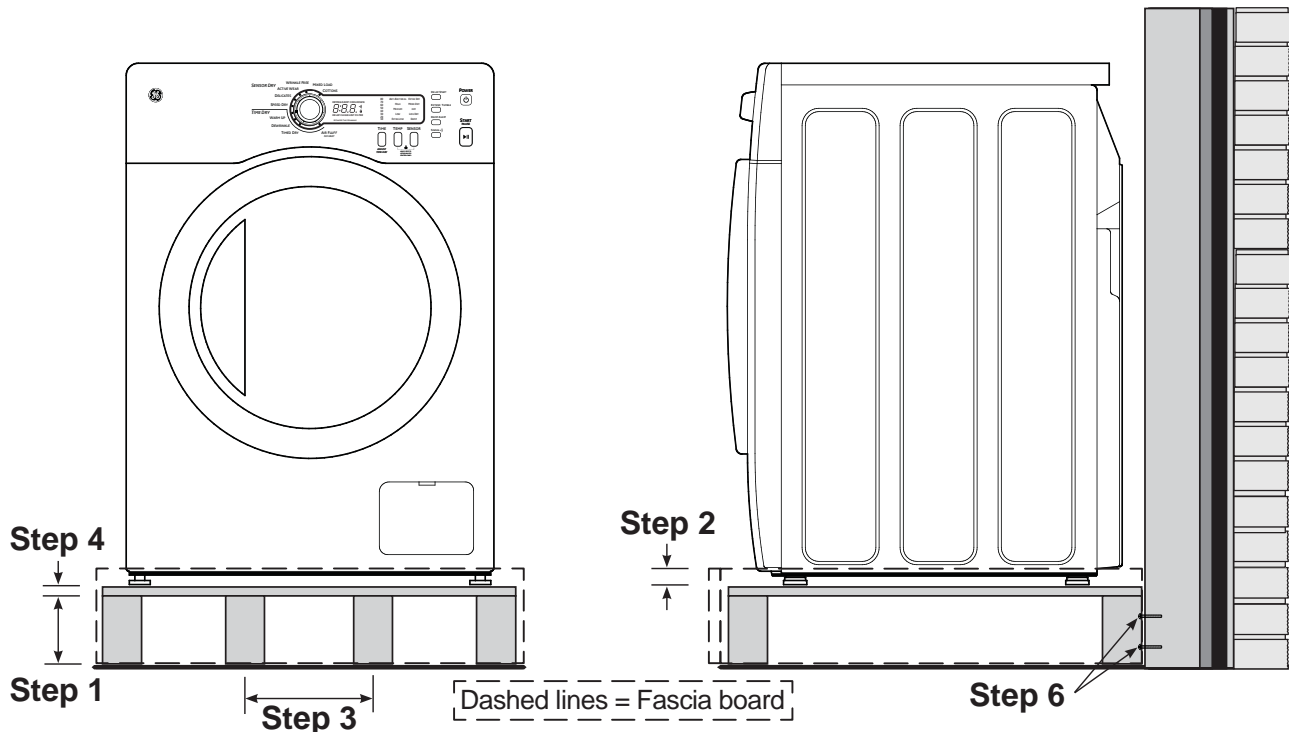
Contact Us

For questions regarding this product please refer to our website at haieramerica.com or call our customer service center at 877-337-3639.



Fabricate a wooden platform following these required instructions for ADA compliance

1. The platform must raise the appliance at least 3", but not more than 7".
2. A hardwood fascia board that is 1" thick is required on any open side of the platform. The fascia board must have a lip height of 1" above the top to allow the consumer to open the front clean-out panel. Each fascia board must be attached with minimum of six ¼" - 20 x 4" bolts with fender washers and locknuts on the backside.
3. The suggested maximum distance between lateral supports is 10".
4. Plywood top must be ¾" thick
5. The platform length can be dimensioned to fit one or multiple front loading compact laundry units.
6. The platform must be firmly secured, at least at two points, to an adjacent wall.
7. Place the front loading compact laundry unit(s) on the completed platform.
8. The front of any front loading compact laundry unit must be less than 10" from the front of the platform including the fascia board.
9. Follow the **Installation Instructions** shipped with your washer and/or dryer to complete the installation.



Front loading compact washer shown mounted on the wooden platform which is secured to adjacent wall