

## Installation Instructions for the Sure-Lites CU2 Emergency Light

---

**⚠ WARNING**

---

**Risk of Fire/Electric Shock**

If not qualified, consult an electrician.

---

**⚠ WARNING**

---

**Risk of Electric Shock**

Disconnect power at fuse or circuit breaker before installing or servicing.

---

### Important Safeguards

WHEN USING ELECTRICAL EQUIPMENT, BASIC SAFETY PRECAUTIONS SHOULD ALWAYS BE OBSERVED INCLUDING THE FOLLOWING.

1. READ AND FOLLOW ALL SAFETY INSTRUCTIONS
2. Do not use outdoors.
3. Do not use in hazardous locations, or near gas or electric heaters.
4. Do not let power supply cords touch hot surfaces.
5. Use caution when servicing batteries. Battery acid can cause burns to skin and eyes. If acid is spilled on skin or in eyes, flush acid with fresh water and contact a physician immediately.
6. Do not use this equipment for other than the intended use.
7. Installation is to be performed only by qualified personnel.
8. Install in accordance with National Electric Code and local regulatory agency requirements.
9. The use of accessory equipment not recommended by the manufacturer may cause an unsafe condition.
10. Equipment should be mounted in locations and at heights where it will not readily be subjected to tampering by unauthorized personnel.
11. SAVE THESE INSTRUCTIONS

MAX MOUNTING HEIGHT: 10.8 ft.

### INSTALLATION

1. De-energize the circuit at the junction box (J-box) where the emergency light is to be installed.
2. Open the emergency light by inserting a screwdriver in the two slots at the bottom of the unit, then tipping the cover up off of the backplate.
3. To mount to a junction box - Drill out the appropriate mounting pattern and the wire pass hole in the backplate to fit the J-box being used.
4. To mount to conduit – Cut out the U shaped knockout on the cover using snips, then attach the 1/2" conduit hub to the backplate.
5. Once the backplate is secured, the housing can be held in place during installation using the EZ Hang feature. (see Fig. 1)
6. Connect the incoming wires to the fixture's power supply wires using the wire nuts provided. Connect the white wire to neutral. If using 120V, connect the black wire to the hot lead. If using 240 or 277V, connect the orange wire to the hot lead. Cap the unused lead. Secure the emergency light to the wall and/or junction box using installer supplied hardware.
7. Connect the battery to the PCB. See schematic for detail.
8. Snap the cover onto the backplate.
9. Energize AC supply. The test button should illuminate, and LED heads will illuminate briefly when the test button is pushed.

# Installation Instructions for the Sure-Lites CU2 Emergency Light

## OPERATION

Depress the test switch. The LED heads will remain lit and the charge LED will extinguish. LED heads will illuminate as long as the button is pushed. Release the test switch. The charge LED will illuminate and the LED heads will turn off.

## MAINTENANCE

None required. Replace the batteries as needed according to ambient conditions. However, we recommend that the equipment be tested regularly in accordance with local codes.

**NOTE:** Servicing of any parts should be performed by qualified personnel. Only use replacement parts supplied by Cooper Lighting Solutions.

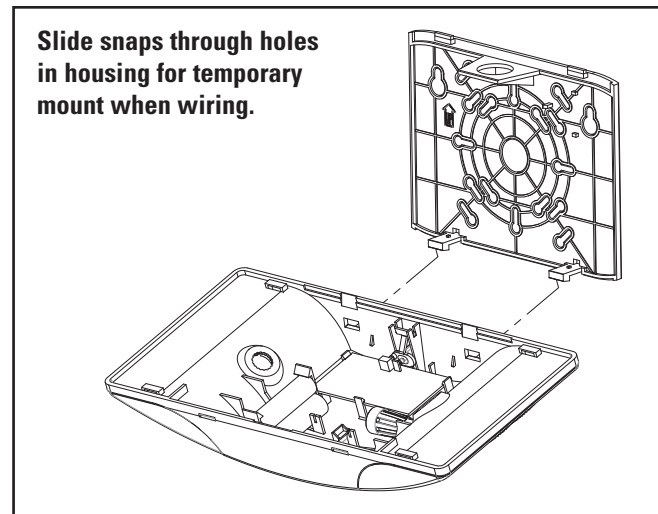
**CAUTION:** This equipment is furnished with a sophisticated low voltage battery dropout circuit to protect the battery from over discharge after its useful output has been used. Allow 24 hours recharge time after installation or power failure for 90 minute testing.

## TROUBLE SHOOTING GUIDE

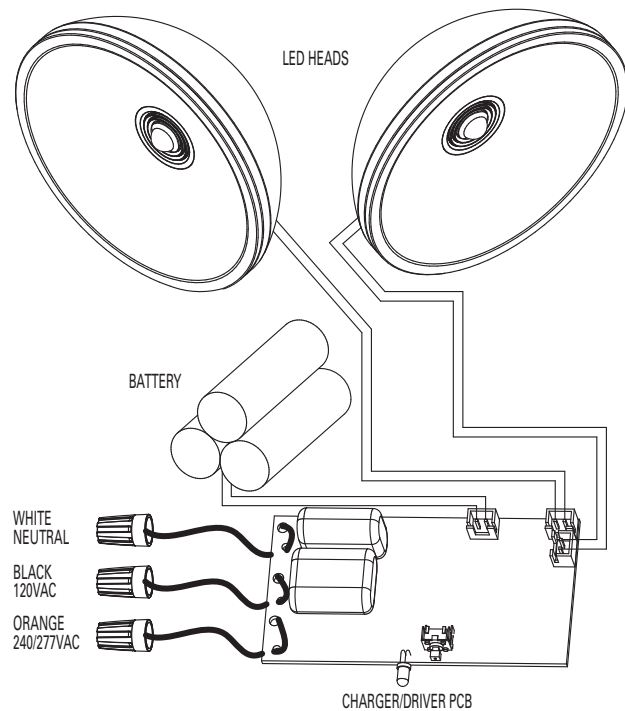
If LED heads or charge indicator LED does not illuminate, check the following:

1. Check AC supply – verify that unit has 24 hour AC supply.
2. Unit is shorted or battery is not connected.
3. Battery discharged. Permit unit to charge for 24 hours and then re-test. (For 240V input, allow 48 hours).
4. If following the above trouble shooting hints does not solve your problem, contact your local Cooper Lighting Solutions representative for assistance.

Figure 1



## SCHEMATIC



## Warranties and Limitation of Liability

Please refer to [www.cooperlighting.com](http://www.cooperlighting.com) for our terms and conditions.

Cooper Lighting Solutions  
1121 Highway 74 South  
Peachtree City, GA 30269  
P: 770-486-4800  
[www.cooperlighting.com](http://www.cooperlighting.com)

© 2020 Cooper Lighting Solutions  
All Rights Reserved  
Printed in USA  
Publication No. TD505010EN  
December 10, 2015 11:19 AM



Cooper Lighting Solutions is a registered trademark. All trademarks are property of their respective owners.

Product availability, specifications, and compliances are subject to change without notice