



T4 Pro

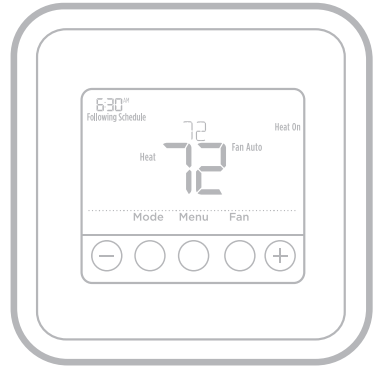
Programmable Thermostat

Product Data

.....

Package Includes:

- T4 Pro Thermostat
 - UWP™ Mounting System
 - Decorative Cover Plate
 - Screws and Anchors
 - 2 AA Batteries
 - Thermostat Literature
-



M37844

TH4110U2005,
TH4210U2002

Optional Cover Plate installation

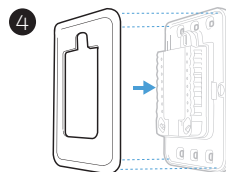
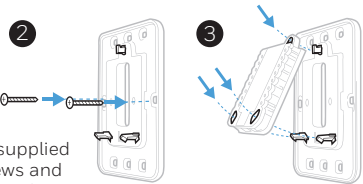
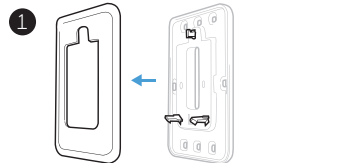
NOTE: If Optional Cover Plate is not required, see “UWP Mounting System installation” on next page.

Use the **Optional Cover Plate** when you need to cover paint gap from old thermostat.

There are different cover plates depending on when the thermostat was manufactured.

For the square cover plate:

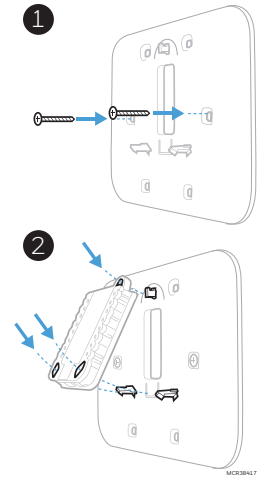
1. Separate the Cover Plate from Mounting Plate.
2. Mount the Mounting Plate on to the wall using any of the 8 screw holes. Insert and tighten mounting screws supplied with Cover Plate Kit. Do not overtighten. See Figure 2. Make sure the Mounting Plate is level.
3. Attach the UWP by hanging it on the top hook of the Mounting Plate and then snapping the bottom of the UWP in place. See Figure 3.
4. Snap the Cover Plate onto the Mounting Plate. See Figure 4.



MCR38416

For the rectangular cover plate:

1. Mount the Cover Plate on the wall using any of the 6 screw holes. Insert and tighten the mounting screws supplied with the Cover Plate. Do not overtighten. See Figure 1. Make sure the Cover Plate is level. Attach the UWP by hanging it on the top hook of the Cover Plate and then snapping the bottom of the UWP in place. See Figure 2.
2. If there are no existing wall anchors:
 - a. Position the Cover Plate on wall. Level and mark hole positions. See Figure 1.
 - b. Drill holes at marked positions, and then lightly tap supplied wall anchors into the wall using a hammer.
 - If your box contains red anchors, drill $7/32$ " (5.6 mm) holes.
 - If your box contains yellow anchors, drill $3/16$ " (4.8 mm) holes.
 - Use 2x supplied screws (#8 1-1/2" (38 mm) for red anchors and #6 1-1/2" (38 mm) for yellow anchors).

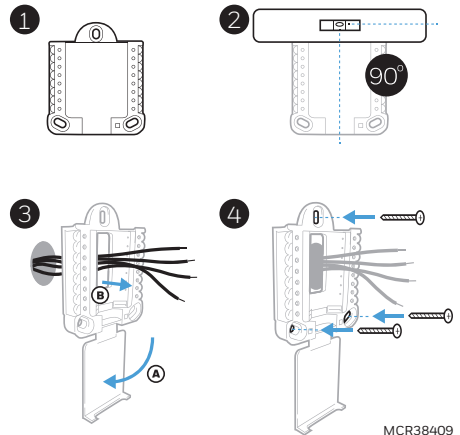


UWP Mounting System installation

1. Before starting, turn the power off at the breaker box or switch. Open package to find the UWP. See Figure 1.
2. Position the UWP on wall. Level and mark hole positions. See Figure 2.

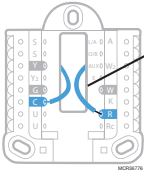
Drill holes at marked positions, and then lightly tap supplied wall anchors into the wall using a hammer.

- If your box contains red anchors, drill $7/32$ " holes.
- If your box contains yellow anchors, drill $3/16$ " holes.
3. Pull the door open and insert the wires through wiring hole of the UWP. See Figure 3.
4. Place the UWP over the wall anchors. Insert and tighten mounting screws supplied with the UWP. Do not overtighten. Tighten until the UWP no longer moves. Close the door. See Figure 4.

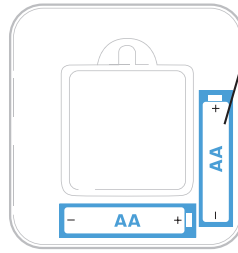


Use 3x supplied screws (#8 1-1/2 for red anchors and #6 1-1/2 for yellow anchors)

Power options



Insert **R** and **C** wires into designated terminals for primary AC power (C terminal is optional if batteries are installed, but it is recommended). Remove wires by depressing the terminal tabs.



Insert AA batteries for primary or backup power.

MCR36114

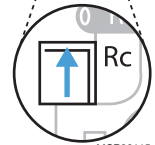
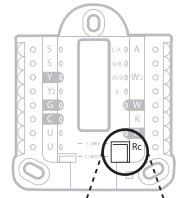
Setting Slider Tabs

Set R Slider Tab.

- Use built-in jumper (**R Slider Tab**) to differentiate between one or two transformer systems.
- If there is only one R wire, and it is connected to the **R**, **Rc**, or **RH** terminal, set the slider to the up position (**1 wire**).
- If there is one wire connected to the **R** terminal and one wire connected to the **Rc** terminal, set the slider to the down position (**2 wires**).

NOTE: Slider Tabs for U terminals should be left in place for T4 Pro models.

UWP Mounting System

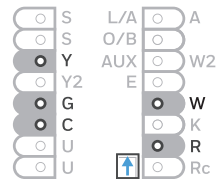


MCR36115

R/Rc Slider Tab
(built-in jumper)

UWP Wiring terminal designations

S	Not used for T4 thermostat.	L/A - A	Not used for T4 thermostat.
S		O/B	Changeover valve
Y	Compressor contactor (stage 1)	AUX - W2	Auxiliary heat (TH4210U only)
Y2	Not used for T4 thermostat.	E	Emergency heat (TH4210U only)
G	Fan	W	Heat (stage 1)
C	24VAC common. For 2 transformer systems, use common wire from cooling transformer.	K	Connect to K on C-wire adaptor**
U	Not used for T4 thermostat.	R	24VAC power from heating transformer*
U		Rc	24VAC power from cooling transformer*



MCR36094

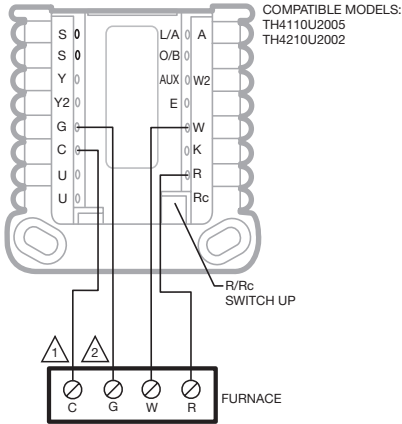
Note: Not all terminals may be used, depending on the system type that is being wired. The most commonly used terminals are shaded.

* Terminal can be jumped using Slider Tab. See "Setting Slider Tabs" above.

** The THP9045A C-wire adaptor is used on heat/cool systems when you only have four wires at the thermostat, and you need a fifth wire for a common wire. Use the K terminal in place of the Y and G terminals on conventional or heat pump systems to provide control of the fan and the compressor through a single wire—the unused wire then becomes your common wire. See THP9045 instructions for more information.

Wiring diagrams

1 Stage Heat Only: Gas or Oil Furnace

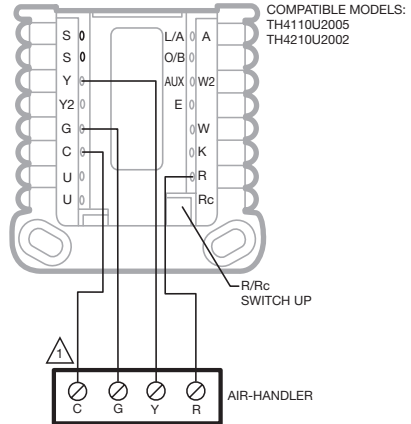


△ COMMON OPTIONAL.

△ G USED FOR INDEPENDENT FAN CONTROL ONLY. MOST HEAT ONLY, GAS OR OIL FORCED AIR SYSTEMS DO NOT USE A FAN (G) WIRE.

M38990

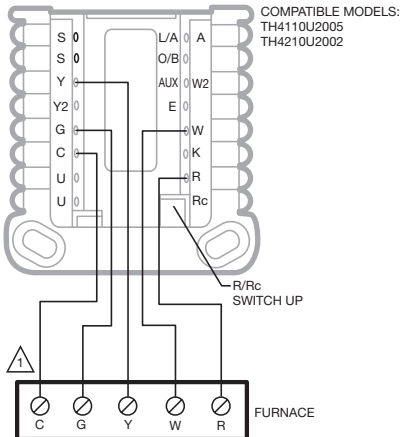
1 Stage Cool Only



△ COMMON OPTIONAL.

M38991

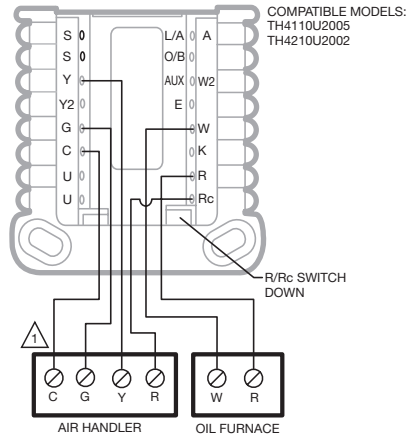
1H/1C: Gas Furnace + Air-Conditioning



△ COMMON OPTIONAL.

M38992

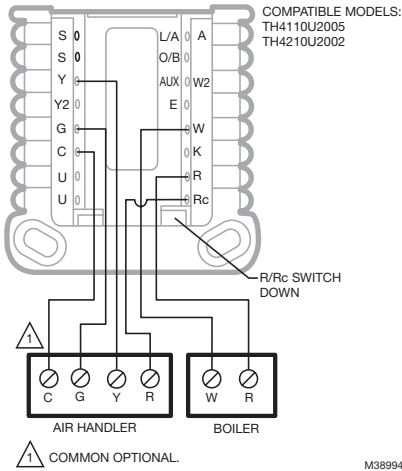
2 Transformer System, 1H/1C: Oil Furnace + Air-Conditioning



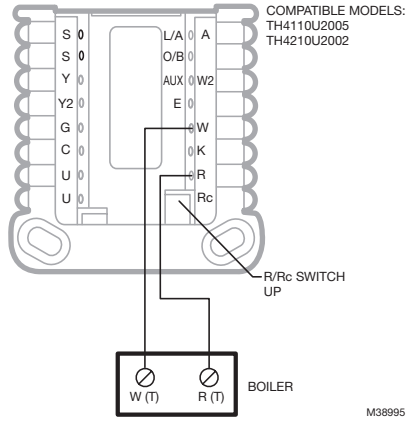
△ COMMON OPTIONAL.

M38993

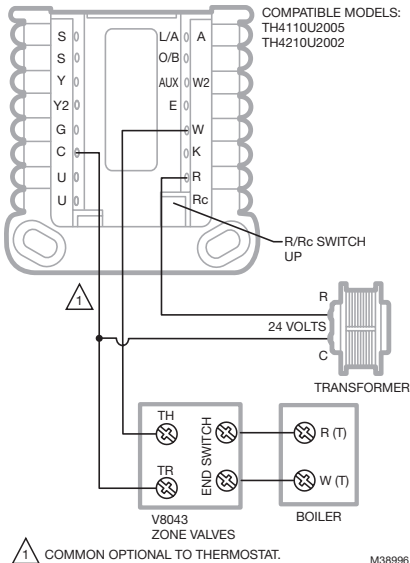
2 Transformer System, Hot Water Heat with Air-Conditioning (or Hot Water Coil)



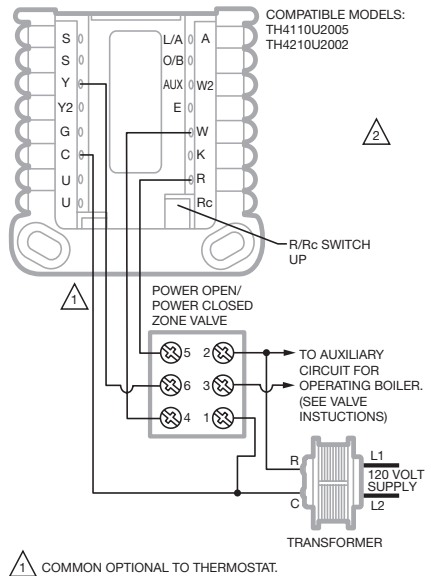
Hot Water Boiler, Heat Only



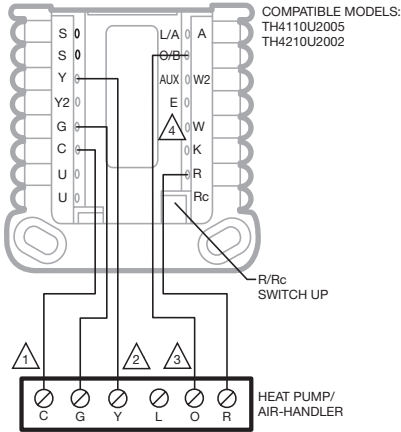
Hot Water Heat with Power Open Zone Valve



Hot Water Heat with Power Open/Power Closed, Series 20 Zone Valve

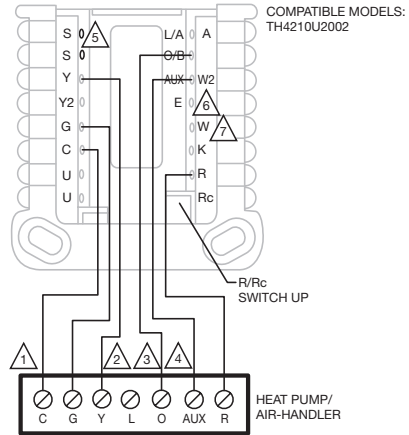


1H/1C: Heat Pump without Aux Heat



- 1 COMMON OPTIONAL.
- 2 L CONNECTION (HEAT PUMP FAULT) NOT AVAILABLE ON T1 AND T4 MODELS. THE TH6210U2001 CAN BE USED IF FAULT INDICATION ON THERMOSTAT IS NEEDED.
- 3 SOME HEAT PUMPS USE B RATHER THAN O FOR REVERSING VALVE.
- 4 **DO NOT CONNECT ANY WIRE TO W FOR HEAT PUMP APPLICATIONS! THIS CAN CAUSE HEAT TO RUN CONTINUOUSLY.** M38998

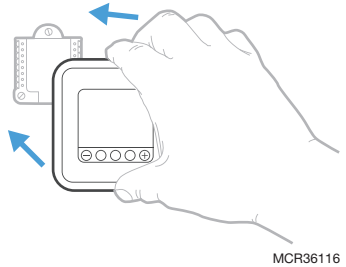
2H/1C: Heat Pump with Electric Aux Heat



- 1 COMMON OPTIONAL.
- 2 L CONNECTION (HEATPUMP FAULT) NOT AVAILABLE ON TH4210U2002 MODEL. THE TH6210U2001 CAN BE USED IF FAULT INDICATION ON THERMOSTAT IS NEEDED.
- 3 SOME HEAT PUMPS USE B RATHER THAN O FOR REVERSING VALVE.
- 4 DIFFERENT HEAT PUMP MODELS LABEL THE AUXILIARY HEAT TERMINAL DIFFERENTLY THAN SHOWN. CONSULT HEAT PUMP WIRING GUIDE.
- 5 IF AUX HEAT LOCKOUT ON HIGH OUTDOOR TEMPERATURE IS REQUIRED, USE TH6220U2000 THERMOSTAT AND C7089U1006 OUTDOOR SENSOR. THE TH4210U2002 CANNOT DO THIS.
- 6 MOST HEAT PUMPS SHARE THE SAME SET OF HEAT STRIPS FOR AUX AND EM HEAT. IN THOSE CASES E ISN'T USED. IF YOU HAVE SEPARATE HEAT SOURCES FOR THE AUX AND EM HEAT, THE TH4210U2002 CANNOT BE SET TO DO THIS. THE TH6320U2008 MODEL CAN BE CONFIGURED FOR SEPARATE AUX AND E. IF THIS IS DONE, WIRE ONE SET OF STRIPS TO E TO BE ENERGIZED IN EM HEAT AND A DIFFERENT SET OF STRIPS TO AUX TO BE ENERGIZED IN AUX HEAT.
- 7 **DO NOT CONNECT ANY WIRE TO W FOR HEAT PUMP APPLICATIONS! THIS CAN CAUSE HEAT TO RUN CONTINUOUSLY.** M39002

Thermostat mounting

1. Push excess wire back into the wall opening.
2. Close the UWP door. It should remain closed without bulging.
3. Align the UWP with the thermostat, and push gently until the thermostat snaps in place.
4. Turn the power on at the breaker box or switch.



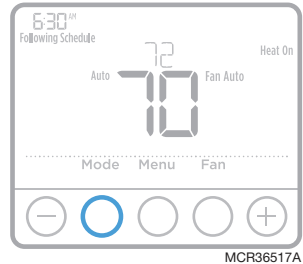
System operation settings

- 1 Press the **Mode** button to cycle to the next available System mode.
- 2 Cycle through the modes until the required System mode is displayed and leave it to activate.

NOTE: Available System modes vary by model and system settings.

System modes:

- **Auto:** Thermostat selects heating or cooling as needed.
- **Heat:** Thermostat controls only the heating system.
- **Cool:** Thermostat controls only the cooling system.
- **Em Heat** (TH4210U only) (only for heat pumps with auxiliary heat): Thermostat controls Auxiliary Heat. Compressor is not used.
- **Off:** Heating and cooling system is off. Fan will still operate if fan is set to On.



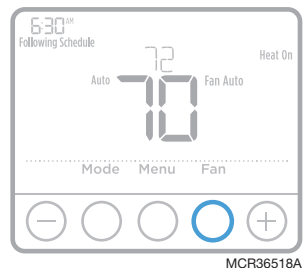
Fan operation settings

- 1 Press the **Fan** button to cycle to the next available Fan mode.
- 2 Cycle through the modes until the required Fan mode is displayed and leave it to activate.

NOTE: Available Fan modes vary with system settings.

Fan modes:

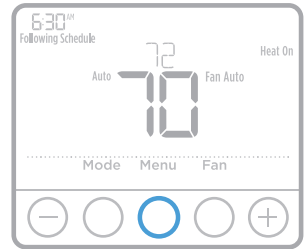
- **Auto:** Fan runs only when the heating or cooling system is on.
- **On:** Fan is always on.



Set the time and date

Time

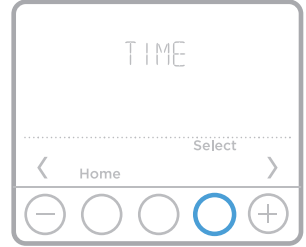
- 1 Press **Menu**, and then press **+** to go to **TIME**. Press **Select**.
- 2 Press **+** or **-** to choose between 12 or 24 hour. Press **Select**.
- 3 Use **+** or **-** to adjust the hour. Press **Select**.
- 4 Use **+** or **-** to adjust the minutes. Press **Select** to exit Time menu.



MCR36519A

Date

- 1 If previously setting time, continue to Step 2. If at the Home screen, press **Menu** on your thermostat.
- 2 Press **+** or **-** to go to **DATE**. Press **Select**.
- 3 Use **+** or **-** to adjust year. Press **Select**.
- 4 Use the **+** or **-** to adjust month. Press **Select**.
- 5 Use the **+** or **-** to adjust Date. Press **Select** to save and exit Date menu.



MCR36523

Program Schedule

You can program four time periods each day, with different settings for weekdays and weekends. We recommend the pre-sets (shown in the table below), since they can reduce your heating/cooling expenses.

Wake - Set to the time you wake up and the temperature you want during the morning, until you leave for the day.

Away - Set to the time you leave home and the temperature you want while you are away (usually an energy-saving level).

Home - Set to the time you return home and the temperature you want during the evening, until bedtime.

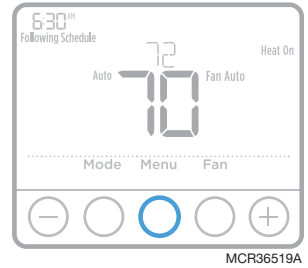
Sleep - Set to the time you go to bed and the temperature you want overnight (usually an energy-saving level).

NOTE: To temporarily or permanently override any of the above program schedules, see page 4.

	Heat	Cool
Wake (6:00 am)	70°	78°
Away (8:00 am)	62°	85°
Home (6:00 pm)	70°	78°
Sleep (10:00 pm)	62°	82°

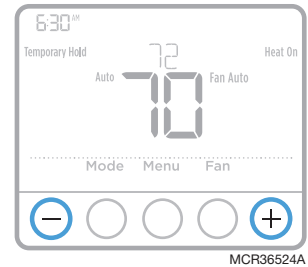
To adjust program schedules

- 1 Press **Menu** on your thermostat.
- 2 **PROG** is displayed. Press **Select**. Then **ON** is displayed. (If you do not want to use a schedule, press **+** or **-** to display **OFF**. Press **Select**.) Press **Select**.
- 3 Press **+** or **-** to select day or set of days to edit. Press **Select**.
- 4 Press **+** or **-** to select a schedule period to edit (Wake, Away, Home, and Sleep). Press **Select**.
- 5 **ON** is displayed. Press **Select** to keep the schedule period on. Or press **+** and then **Select** to turn off the schedule period.
- 6 Time starts blinking. Press **+** or **-** to adjust the schedule period start time. Press **Select**.
- 7 Temperature starts blinking. Press **+** or **-** to adjust the “Heat” setpoint temperature. Press **Select**. Press **+** or **-** to adjust the “Cool” temperature setpoint. Press **Select**.
- 8 Repeat steps 4 through 7 for the remaining schedule periods.
- 9 Press **Home** when you’re finished to save and return to the home screen.
- 10 Schedule can be adjusted and turned **ON** or **OFF** by returning to **Menu** and following the steps provided above.



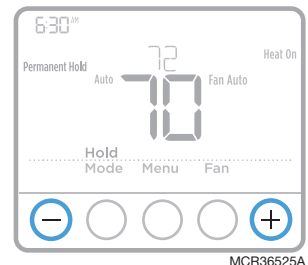
Program schedule override (temporary)

- 1 Press **+** or **-** to adjust the temperature.
- 2 Once at the desired setpoint temperature, no further action is needed. The new setpoint temperature will be held until the next scheduled time period begins. For more information on schedule time periods, see “Program Schedule” on page 3.
- 3 To cancel the Temporary Hold, Press **+** or **-** and then press **Cancel**.



Program schedule override (permanent)

- 1 Press **+** or **-** to adjust the temperature.
- 2 **TEMPORARY HOLD** is displayed and the setpoint temperature flashes. While it’s flashing, press **Hold** (Mode) button to change to Permanent Hold.
- 3 To cancel the Permanent Hold, press **+** or **-** and then press **Cancel**.



Adjusting keypad lockout

- 1 Press **Menu** on the thermostat.
- 2 Press **+** or **-** to go to **LOCK**. Press **Select**.
- 3 Press **+** or **-** to go to **OFF, PART, or ON**, and then press **Select**.
OFF: Unlocked, and full access allowed.
PART: Partial lockout, allowing only the temperature to be changed.
ON: No access allowed.
- 4 To unlock the keypad, press the **CENTER** button and then enter the password "1234". To enter the password, press **+** or **-** to change the first digit of the number. Then press **Select**. Repeat this process to enter the second through fourth digits of the number. Once all four numbers have been entered, press **Select** again.
- 5 This will unlock the keypad.
- 6 If the code is incorrect, the screen will flash the lines "--".
- 7 Press **Back** to go back a step to enter the correct number and press **Select**.

NOTE: On some models keypad lockout is not available under menu if the installer did not enable the lockout during the installer setup.

Adjusting idle backlight display brightness

- 1 Press **Menu** on the thermostat.
- 2 Press **+** or **-** to go to **LITE**. Press **Select**.
- 3 Current brightness setting is displayed (1-5).
- 4 Press **+** or **-** to adjust backlight brightness.
- 5 Press **Select** to save and exit **LITE** menu.

NOTE: Backlight is only displayed if the C (common) wire is connected.

Adaptive Intelligent Recovery

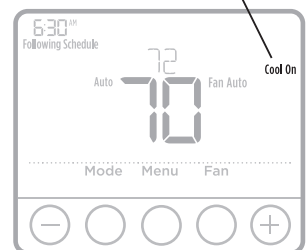
Over time, the T4 Pro Thermostat "learns" how long it takes your system to reach the temperature you want. It turns on the heating or cooling system earlier to make sure you're comfortable at the time you expect.

Built-in compressor protection

Damage can occur if the compressor is restarted too soon after shutdown. This feature forces the compressor to wait for a few minutes before restarting.

During the wait time, the display will flash the message **Cool On** (or **Heat On** if you have a heat pump). When the safe wait time has elapsed, the message stops flashing and the compressor turns on.

Message flashes until safe restart time has elapsed.



MCR36526A

Battery replacement

Batteries are optional (to provide backup power) if your thermostat was wired to run on AC power when installed. If your thermostat was not wired to run on AC power, then batteries are required.

Install fresh batteries immediately when the low battery icon appears. The icon appears about two months before the batteries are depleted.

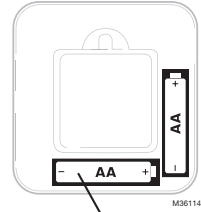
Even if the low battery icon does not appear, you should replace batteries once a year, or before leaving home for more than a month.

If batteries are inserted within two minutes, the time and day will not have to be reset. All other settings are permanently stored in memory, and do not require battery power.

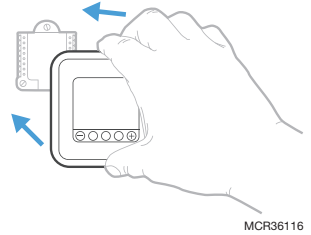
NOTE: When replacing batteries, alkaline batteries are recommended.




When the low battery warning appears, press gently to loosen the thermostat and then carefully pull it from the wall mount.





Insert fresh alkaline AA batteries and reinstall thermostat.

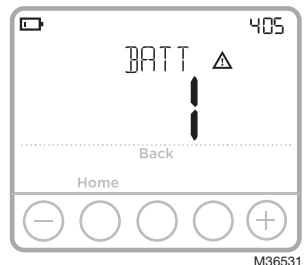
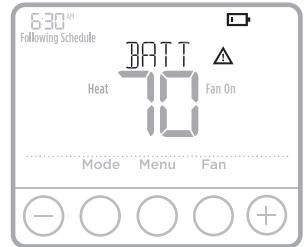


Alerts




If there is an alert or reminder, the alert icon  appears on the Home screen.

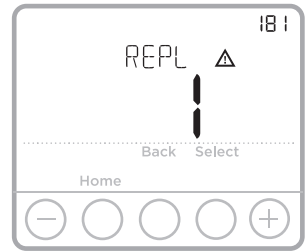
Low Battery Warning

- 1 The batteries need to be replaced when **BATT**, the alert icon , and the battery icon are displayed on the Home screen.
- 2 When the battery power is very low, the thermostat's backlight is disabled to save battery power.
- 3 When battery power is critically low, only **BATT**, the alert icon , and the battery icon are displayed.





Air Filter Reminder

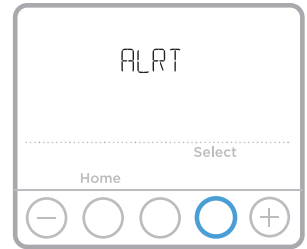
- 1 The alert icon  appears on the Home screen.
- 2 Press **Menu**, and then press  until display shows **ALRT**.
- 3 Press **Select** to display which alert(s) are present.
- 4 The message **REPL** (REPLACE AIR FILTER) appears.
- 5 The reminder can be snoozed or cleared. Resideo recommends changing the air filter before clearing the reminder.
- 6 To snooze, press **Select**. The word **SNZE** (SNOOZE) appears.
- 7 Press **Select** again to snooze the reminder for 7 days.
- 8 To clear, press **Select**, and then press  to go to **CLER** (Clear).
- 9 Press **Select** to clear the air filter reminder.



M36532

Snoozing and Clearing Alerts or Reminders*

- 1 Press **Menu**, and then press  until display shows **ALRT**.
- 2 Press **Select** to display which alert(s) are present.
- 3 The word **SNZE** (SNOOZE) appears.
- 4 Press **Select** again to snooze the reminder for 7 days.
- 5 To clear the alert, press **Select**, and then press  to go to **CLER** (Clear).
- 6 Press **Select** to clear the reminder.



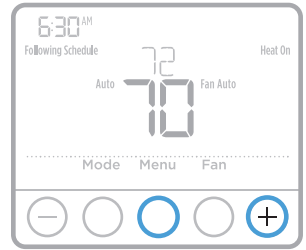
MCR36533

* Some alerts cannot be snoozed or cleared. Please call your local heating and cooling professional if this occurs. The heating and cooling system may require service.

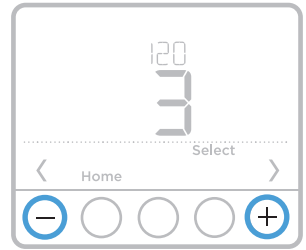
Installer setup (ISU)

- 1 Press and hold **CENTER** and **+** buttons for approximately 3 seconds to enter advanced menu.
- 2 Press **Select** to enter **ISU**.
- 3 Press **Select** to cycle through menu setup options.
- 4 Press **+** or **-** to change values or select from available options.
- 5 Press **Select** and confirm your settings or press **Back** to ignore changes and return to ISU menu screen to continue editing another setup option.
- 6 To finish setup process and save your setting, press **Home** and return to Home screen.

NOTE: A complete list of all setup (ISU) parameters and options starts below and continues through page 16.



MCR36535



MCR36520

Advanced setup options (ISU)

NOTE: Depending on system settings, not all options may be available.

# ISU	ISU Name	ISU Options (factory default in bold)
120	Scheduling Options	0 = Non-Programmable 2 = 5-2 Programmable 3 = 5-1-1 Programmable 4 = 7-Day Programmable <i>Note: You can change default MO-FR, SA-SU schedule here. To edit periods during days, temperature setpoints, or to turn Schedule On/Off, touch MENU and go to SCHEDULE.</i>
125	Temperature Indication Scale	0 = Fahrenheit 1 = Celsius
200	Heating System Type	1 = Conventional Forced Air Heat 2 = Heat Pump 3 = Radiant Heat 5 = None (Cool Only) <i>Note: This option selects the basic system type your thermostat will control.</i>

Advanced setup options (ISU) (continued)

# ISU	ISU Name	ISU Options (factory default in bold)																
205	Heating Equipment Type	<p><i>Conventional Forced Air Heat:</i> 1 = Standard Efficiency Gas Forced Air 2 = High Efficiency Gas Forced Air 3 = Oil Forced Air 4 = Electric Forced Air 5 = Hot Water Fan Coil</p> <p><i>Heat Pump:</i> 7 = Air to Air Heat Pump 8 = Geothermal Heat Pump</p> <p><i>Radiant Heat:</i> 9 = Hot Water Radiant Heat 12 = Steam</p> <p><i>Note: This option selects the equipment type your thermostat will control. Note: This feature is NOT displayed if feature 200 is set to Cool Only.</i></p>																
218	Reversing Valve O/B	<p>0 = O (O/B in Cool) 1 = B (O/B in Heat)</p> <p><i>Note: This option is only displayed if the Heat Pump configured. Select whether reversing valve O/B should energize in cool or in heat.</i></p>																
220	Cool Stages / Compressor Stages 200=Conv / 200=HP	<p>0, 1</p> <p><i>Note: Select how many Cool or Compressor stages of your equipment the thermostat will control. Set value to 0 if you do not have Cool Stage/Compressor Stage.</i></p>																
221	Heat Stages / Backup Heat Stages	<p>Heat Stages: 1 Backup Heat Stages: 0, 1</p> <p><i>Note: Select how many Heat or Aux/E stages of your equipment the thermostat will control.</i></p>																
230	Fan Control in Heat	<p>1 = Equipment Controls Fan 2 = Thermostat Controls Fan</p> <p><i>Note: This ISU is only displayed if ISU 205 is set to Electric Forced Air or Fan Coil.</i></p>																
300	System Changeover	<p>0 = Manual 1 = Automatic</p> <p><i>Note: Thermostat can automatically control both heating and cooling to maintain the desired indoor temperature. To be able to select "automatic" system mode on thermostat home screen, turn this feature ON. Turn OFF if you want to control heating or cooling manually.</i></p>																
303	Auto Changeover Differential	<p>0 °F to 5 °F 0.0 °C to 2.5 °C</p> <p><i>Note: Differential is NOT deadband. Differential means how far past the setpoint before switching to the mode selected. Deadband setup is not an option. An advanced algorithm fixes the deadband at 0 °F. This is more advanced than previous thermostats.</i></p>																
340	Backup Heat Droop (TH4210U only)	<table style="width: 100%; border: none;"> <tr> <td style="width: 50%;">0 = Comfort</td> <td style="width: 50%;">9 = 9 °F</td> </tr> <tr> <td>2 = 2 °F</td> <td>10 = 10 °F</td> </tr> <tr> <td>3 = 3 °F</td> <td>11 = 11 °F</td> </tr> <tr> <td>4 = 4 °F</td> <td>12 = 12 °F</td> </tr> <tr> <td>5 = 5 °F</td> <td>13 = 13 °F</td> </tr> <tr> <td>6 = 6 °F</td> <td>14 = 14 °F</td> </tr> <tr> <td>7 = 7 °F</td> <td>15 = 15 °F</td> </tr> <tr> <td>8 = 8 °F</td> <td></td> </tr> </table>	0 = Comfort	9 = 9 °F	2 = 2 °F	10 = 10 °F	3 = 3 °F	11 = 11 °F	4 = 4 °F	12 = 12 °F	5 = 5 °F	13 = 13 °F	6 = 6 °F	14 = 14 °F	7 = 7 °F	15 = 15 °F	8 = 8 °F	
0 = Comfort	9 = 9 °F																	
2 = 2 °F	10 = 10 °F																	
3 = 3 °F	11 = 11 °F																	
4 = 4 °F	12 = 12 °F																	
5 = 5 °F	13 = 13 °F																	
6 = 6 °F	14 = 14 °F																	
7 = 7 °F	15 = 15 °F																	
8 = 8 °F																		

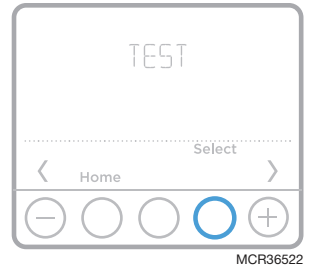
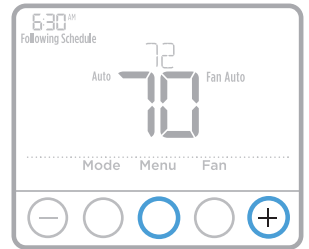
Advanced setup options (ISU) (continued)

# ISU	ISU Name	ISU Options (factory default in bold)
350	Upstage Timer for Backup Heat (TH4210U only)	0 = Off 1 = 30 minutes 2 = 45 minutes 3 = 60 minutes 4 = 75 minutes 5 = 90 minutes 6 = 2 hours 7 = 3 hours 8 = 4 hours 10 = 5 hours
365	Compressor Cycle Rate (Stage 1)	1 - 6 <i>Note: This ISU is only displayed when Cool /Compressor Stage is set to 1 stage. Cycle rate limits the maximum number of times the system can cycle in a 1 hour period measured at a 50% load. For example, when set to 3 CPH, at a 50% load, the most the system will cycle is 3 times per hour (10 minutes on, 10 minutes off). The system cycles less often when load conditions are less than or greater than a 50% load.</i>
370	Heating Cycle Rate (Stage 1)	1 - 12 <i>Note: This ISU is only displayed when Heat Stage is set to 1 stage. Cycle rate limits the maximum number of times the system can cycle in a 1 hour period measured at a 50% load. For example, when set to 3 CPH, at a 50% load, the most the system will cycle is 3 times per hour (10 minutes on, 10 minutes off). The system cycles less often when load conditions are less than or greater than a 50% load. The recommended (default) cycle rate settings are below for each heating equipment type: Standard Efficiency Gas Forced Air = 5 CPH; High Efficiency Gas Forced Air = 3 CPH; Oil Forced Air = 5 CPH; Electric Forced Air = 9 CPH; Fan Coil = 3 CPH; Hot Water Radiant Heat = 3 CPH; Steam = 1 CPH.</i>
375	Heating Cycle Rate Auxiliary Heat (TH4210U only)	1 - 12
387	Compressor Protection	0 = Off 1 - 5 minutes <i>Note: The thermostat has a built in compressor protection (minimum off timer) that prevents the compressor from restarting too early after a shutdown. The minimum-off timer is activated after the compressor turns off. If there is a call during the minimum-off timer, the thermostat shows "Wait" in the display. This ISU is displayed if ISU 220 is set to at least 1 stage.</i>
425	Adaptive Intelligent Recovery	0 = No 1 = Yes <i>Note: Adaptive Intelligent Recovery (AIR) is a comfort setting. Heating or cooling equipment will turn on earlier, ensuring the indoor temperature will match the setpoint at the scheduled time.</i>
430	Minimum Cool Setpoint	50 °F to 99 °F (50 °F) 10.0 °C to 37.0 °C (10.0 °C) <i>Note: The cool temperature cannot be set below this level.</i>
431	Maximum Heat Setpoint	40 °F to 90 °F (90 °F) 4.5 °C to 32.0 °C (32 °C) <i>Note: The heat temperature cannot be set above this level.</i>
435	Keypad Lockout	<i>Setting on original T4 models:</i> <i>Setting on current T4 models:</i> 0 = None 0 = Disabled 1 = Partial 1 = Enabled 2 = Full
		<i>Note: Due to customer feedback this feature was changed. On the original software you can lockout the thermostat from the ISU the same as you can from menu lockout. For later versions, this setting allows the contractor to enable or disable the lockout feature. When disabled, there is no lockout option under menu. Lockout code is 1234.</i>

Installer system test

To perform a System Test:

- 1 Press and hold **CENTER** and **+** buttons for approximately 3 seconds to enter advanced menu.
- 2 Use **+** to go to **TEST**. Press **Select** to enter System Test.
- 3 Use **+** to change between Heat, Cool, Fan, Em. Heat (TH4210U only), or Ver (thermostat version information). Press **Select**.
- 4 Press **+** to turn heat, cool, or fan on. Press **-** to turn them off.
- 5 Use the **Home** button to exit the System Test.



System test System status

Heat	0	Heat Off
	1	Heat On
	2	Heat On (TH4210U only)
Cool	0	Cool Off
	1	Cool On
Fan	0	Fan Off
	1	Fan On
Em. Heat (TH4210U only)	0	Em. Heat Off
	1	Em. Heat On

Specifications

Temperature Ranges

Heat: 40 °F to 90 °F (4.5 °C to 32.0 °C)
Cool: 50 °F to 99 °F (10.0 °C to 37.0 °C)

Operating Ambient Temperature

37 °F to 102 °F (2.8 °C to 38.9 °C)

Shipping Temperature

-20 °F to 120 °F (-28.9 °C to 48.9 °C)

Operating Relative Humidity

5% to 90% (non-condensing)

Physical Dimensions in inches (mm) (H x W x D)

4-1/16" H x 4-1/16" W x 1-5/32" D
103.5 mm H x 103.5 mm W x 29 mm D

Electrical Ratings

Terminal	Voltage (50/60Hz)	Running Current
W Heating	20-30 Vac	0.02-1.0 A
W2 (Aux) Heating (TH4210U only)	20-30 Vac	0.02-1.0 A
E Emergency Heat (TH4210U only)	20-30 Vac	0.02-0.5 A
Y Compressor Stage 1	20-30 Vac	0.02-1.0 A
G Fan	20-30 Vac	0.02-0.5 A
O/B Changeover	20-30 Vac	0.02-0.5 A

Troubleshooting

If you have difficulty with your thermostat, please try the following suggestions. Most problems can be corrected quickly and easily.

Display is blank

- Check circuit breaker and reset if necessary.
- Make sure power switch for heating & cooling system is on.
- Make sure furnace door is closed securely.
- Make sure fresh AA alkaline batteries are correctly installed (see page 3).

Heating or cooling system does not respond

- Press **Mode** button to set system Heat (see page 7). Make sure the desired temperature is set higher than the inside temperature.
- Press **Mode** button to set system Cool (see page 7). Make sure the desired temperature is set lower than the inside temperature.
- Check circuit breaker and reset if necessary.
- Make sure power switch for heating & cooling system is on.
- Make sure furnace door is closed securely.
- Wait 5 minutes for the system to respond.

Temperature settings do not change

Make sure heating and cooling temperatures are set to acceptable ranges:

- Heat: 40 °F to 90 °F (4.5 °C to 32.0 °C)
- Cool: 50 °F to 99 °F (10.0 °C to 37.0 °C)

“Cool On” or “Heat On” is flashing

- Compressor protection feature is engaged. Wait 5 minutes for the system to restart safely, without damage to the compressor.

Aux heat runs in cooling

- For heat pump systems, verify there is not a wire attached to W on UWP systems. See “Wiring heat pump systems” on page 4.

Cool runs with a call for heat

- For heat pump systems, verify there is not a wire attached to W on UWP systems. See “Wiring heat pump systems” on page 4.



CAUTION: ELECTRICAL HAZARD

Can cause electrical shock or equipment damage. Disconnect power before beginning installation.



CAUTION: EQUIPMENT DAMAGE HAZARD

Compressor protection is bypassed during testing. To prevent equipment damage, avoid cycling the compressor quickly.



CAUTION: MERCURY NOTICE

If this product is replacing a control that contains mercury in a sealed tube, do not place the old control in the trash. Contact your local waste management authority for instructions regarding recycling and proper disposal.



CAUTION: ELECTRONIC WASTE NOTICE

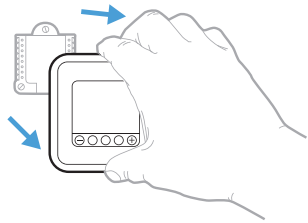
The product and batteries should not be disposed of with other household waste. Check for the nearest authorized collection centers or authorized recyclers. The correct disposal of end-of-life equipment will help prevent negative consequences for the environment and human health.

FCC statement available at <https://customer.resideo.com/en-US/support/residential/codes-and-standards/FCC15105/Pages/default.aspx>

Customer assistance

For assistance with this product, please visit customer.resideo.com.

Or call Customer Care toll-free at **1-800-468-1502**.



MCR36080

Pull to remove the thermostat from the UWP.



www.resideo.com

Resideo Technologies Inc.
1985 Douglas Drive North, Golden Valley, MN 55422
1-800-468-1502
33-00614EFS-02 M.S. Rev. 05-22 | Printed in United States

© 2022 Resideo Technologies, Inc. All rights reserved.
The Honeywell Home trademark is used under license from Honeywell International, Inc. This product is manufactured by Resideo Technologies, Inc. and its affiliates. Tous droits réservés. La marque de commerce Honeywell Home est utilisée avec l'autorisation d'Honeywell International, Inc.
Ce produit est fabriqué par Resideo Technologies, Inc. et ses sociétés affiliées.
Todos los derechos reservados. La marca comercial Honeywell Home se utiliza bajo licencia de Honeywell International, Inc.
Este producto es fabricado por Resideo Technologies, Inc. y sus afiliados.



33-00614EFS-02



T4 Pro

Thermostat programmable

Données sur le produit

.....

La boîte comprend :

- Thermostat T4 Pro
 - Système de montage UWP
 - Plaque de couvercle décorative
 - Vis et chevilles
 - 2 piles AA
 - Documentation du thermostat
-



M37844

TH4110U2005,
TH4210U2002

Installation de la plaque de couvercle en option

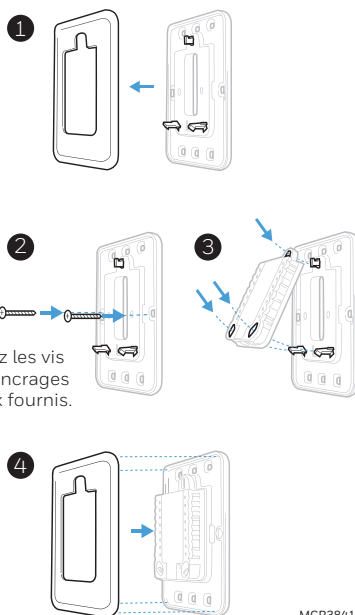
REMARQUE : Si la plaque de recouvrement en option n'est pas requise, consultez la section « Installation du système de montage UWP » à la page suivante.

Utilisez la **plaque de recouvrement en option** lorsque vous devez couvrir les coupures de peinture de l'ancien thermostat.

Il existe différentes plaques de recouvrement selon la date de fabrication du thermostat.

Plaque de recouvrement carrée :

1. Séparez la plaque de recouvrement de la plaque de fixation.
2. Fixez la plaque de fixation au mur en utilisant n'importe lesquels des 8 trous de vis. Insérez et vissez les vis de fixation fournies avec la trousse de plaque de recouvrement. Ne serrez pas trop. Voir la figure 2. Confirmez que la plaque de recouvrement est de niveau.
3. Attachez la plaque UWP en la suspendant depuis le crochet supérieur de la plaque de fixation, puis encliquez le bas de la plaque UWP. Voir la figure 3.
4. Encliquez la plaque de recouvrement sur la plaque de fixation. Voir la figure 4.



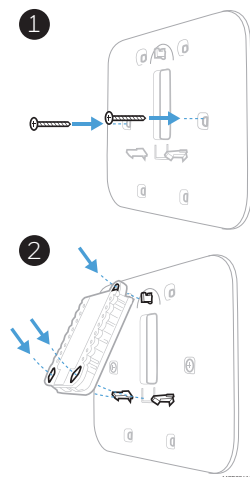
Utilisez les vis et les ancrages muraux fournis.

MCR38416

Installation du système de montage UWP

Plaque de recouvrement rectangulaire :

1. Posez la plaque de recouvrement au mur à l'aide des 6 trous de vis. Insérez et serrez les vis fournies avec le couvercle de recouvrement. Ne serrez pas excessivement. Voir la figure 1. Assurez-vous que la plaque de recouvrement est de niveau. Fixez l'UWP en l'accrochant au crochet supérieur de la plaque de recouvrement, puis en l'enclenchant en place par le bas. Voir la figure 2.
2. Fixation au mur sans utiliser les ancrages existants:
 - a. Positionnez la plaque de recouvrement sur le mur. Placez-le de niveau, puis marquez l'emplacement des trous. Voir la figure 1.
 - b. Percez les trous aux emplacements marqués, puis à l'aide d'un marteau, posez doucement les ancrages de mur fournis.
 - Si votre boîte contient des ancrages rouges, percez des trous de 5,6 mm (7/32 po).
 - Si votre boîte contient des ancrages jaunes, percez des trous de 4,8 mm (3/16 po).
 - Utilisez les deux vis (n° 8 1 1/2 po [38 mm] pour les ancrages rouges et n° 6 1 1/2 po [38 mm] pour les ancrages jaunes).



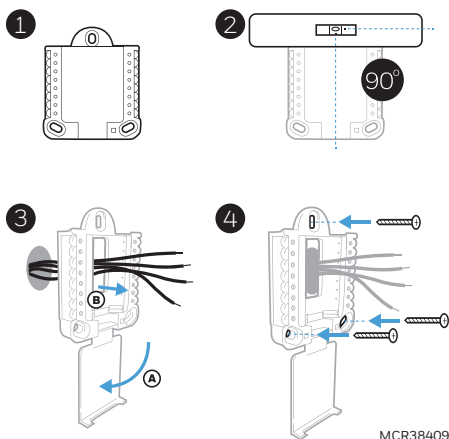
Utiliser les 3 vis fournies (N° 8 – 1 1/2 po pour les ancrages rouges; N° 6 – 1 1/2 po pour les ancrages jaunes)

Installation du système de montage UWP

1. Avant le démarrage, éteindre l'alimentation au niveau du disjoncteur du circuit ou de l'interrupteur. Ouvrir l'emballage du UWP. Voir la Figure 1.
2. Placer le UWP sur le mur. Le mettre à niveau et marquer les positions des trous. Voir la Figure 2.

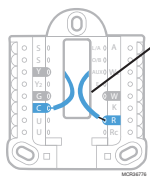
Percez des trous aux emplacements marqués, puis taper légèrement sur les chevilles murales fournies dans le mur à l'aide d'un marteau.

- Si votre boîtier est accompagné d'ancrages rouges, percez des trous de 7/32 po (5.6 mm).
 - Si votre boîtier est accompagné d'ancrages jaunes, percez des trous de 3/16 po (4.76 mm).
3. Ouvrir le couvercle et faire passer les fils par l'ouverture réservée aux fils du UWP. Voir la Figure 3.
 4. Placer le UWP sur les chevilles murales. Insérer et serrer les vis de montage fournies avec le UWP. Ne pas trop serrer. Serrer jusqu'à ce que le UWP ne bouge plus. Fermer le couvercle. Voir la Figure 4.

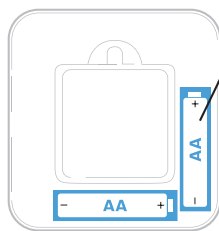


Utiliser les 3 vis fournies (N° 8 – 1 1/2 po pour les ancrages rouges; N° 6 – 1 1/2 po pour les ancrages jaunes)

Options d'alimentation



Insérer les fils **R** et **C** dans les bornes désignées pour l'alimentation principale en courant alternatif (la borne **C** est facultative si les piles sont installées, mais elle est recommandée). Retirer les fils en appuyant sur les languettes de la borne.



Insérer les piles **AA** pour assurer l'alimentation principale ou de secours.

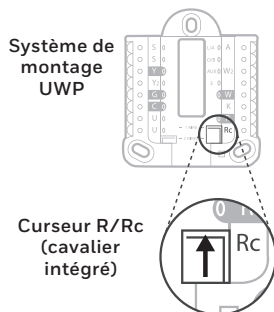
MCR36114

Réglages des curseurs

Régler le curseur R.

- Utiliser le commutateur de liaison intégré (**curseur R**) pour différencier entre un l'autre système de transformateur.
- S'il n'y a qu'un seul fil R et s'il est connecté à la borne **R**, **Rc** ou **RH**, régler le curseur sur la position haute (**1 fil**).
- S'il y a un fil connecté à la borne **R** et un fil connecté à la borne **Rc**, régler le curseur sur la position basse (**2 fils**).

REMARQUE : Les curseurs des bornes U doivent être laissés en position pour les modèles T4 Pro.

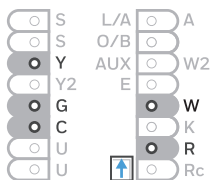


Système de montage **UWP**

Curseur R/Rc (cavalier intégré)

Caractéristiques du terminal de câblage UWP

S	Ne peut être utilisé pour le câblage du thermostat T4.	L/A - A	Ne peut être utilisé pour le câblage du thermostat T4.
S		O/B	Vanne de commutation
Y	Contacteur de compresseur (étage 1)	AUX - W2	Chauffage auxiliaire (TH4210U seulement)
Y2	Ne peut être utilisé pour le câblage du thermostat T4.	E	Chauffage d'urgence (TH4210U seulement)
G	Ventilateur	W	Chauffage (étage 1)
C	24 V c.a. commune. Pour les systèmes à deux transformateurs, utiliser le fil commun du transformateur de refroidissement.	K	Brancher à K sur le module économiseur de fils.**
U	Ne peut être utilisé pour le câblage du thermostat T4.	R	Alimentation 24 V c.a. du transformateur de chauffage*
U		Rc	Alimentation 24 V c.a. du transformateur de refroidissement*



MCR36094

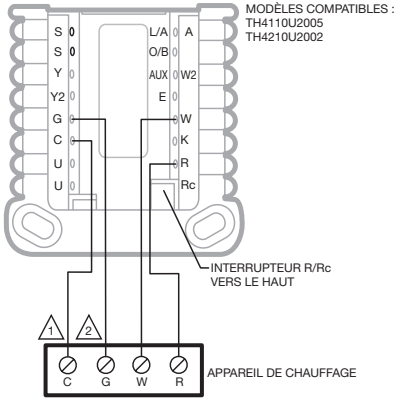
Remarque : Les bornes ne peuvent pas toutes être utilisées, selon le type de système qui est connecté. Les bornes les plus couramment utilisées sont ombrées.

* La borne peut être reliée à l'aide du curseur. Voir « Réglage des curseurs » ci-dessus.

** Le module économiseur de fils THP9045A est utilisé sur les systèmes de chauffage/refroidissement lorsque vous n'avez que quatre fils sur le thermostat et qu'un cinquième fil est nécessaire comme fil commun. Utilisez la borne K à la place des bornes Y et G sur les systèmes conventionnels ou à thermopompe pour assurer le contrôle du ventilateur et du compresseur par un fil unique – le fil non utilisé devient alors le fil commun. Voir les instructions du THP9045 pour plus d'informations.

Schémas de câblage

**Chauffage à 1 phase seulement :
Appareil de chauffage au gaz ou au mazout**

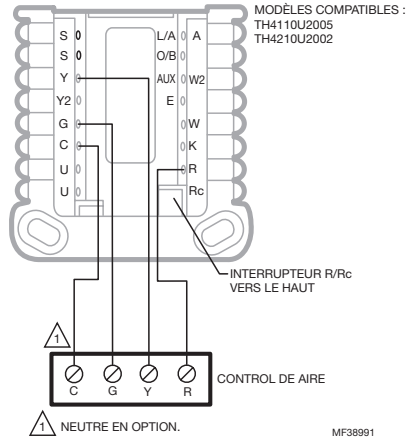


⚠ NEUTRE EN OPTION.

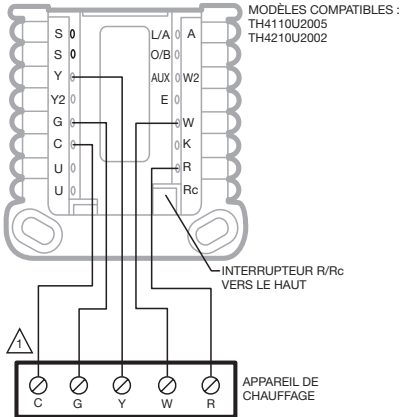
⚠ G UTILISÉ POUR LA COMMANDE INDÉPENDANTE DU VENTILATEUR UNIQUEMENT. LA PLUPART DES SYSTÈMES À AIR PULSÉ À CHAUFFAGE SEUL, À GAZ OU À MAZOUT N'UTILISENT PAS DE FIL DE VENTILATEUR (G).

MF38990

1 phase de climatisation seulement



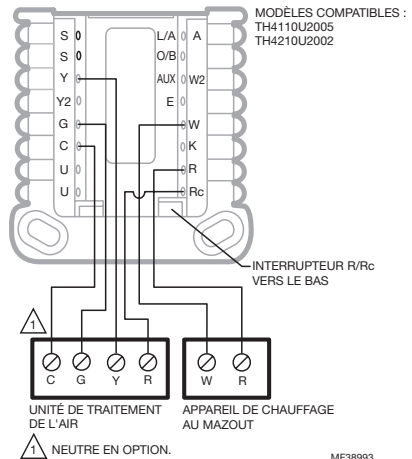
**1H/1C : Appareil de chauffage au gaz
+ Climatisation**



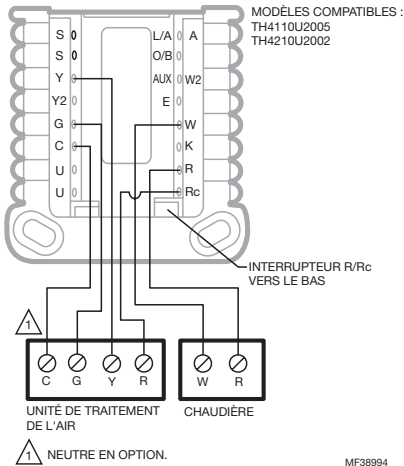
⚠ NEUTRE EN OPTION.

MF38992

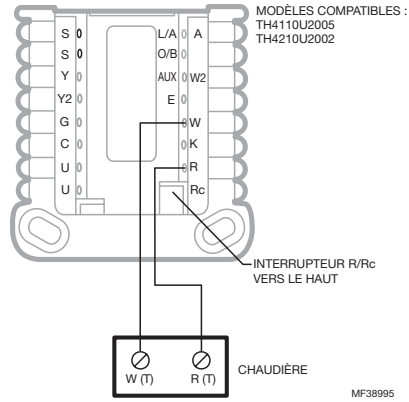
**2 systèmes de transformateur,
1H/1C : Appareil de chauffage au
mazout + Climatisation**



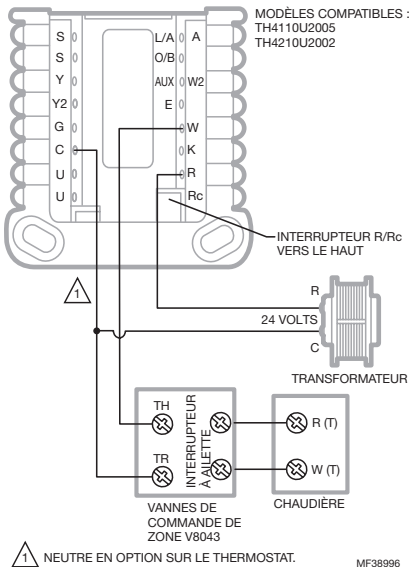
2 systèmes à transformateur, chauffage à eau chaude avec climatisation (ou serpentín à eau chaude)



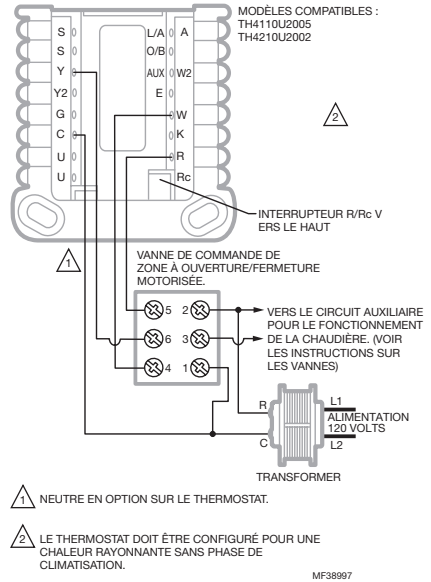
Chaudière à eau chaude, chauffage seulement



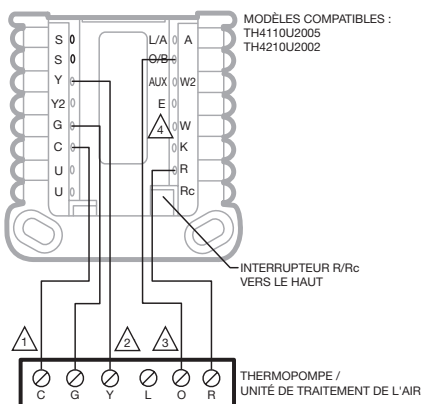
Chauffage de l'eau chaude avec ouverture motorisée de la vanne de zone



Chauffage à eau chaude avec ouverture/fermeture motorisée, vanne de zone série 20



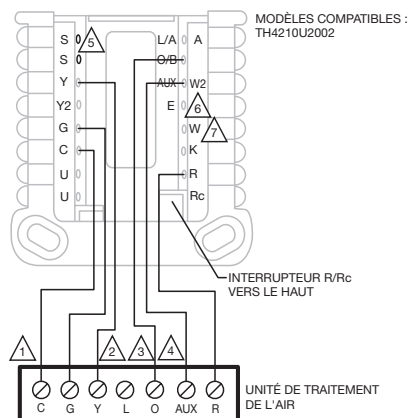
1H/1C : Thermopompe sans chauffage auxiliaire



- 1 NEUTRE EN OPTION.
- 2 CONNEXION L (DÉFAUT POMPE À CHALEUR) NON DISPONIBLE SUR LES MODÈLES T1 ET T4. LE TH6210U2001 PEUT ÊTRE UTILISÉ SI UNE INDICATION DE DÉFAUT SUR LE THERMOSTAT EST NÉCESSAIRE.
- 3 CERTAINES POMPES À CHALEUR UTILISENT B PLUTÔT QUE O POUR LA VANNE D'INVERSION.
- 4 **NE BRANCHEZ AUCUN FIL SUR W POUR LES APPLICATIONS DE POMPE À CHALEUR! CELA PEUT PROVOQUER UNE FUITE DE CHALEUR CONTINUE.**

MF38998

2H/1C : Pompe à chaleur avec chauffage auxiliaire électrique

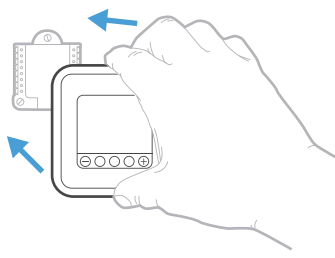


- 1 NEUTRE EN OPTION.
- 2 CONNEXION L (DÉFAUT POMPE À CHALEUR) NON DISPONIBLE SUR LES MODÈLES T1 ET T4. LE TH6210U2001 PEUT ÊTRE UTILISÉ SI UNE INDICATION DE DÉFAUT SUR LE THERMOSTAT EST NÉCESSAIRE.
- 3 CERTAINES POMPES À CHALEUR UTILISENT B PLUTÔT QUE O POUR LA VANNE D'INVERSION.
- 4 LA BORNE DE CHAUFFAGE AUXILIAIRE N'EST PAS ÉTIQUETÉE DE LA MÊME MANIÈRE SUR TOUS LES MODÈLES DE POMPES À CHALEUR. CONSULTEZ LE GUIDE DE CÂBLAGE DE LA THERMOPOMPE.
- 5 SI LE VERROUILLAGE DU CHAUFFAGE AUXILIAIRE EN CAS DE TEMPÉRATURE EXTERIEURE ÉLEVÉE EST NÉCESSAIRE, UTILISEZ LE THERMOSTAT TH6220U2000 ET LE CAPTEUR EXTERIEUR C7089U1006. LE TH4210U2002 NE PEUT PAS LE FAIRE.
- 6 LA PLUPART DES POMPES À CHALEUR PARTAGENT LE MÊME JEU DE BANDES CHAUFFANTES POUR LA CHALEUR AUX ET EM. DANS CES CAS, E N'EST PAS UTILISÉ. SI VOUS DISPOSEZ DE SOURCES DE CHALEUR SÉPARÉES POUR LE CHAUFFAGE AUX ET EM, LE TH4210U2002 NE PEUT PAS ÊTRE CONFIGURÉ POUR EFFECTUER CETTE OPÉRATION. LE MODÈLE TH6320U2008 PEUT ÊTRE CONFIGURÉ POUR UNE ALIMENTATION SÉPARÉE AUX ET E. DANS CE CAS, CONNECTEZ UN ENSEMBLE DE BANDES À E POUR ÊTRE ALIMENTÉ EN CHALEUR EM ET UN AUTRE ENSEMBLE DE BANDES À AUX POUR ÊTRE ALIMENTÉ EN CHALEUR AUX.
- 7 **NE BRANCHEZ AUCUN FIL SUR W POUR LES APPLICATIONS DE POMPE À CHALEUR! CELA PEUT PROVOQUER UNE FUITE DE CHALEUR CONTINUE.**

MF39002

Montage du thermostat

1. Repousser le fil en excès dans l'ouverture du mur.
2. Fermer le couvercle du UWP. Elle doit rester fermée sans renflement.
3. Aligner l'UWP sur le thermostat, et appuyer doucement jusqu'à ce que le thermostat s'enclenche en place.
4. Mettre l'alimentation en marche au niveau du disjoncteur du circuit ou de l'interrupteur.



MCR36116

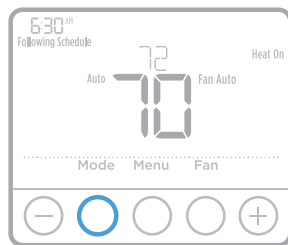
Réglages pour le fonctionnement du système

- 1 Appuyer sur le bouton **Mode** pour passer au prochain mode de système disponible.
- 2 Faire défiler les modes jusqu'à ce que le mode de système requis soit affiché, et le laisser s'activer.

REMARQUE : Les modes de système disponibles varient en fonction du modèle et des paramètres du système.

Modes **Système** :

- **Auto** : Le thermostat choisit le chauffage ou le refroidissement selon le besoin.
- **Heat (Chauffage)** : Le thermostat commande uniquement le système de chauffage.
- **Cool (Refroidissement)** : Le thermostat commande uniquement le système de refroidissement.
- **Em Heat** (TH4210U seulement) (Chauffage d'urgence) (seulement pour les thermopompes avec chauffage auxiliaire) : Le thermostat contrôle le chauffage auxiliaire. Le compresseur n'est pas utilisé.
- **Off (Arrêt)** : Le système de chauffage et de refroidissement est arrêté. Le ventilateur continue de fonctionner si est réglé sur Marche.



MCR36517A

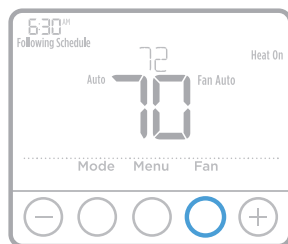
Réglages pour le fonctionnement du ventilateur

- 1 Appuyer sur le bouton **Fan** (Ventilateur) pour passer au prochain mode de ventilateur disponible.
- 2 Faire défiler les modes jusqu'à ce que le mode de ventilateur requis soit affiché, et le laisser s'activer.

REMARQUE : Les modes de ventilateur varient en fonction des paramètres du système.

Modes **Ventilateur** :

- **Auto** : Le ventilateur fonctionne uniquement lorsque le système de chauffage ou de refroidissement est en marche.
- **On (Marche)** : Le ventilateur est toujours activé.

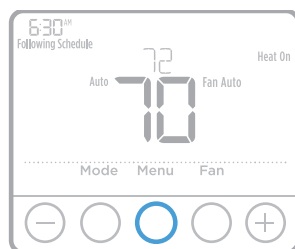


MCR36518A

Réglage de l'heure et de la date

Heure

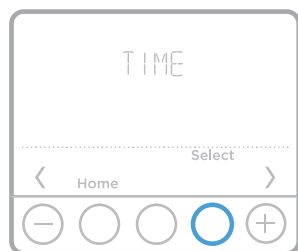
- 1 Appuyez sur **Menu**, puis appuyez sur \oplus jusqu'à ce que vous arriviez à l'option **TIME** (Date et heure). Appuyez sur **Select** (Sélectionner).
- 2 Appuyez sur \oplus ou \ominus pour choisir entre 12 ou 24 heures. Appuyez sur **Select** (Sélectionner).
- 3 Appuyez sur \oplus ou \ominus pour régler l'heure. Appuyez sur **Select** (Sélectionner).
- 4 Appuyez sur \oplus ou \ominus pour régler les minutes. Appuyez sur **Select** (Sélectionner) pour quitter le menu Time (Heure).



MCR36519A

Date

- 1 Si vous venez de régler l'heure, passez à l'étape 2. Si l'écran d'accueil est affiché, appuyez sur le bouton **Menu** de votre thermostat.
- 2 Appuyez sur \oplus ou \ominus pour aller à **DATE**. Appuyez sur **Select** (Sélectionner).
- 3 Appuyez sur \oplus ou \ominus pour régler l'année. Appuyez sur **Select** (Sélectionner).
- 4 Appuyez sur \oplus ou \ominus pour régler le mois. Appuyez sur **Select** (Sélectionner).
- 5 Appuyez sur \oplus ou \ominus pour modifier la date. Appuyez sur **Select** (Sélectionner) pour enregistrer et quitter le menu Date.



MCR36523

Programmation

Vous pouvez programmer quatre périodes de temps par jour, avec des réglages différents pour les jours de la semaine et les fins de semaine. Nous recommandons les paramètres prédéfinis (illustrés dans le tableau ci-dessous), car ils permettent de réduire vos frais de chauffage/refroidissement.

Wake (Réveil) - Réglez à l'heure du lever et à la température voulue le matin, jusqu'à votre départ.

Away (Absent) - Réglez à l'heure de départ et à la température voulue durant l'absence (en règle générale à un niveau permettant d'économiser de l'énergie).

Home (À la maison) - Réglez à l'heure du retour et à la température voulue durant la soirée, jusqu'au coucher.

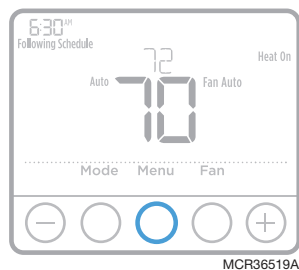
Sleep (Sommeil) - Réglez à l'heure du coucher et à la température voulue durant le sommeil (en règle générale à un niveau d'économie d'énergie).

REMARQUE : Pour déroger à l'un des programmes ci-dessus de manière temporaire ou permanente, consultez la page 4.

	Heat Chauffage	Cool Refroidissement
Wake (Réveil) (6 h)	70°	78°
Away (Absent) (8 h)	62°	85°
Home (À la maison) (18 h)	70°	78°
Sleep (Coucher) (22 h)	62°	82°

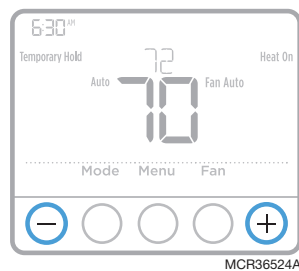
Pour régler le programme

- 1 Appuyez sur **Menu** sur le thermostat.
- 2 **PROG** s'affiche. Appuyez sur **Select**. **ON** s'affiche. (Si vous ne voulez pas utiliser un programme, appuyez sur \oplus ou \ominus pour afficher **OFF**. Appuyez sur **Select**.) Appuyez sur **Select**.
- 3 Appuyez sur \oplus ou \ominus pour sélectionner le jour ou le groupe de jours à modifier. Appuyez sur **Select**.
- 4 Appuyez sur \oplus ou \ominus pour sélectionner un programme à modifier (Réveil, Absent, À la maison et Coucher). Appuyez sur **Select**.
- 5 **ON** s'affiche. Appuyez sur **Select** pour conserver la période du programme. Ou appuyez sur \oplus puis sur **Select** pour désactiver la période du programme.
- 6 L'heure commence à clignoter. Appuyez sur \oplus ou \ominus pour régler l'heure de début de la période. Appuyez sur **Select**.
- 7 La température commence à clignoter. Appuyez sur \oplus ou \ominus pour régler la température de consigne du chauffage. Appuyez sur **Select**. Appuyez sur \oplus ou \ominus pour régler la température de consigne du refroidissement. Appuyez sur **Select**.
- 8 Répétez les étapes 4 à 7 pour les périodes restantes du programme.
- 9 Appuyez sur **Home** une fois terminé et pour revenir à l'écran d'accueil.
- 10 Le programme peut être réglé et **ACTIVÉ** ou **DÉSACTIVÉ** en revenant au **Menu** et en suivant les étapes indiquées ci-dessus.



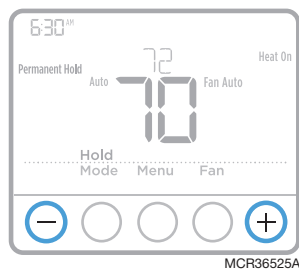
Dérogation (temporaire) au programme

- 1 Appuyez sur \oplus ou \ominus pour régler la température.
- 2 Une fois la température de consigne souhaitée obtenue, aucune autre action n'est requise. La nouvelle température de consigne est utilisée jusqu'à ce que la prochaine période commence. Pour plus d'informations sur les périodes du programme, consultez la section Programmation à la page 3.
- 3 Pour annuler le maintien temporaire, appuyez sur \oplus ou \ominus puis sur **Cancel** (Annuler).



Dérogation (permanente) au programme

- 1 Appuyez sur \oplus ou \ominus pour régler la température.
- 2 **TEMPORARY HOLD** (Maintien temporaire) s'affiche et la température de consigne clignote. Pendant le clignotement, appuyez sur le bouton de mode **Hold** (Maintien) pour passer au maintien permanent.
- 3 Pour annuler le maintien permanent, appuyez sur \oplus ou \ominus puis sur **Cancel** (Annuler).



Réglage du verrouillage du clavier

- 1 Appuyez sur **Menu** sur le thermostat.
- 2 Appuyez sur **+** ou **-** pour aller à **LOCK** (Verrouillage). Appuyez sur **Select**.
- 3 Appuyez **+** ou **-** pour se rendre à **OFF** (arrêt), **PART** (partiel), ou **ON** (marche), et puis appuyez sur **Select** (sélectionner).
OFF (arrêt) : Déverrouillé et accès total permis.
PART (partiel) : Verrouillage partiel, ne permet qu'à la température d'être modifiée. **ON** (marche) : Aucun accès permis.
- 4 Pour déverrouiller le clavier, appuyez sur le bouton **central** et entrer le mot de passe « 1234 ». Pour entrer le mot de passe, appuyez **+** ou **-** pour changer le premier chiffre du numéro. Ensuite, appuyez sur **Select** (Sélectionner). Répéter ce processus pour entrer le deuxième, troisième et quatrième chiffres du numéro. Lorsque les quatre chiffres ont été entrés, appuyez de nouveau sur **Select** (Sélectionner).
- 5 Ceci permet de déverrouiller le clavier.
- 6 Si le code n'est pas correct, l'écran affiche les lignes « -- » qui clignotent.
- 7 Appuyez sur **Back** (Retour) pour revenir d'une étape et entrer le chiffre correct, puis appuyez sur **Select**.

REMARQUE : Sur certains modèles, le verrouillage du clavier n'est pas disponible dans le menu, si l'installateur n'a pas activé le verrouillage lors de la configuration de l'installateur.

Réglage de la luminosité du rétroéclairage de veille de l'écran

- 1 Appuyez sur l'option **Menu** du thermostat.
- 2 Appuyez sur **+** ou **-** jusqu'à ce que vous arriviez à l'option **LITE** (luminosité). Appuyez sur **Select** (Sélectionner).
- 3 Le niveau actuel de luminosité est affiché (1 à 5).
- 4 Appuyez sur **+** ou **-** pour modifier la luminosité du rétroéclairage.
- 5 Appuyez sur **Select** (Sélectionner) pour sauvegarder et quitter le menu **LITE** (luminosité).

REMARQUE : Le rétroéclairage ne fonctionne que si le câble « C » (neutre) est branché.

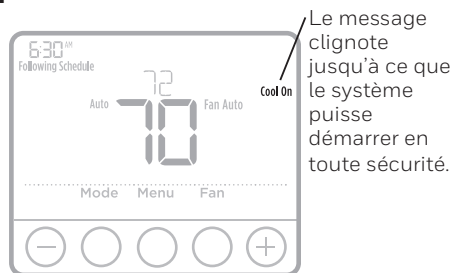
Système de récupération intelligent adaptatif

Au fil du temps, le thermostat T4 Pro apprend à reconnaître le temps requis par le système pour atteindre la température désirée. Il active préalablement le chauffage ou le refroidissement pour garantir une température confortable au moment voulu.

Protection intégrée du compresseur

Des dommages peuvent survenir si le compresseur redémarre trop rapidement après une interruption. Cette fonction contraint le compresseur à attendre quelques minutes avant de redémarrer.

Durant l'attente, le message **Cool On** (ou **Heat On** dans le cas d'une thermopompe) clignote. Une fois le délai de sécurité écoulé, le message cesse de clignoter et le compresseur démarre.



Remplacement des piles

Les piles sont facultatives (pour fournir une alimentation de secours) si le thermostat a été câblé sur le courant secteur lors de l'installation. Si ce n'est pas le cas, les piles sont requises.

Installez immédiatement des piles neuves lorsque l'icône indiquant que la charge des piles est faible s'affiche. Cette icône s'affiche environ deux mois avant que les piles ne soient complètement épuisées.

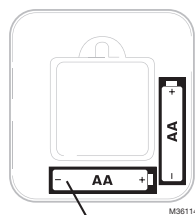
Même si l'icône ne s'affiche pas, remplacez les piles au moins une fois par an ou avant de quitter la maison pour une période de plus d'un mois.

Si les piles sont insérées dans un intervalle de 2 minutes, il ne sera pas nécessaire de régler à nouveau l'heure et le jour. Tous les autres réglages sont conservés en mémoire en permanence et les piles ne sont pas requises.

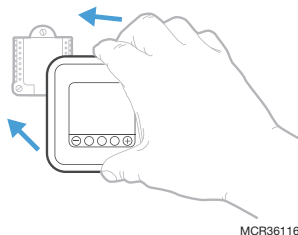
REMARQUE : Il est recommandé de remplacer les piles par des piles alcalines.




Lorsque l'avertissement de charge faible des piles s'affiche, appuyez délicatement sur le thermostat pour le retirer avec précaution de son support mural.





Insérez les piles alcalines AA neuves et réinstallez le thermostat.

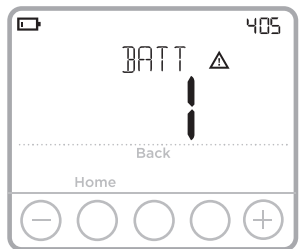
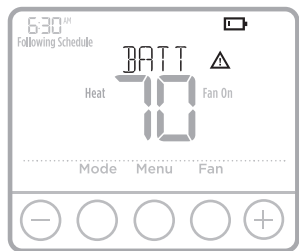


Notifications



En cas d'alerte ou de rappel, l'icône d'alerte  s'affiche sur l'écran d'accueil.

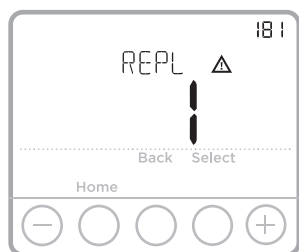
Avertissement de faible charge des piles

- 1 Les piles doivent être remplacées lorsque **BATT**, l'icône d'alerte des piles  et l'icône des piles s'affichent sur l'écran d'accueil.
- 2 Lorsque la charge des piles est très faible, le rétroéclairage du thermostat est désactiver pour économiser la charge des piles.
- 3 Lorsque la charge des piles est extrêmement faible, seuls **BATT**, l'icône d'alerte des piles  et l'icône des piles sont affichés.




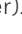
Rappel de remplacement du filtre à air

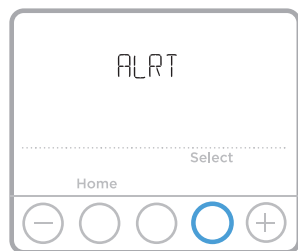
- 1 L'icône d'alerte  s'affiche sur l'écran d'accueil.
- 2 Appuyez sur **Menu**, puis appuyez sur  jusqu'à ce que l'affichage montre **ALRT** (alerte).
- 3 Appuyer sur **Select** (Sélectionner), pour afficher l'/les alerte(s) présente(nt).
- 4 Le message **REPL** (Remplacer le filtre à air) s'affiche.
- 5 Le rappel peut être mis en pause ou effacé. Resideo recommande de remplacer le filtre à air avant d'effacer le rappel.
- 6 Pour mettre en pause, appuyez sur **Select**. Le mot **SNZE** (Pause) s'affiche.
- 7 Appuyez une fois de plus sur **Select** pour mettre le rappel en pause pendant 7 jours.
- 8 Pour l'effacer, appuyez sur **Select**, puis sur  pour aller à **CLER** (Effacer).
- 9 Appuyez sur **Select** pour effacer le rappel de remplacement du filtre à air.



M36532

Mise en pause et effacement des alertes et des rappels*

- 1 Appuyez sur **Menu**, puis appuyez sur  jusqu'à ce que l'affichage montre **ALRT** (alerte).
- 2 Appuyer sur **Select** (Sélectionner), pour afficher l'/les alerte(s) présente(nt).
- 3 Le mot **SNZE** (Pause) s'affiche.
- 4 Appuyez une fois de plus sur **Select** pour mettre le rappel en pause pendant 7 jours.
- 5 Pour effacer l'alerte, appuyez sur **Select**, puis sur  pour aller à **CLER** (Effacer).
- 6 Appuyez sur **Select** pour effacer le rappel.



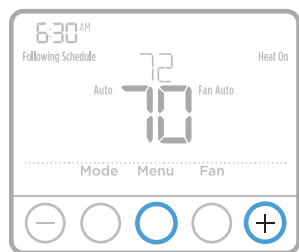
MCR36533

* Certaines alertes ne peuvent ni être mises en pause ni effacées. Veuillez contacter votre professionnel en chauffage et refroidissement si cela se produit. Le système de chauffage et de refroidissement nécessite peut-être d'être réparé.

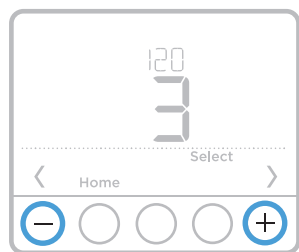
Configuration de l'installateur (ISU)

- 1 Appuyer sur **CENTER** (Centre) et sur les boutons **+** pendant 3 secondes environ pour accéder au menu des réglages avancés.
- 2 Appuyer sur **Select** (Sélectionner) pour accéder à **ISU** (Configuration de l'installateur).
- 3 Appuyer sur **Select** (Sélectionner) pour faire défiler les options de configuration du menu.
- 4 Appuyer sur **+** ou **-** pour changer les valeurs ou faire une sélection à partir des options disponibles.
- 5 Appuyer sur **Select** (Sélectionner) et confirmer les réglages ou appuyer sur **Back** (Retour) pour ignorer les modifications et revenir à l'écran du menu ISU (Configuration utilisateur) pour continuer à modifier une autre option de configuration.
- 6 Pour terminer le processus de configuration et enregistrer les paramètres, appuyer sur **Home** (Accueil) et revenir à l'écran d'accueil.

REMARQUE : Une liste complète de tous les paramètres de configuration et options de l'installateur (ISU) commence ci-dessous et continue jusqu'à la page 16.



MCR36535



MCR36520

Options de configuration avancées (ISU)

REMARQUE : En fonction des paramètres du système, ces options peuvent ne pas être toutes disponibles.

N° ISU	Nom ISU	Options ISU (réglage d'usine en gras)
120	Options de programmation	0 = Non programmable 2 = 5-2 programmable 3 = 5-1-1 programmable 4 = 7 jours programmable <i>Remarque : Le programme par défaut LUN-VEN, SAM-DIM peut être modifié ici. Pour modifier les périodes d'une journée ou les points de consigne de température, ou pour activer/désactiver le programme, touchez MENU et allez à SCHEDULE (Programme).</i>
125	Échelle d'indication de température	0 = Fahrenheit 1 = Celsius
200	Type de système de chauffage	1 = Chauffage à air pulsé conventionnel 2 = Thermopompe 3 = Chauffage rayonnant 5 = Aucun (refroidissement uniquement) <i>Remarque : Cette option sélectionne le type de système de base contrôlé par le thermostat.</i>

Options de configuration avancées (ISU) (suite)

N° ISU	Nom ISU	Options ISU (réglage d'usine en gras)	
205	Type d'équipement de chauffage	<p><i>Chauffage à air pulsé conventionnel :</i> 1 = Air pulsé à gaz efficacité standard 2 = Air pulsé à gaz haute efficacité 3 = Air pulsé au mazout 4 = Air pulsé électrique 5 = Ventilconvecteur à eau chaude</p> <p><i>Thermopompe :</i> 7 = Thermopompe air-air 8 = Thermopompe géothermique</p> <p><i>Chauffage rayonnant :</i> 9 = Chauffage rayonnant à eau chaude 12 = Vapeur</p> <p><i>Remarque : Cette option sélectionne le type d'équipement contrôlé par le thermostat. Remarque : Cette fonction ne s'affiche PAS si la fonction 200 est réglée sur Refroidissement uniquement.</i></p>	
218	Robinet inverseur O/B	<p>0 = O (O/B sur refroidissement) 1 = B (O/B sur chauffage)</p> <p><i>Remarque : Cette option ne s'affiche que si la thermopompe est configurée. Sélectionnez si la vanne d'inversion O/B doit s'activer lors du chauffage ou du refroidissement.</i></p>	
220	Étages de refroidissement / Étages du compresseur 200=Conv / 200=HP	<p>0, 1</p> <p><i>Remarque : Sélectionnez le nombre d'étages de refroidissement ou de compresseur contrôlés par le thermostat. Réglez la valeur sur 0 s'il n'y a pas d'étage de refroidissement/compresseur.</i></p>	
221	Phases de chauffage/Phases de chauffage de secours	<p>Étages de chauffage : 1 Étages de chauffage de secours : 0, 1</p> <p><i>Remarque : Sélectionnez le nombre d'étages de chauffage ou Aux/E contrôlés par le thermostat.</i></p>	
230	Réglage du ventilateur pour le chauffage	<p>1 = L'équipement contrôle le ventilateur 2 = Le thermostat contrôle le ventilateur</p> <p><i>Remarque : Cette configuration installateur (ISU) ne s'affiche que si la configuration ISU 205 est réglée à air pulsé électrique ou ventilconvecteur.</i></p>	
300	Commutation du système	<p>0 = Manuelle 1 = Automatique</p>	
303	Différentiel de commutation automatique	<p>0 °F à 5 °F 0,0 °C à 2,5 °C</p> <p><i>Remarque : Le différentiel n'est PAS la zone morte. Le différentiel représente la valeur supérieure au point de consigne avant le passage au mode sélectionné. Le réglage de la zone morte n'est pas une option. Un algorithme avancé définit la zone morte à -17 °C. Ce réglage est supérieur aux thermostats précédents.</i></p>	
340	Variation de charge du chauffage de secours (TH4210U seulement)	<p>0 = Confort 2 = 2 °F 3 = 3 °F 4 = 4 °F 5 = 5 °F 6 = 6 °F 7 = 7 °F 8 = 8 °F</p>	<p>9 = 9 °F 10 = 10 °F 11 = 11 °F 12 = 12 °F 13 = 13 °F 14 = 14 °F 15 = 15 °F</p>
350	Temporisateur d'étage supérieur de chauffage de secours (TH4210U seulement)	<p>0 = Arrêt 1 = 30 minutes 2 = 45 minutes 3 = 60 minutes 4 = 75 minutes</p>	<p>5 = 90 minutes 6 = 2 heures 7 = 3 heures 8 = 4 heures 10 = 5 heures</p>

Options de configuration avancées (ISU) (suite)

N° ISU	Nom ISU	Options ISU (réglage d'usine en gras)	
365	Cycle du compresseur (étage 1)	<p>1 - 6</p> <p>Remarque : Cette configuration installateur (ISU) ne s'affiche que lorsque la phase de refroidissement ou la phase du compresseur est réglée à la phase 1. Le nombre de cycles limite le nombre de cycles qu'un système pourra effectuer sur une période de 1 h à une charge de 50 %. Par exemple, lorsque réglé à 3 cycles par heure (CPH) à une charge de 50 %, le système n'effectuera pas plus de 3 cycles par heure (10 minutes allumé, 10 minutes éteint). Le système effectue moins de cycles lorsque la charge est inférieure ou supérieure à 50 %.</p>	
370	Cycle de chauffage (étage 1)	<p>1 - 12</p> <p>Remarque : Cette configuration installateur (ISU) ne s'affiche que lorsque la phase de chauffage est réglée à la phase 1. Le nombre de cycles limite le nombre de cycles qu'un système pourra effectuer sur une période de 1 h à une charge de 50 %. Par exemple, lorsque réglé à 3 cycles par heure (CPH) à une charge de 50 %, le système n'effectuera pas plus de 3 cycles par heure (10 minutes allumé, 10 minutes éteint). Le système effectue moins de cycles lorsque la charge est inférieure ou supérieure à 50 %. Le réglage du nombre de cycles recommandé (par défaut) est inscrit ci-dessous pour chacun des types d'équipement de chauffage : air pulsé à gaz, efficacité standard = 5 CPH; air pulsé à gaz, haute efficacité = 3 CPH; air pulsé au mazout = 5 CPH; air pulsé électrique = 9 CPH; ventilo-convecteur = 3 CPH; chauffage rayonnant à eau chaude = 3 CPH; vapeur = 1 CPH.</p>	
375	Nombre de cycle de chauffage du chauffage auxiliaire	1 - 12	
387	Protection du compresseur	<p>0 = Arrêt</p> <p>1 - 5 minutes</p> <p>Remarque : Le thermostat est équipé d'une protection du compresseur (minuterie de temps d'arrêt minimum) qui empêche le redémarrage trop rapide du compresseur après un arrêt. La minuterie de temps d'arrêt minimum s'active après l'arrêt du compresseur. Si un appel est reçu pendant que la minuterie de temps d'arrêt minimum est activée, le message « Attendre » s'affichera à l'écran du thermostat. Cette configuration installateur (ISU) s'affiche lorsque la configuration ISU 220 est au moins réglée à la phase 1.</p>	
425	Système de récupération intelligent adaptatif	<p>0 = Non</p> <p>1 = Oui</p> <p>Remarque : Le système de récupération intelligent adaptatif (AIR) est un paramètre de confort. L'équipement de chauffage ou de refroidissement s'activera plus tôt, garantissant que la température intérieure correspond à la valeur de consigne à l'heure prévue.</p>	
430	Point de consigne minimum pour le refroidissement	<p>50 °F à 99 °F (50 °F)</p> <p>10,0 °C à 37,0 °C (10,0 °C)</p> <p>Remarque : La température de refroidissement ne peut pas être réglée en dessous de ce niveau.</p>	
431	Point de consigne maximum pour le chauffage	<p>40 °F à 90 °F (90 °F)</p> <p>4,5 °C à 32,0 °C (32 °C)</p> <p>Remarque : La température de chauffage ne peut pas être réglée au-dessus de ce niveau.</p>	
435	Verrouillage du clavier	<p>Réglage sur les modèles T4 d'origine :</p> <p>0 = Aucun</p> <p>1 = Partiel</p> <p>2 = Total</p>	<p>Réglage sur les modèles T4 actuels :</p> <p>0 = Désactivé</p> <p>1 = Désactivé</p>
		<p>Remarque : En raison des commentaires des clients, cette fonctionnalité a été modifiée. Sur le logiciel d'origine, vous pouvez verrouiller le thermostat depuis l'ISU, comme vous pouvez le faire à partir du verrouillage du menu. Pour les versions ultérieures, ce paramètre permet à l'entrepreneur d'activer ou de désactiver la fonction de verrouillage. Lorsqu'il est désactivé, il n'y a pas d'option de verrouillage dans le menu. Le code de verrouillage est 1234.</p>	

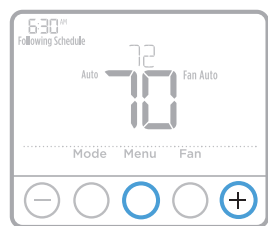
Options de configuration avancées (ISU) (suite)

N° ISU	Nom ISU	Options ISU (réglage d'usine en gras)										
702	Nombre de filtres à air	0 - 2 <i>Remarque : Cette configuration installateur indique le nombre de filtres à air du système.</i>										
711	Rappel de remplacement du filtre à air 1	0 = Arrêt <table style="display: inline-table; vertical-align: top; margin-left: 20px;"> <tr><td>10 = 45 jours calendaires</td></tr> <tr><td>11 = 60 jours calendaires</td></tr> <tr><td>12 = 75 jours calendaires</td></tr> <tr><td>13 = 3 mois calendaires</td></tr> <tr><td>14 = 4 mois calendaires</td></tr> <tr><td>15 = 5 mois calendaires</td></tr> <tr><td>16 = 6 mois calendaires</td></tr> <tr><td>17 = 9 mois calendaires</td></tr> <tr><td>18 = 12 mois calendaires</td></tr> <tr><td>19 = 15 mois calendaires</td></tr> </table> <i>Remarque : Définissez un rappel pour vous alerter lorsqu'il faut changer le filtre à air. Choisissez un rappel basé sur le calendrier ou sur le temps de fonctionnement de l'équipement.</i>	10 = 45 jours calendaires	11 = 60 jours calendaires	12 = 75 jours calendaires	13 = 3 mois calendaires	14 = 4 mois calendaires	15 = 5 mois calendaires	16 = 6 mois calendaires	17 = 9 mois calendaires	18 = 12 mois calendaires	19 = 15 mois calendaires
10 = 45 jours calendaires												
11 = 60 jours calendaires												
12 = 75 jours calendaires												
13 = 3 mois calendaires												
14 = 4 mois calendaires												
15 = 5 mois calendaires												
16 = 6 mois calendaires												
17 = 9 mois calendaires												
18 = 12 mois calendaires												
19 = 15 mois calendaires												
712	Rappel de remplacement du filtre à air 2	0 = Arrêt <table style="display: inline-table; vertical-align: top; margin-left: 20px;"> <tr><td>10 = 45 jours calendaires</td></tr> <tr><td>11 = 60 jours calendaires</td></tr> <tr><td>12 = 75 jours calendaires</td></tr> <tr><td>13 = 3 mois calendaires</td></tr> <tr><td>14 = 4 mois calendaires</td></tr> <tr><td>15 = 5 mois calendaires</td></tr> <tr><td>16 = 6 mois calendaires</td></tr> <tr><td>17 = 9 mois calendaires</td></tr> <tr><td>18 = 12 mois calendaires</td></tr> <tr><td>19 = 15 mois calendaires</td></tr> </table> <i>Remarque : Définissez un rappel pour vous alerter lorsqu'il faut changer le filtre à air. Choisissez un rappel basé sur le calendrier ou sur le temps de fonctionnement de l'équipement.</i>	10 = 45 jours calendaires	11 = 60 jours calendaires	12 = 75 jours calendaires	13 = 3 mois calendaires	14 = 4 mois calendaires	15 = 5 mois calendaires	16 = 6 mois calendaires	17 = 9 mois calendaires	18 = 12 mois calendaires	19 = 15 mois calendaires
10 = 45 jours calendaires												
11 = 60 jours calendaires												
12 = 75 jours calendaires												
13 = 3 mois calendaires												
14 = 4 mois calendaires												
15 = 5 mois calendaires												
16 = 6 mois calendaires												
17 = 9 mois calendaires												
18 = 12 mois calendaires												
19 = 15 mois calendaires												
1400	Rétroéclairage	0 = Sur demande 1 = Continu <i>Remarque : Fil commun nécessaire pour fonctionnement continu.</i>										
1401	Luminosité du rétroéclairage	1 - 5 <i>Remarque : Uniquement affiché si le rétroéclairage continu est sélectionné.</i>										
1410	Format de l'horloge	12 / 24										
1415	Heure d'été/hiver	0 = Arrêt 1 = Marche <i>Remarque : Réglez sur Arrêt dans les régions qui ne passent pas à l'heure d'été.</i>										
1420	Décalage d'affichage de température	-3 °F à 3 °F (0) -1,5 °C à 1,5 °C (0) <i>Remarque : 0 °F – aucune différence entre la température affichée et la température réelle de la pièce. Le thermostat peut afficher une température jusqu'à 1,5 °C (3 °F) plus ou moins élevée que la température réelle.</i>										

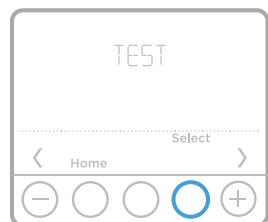
Test du système de l'installateur

Pour réaliser un test du système :

- 1 Appuyer sur **CENTER** (Centre) et sur les boutons **+** pendant 3 secondes environ pour accéder au menu des réglages avancés.
- 2 Utiliser **+** pour passer à **TEST**. Appuyer sur **Select** (Sélectionner) pour accéder au test du système.
- 3 Appuyez sur **+** pour sélectionner les modes « Heat » (chauffage), « Cool » (climatisation), « Fan » (ventilateur) et « Em » (urgence). « Heat » (chauffage) (TH4210U seulement) ou « Ver » (renseignements sur le modèle du thermostat). Appuyer sur **Select** (Sélectionner).
- 4 Appuyez sur **+** pour allumer le chauffage, la climatisation ou le ventilateur. Appuyez sur **-** pour éteindre ces fonctions.
- 5 Utiliser le bouton **Home** (Accueil) pour quitter le test du système.



MCR36521A



MCR36522

Test du système Statut du système

	0	Tous désactivés
Chauffage	1	Chauffage
	2	Chauffage (TH4210U seulement)
Refroidissement	0	Tous désactivés
	1	Refroidissement
Ventilateur	0	Ventilateur à l'arrêt
	1	Ventilateur activé
Chauffage d'urgence (TH4210U seulement)	0	D'urgence chauffage éteint
	1	D'urgence chauffage activé

Caractéristiques techniques

Plages de température

Chauffage : 40 °F à 90 °F (4,5 °C à 32,0 °C)

Refroidissement : 50 °F à 99 °F (10,0 °C à 37,0 °C)

Température de service

37 °F à 102 °F (2,8 °C à 38,9 °C)

Température d'expédition

-20 °F à 120 °F (-28,9 °C à 48,9 °C)

Humidité relative de service

5 % à 90 % (sans condensation)

Encombrement en po (mm) (H x L x P)

4-1/16 po de haut x 4-1/16 po de large x 1-5/32 po de profondeur

103,5 mm de haut x 103,5 mm de large x 29 mm de profondeur

Caractéristiques électriques

Borne	Tension (50/60 Hz)	Courant de fonctionnement
W Chauffage	20-30 V c.a.	0,02-1,0 A
W2 Chauffage auxiliaire (TH4210U seulement)	20-30 V c.a.	0,02-1,0 A
E Chauffage d'urgence (TH4210U seulement)	20-30 V c.a.	0,02-0,5 A
Y Étage de compresseur	20-30 V c.a.	0,02-1,0 A
G Ventilateur	20-30 V c.a.	0,02-0,5 A
O/B Commutation	20-30 V c.a.	0,02-0,5 A

Dépannage

En cas de difficultés avec le thermostat, essayez les suggestions suivantes. La plupart des problèmes peuvent être réglés rapidement et facilement.

- Rien n'apparaît à l'écran**
- Vérifiez le disjoncteur et réinitialisez-le si nécessaire.
 - Assurez-vous que l'interrupteur de marche-arrêt du système de chauffage et de refroidissement est sur marche.
 - Assurez-vous que la porte de l'appareil de chauffage est bien fermée.
 - Assurez-vous que des piles alcalines AA neuves sont correctement installées (voir la page 3).

- Le système de chauffage ou de refroidissement ne répond pas**
- Appuyez sur le bouton **Mode** pour régler le chauffage du système (voir la page 7). Vérifiez que le réglage de température est supérieur à la température intérieure.
 - Appuyez sur le bouton **Mode** pour régler le refroidissement du système (voir la page 7). Vérifiez que le réglage de température est inférieur à la température intérieure.
 - Vérifiez le disjoncteur et réinitialisez-le si nécessaire.
 - Assurez-vous que l'interrupteur de marche-arrêt du système de chauffage et de refroidissement est sur marche.
 - Assurez-vous que la porte de l'appareil de chauffage est bien fermée.
 - Attendez 5 minutes que le système réponde.

- Les réglages de température ne changent pas**
- Assurez-vous que les températures de chauffage et de refroidissement sont réglées dans les plages permises :
- Chauffage : 40 °F à 90 °F (4,5 °C à 32,0 °C)
 - Refroidissement: 50 °F à 99 °F (10,0 °C à 7,0 °C)

- Les mentions « Cool On » ou « Heat On » clignotent**
- La fonction de protection du compresseur est activée. Attendez 5 minutes que le système redémarre en toute sécurité, sans endommager le compresseur.

- Le chauffage auxiliaire fonctionne en mode de climatisation**
- Pour les thermopompes, assurez-vous qu'aucun fil n'est raccordé à la borne W des systèmes UWP. Voir la rubrique « Câblage des systèmes à thermopompe » à la page 4.

- La climatisation fonctionne avec une demande de chauffage.**
- Pour les thermopompes, assurez-vous qu'aucun fil n'est raccordé à la borne W des systèmes UWP. Voir la rubrique « Câblage des systèmes à thermopompe » à la page 4.



MISE EN GARDE : RISQUE DE CHOC ÉLECTRIQUE

Peut provoquer des chocs électriques ou endommager le matériel. Couper l'alimentation électrique avant d'effectuer le raccordement.



MISE EN GARDE : RISQUE DE DOMMAGES DE L'ÉQUIPEMENT

La protection du compresseur est annulée durant le test. Pour éviter d'endommager l'équipement, éviter d'actionner le compresseur trop rapidement.



MISE EN GARDE : AVIS RELATIF AU MERCURE

Si ce produit remplace un régulateur contenant du mercure dans un tube scellé, ne pas mettre l'ancien régulateur à la poubelle. Contacter le responsable de gestion des déchets local pour les instructions concernant le recyclage et l'élimination.



MISE EN GARDE : AVIS DE DÉCHETS ÉLECTRONIQUES

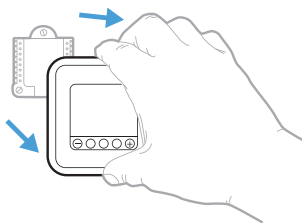
Le produit et ses piles ne doivent pas être jetés avec les autres déchets ménagers. Recherchez les centres de collecte ou de recyclage accrédités les plus proches. La mise au rebut appropriée de l'équipement en fin de vie aidera à prévenir tout effet potentiellement nuisible à l'environnement et à la santé humaine.

Déclaration de la FCC sur : <https://customer.resideo.com/en-US/support/residential/codes-and-standards/FCC15105/Pages/default.aspx>

Service à la clientèle

Pour obtenir de l'aide avec ce produit, prière de visiter **customer.resideo.com**.

Ou appeler le numéro gratuit du service à la clientèle en composant le **1-800-468-1502**.



MCR36080

Tirer pour retirer le thermostat du UWP.



www.resideo.com

Resideo Technologies Inc.
1985 Douglas Drive North, Golden Valley, MN 55422
1-800-468-1502
33-00614EFS-02 M.S. Rev. 05-22 | Imprimé aux États-Unis

© 2022 Resideo Technologies, Inc. All rights reserved.
The Honeywell Home trademark is used under license from Honeywell International, Inc. This product is manufactured by Resideo Technologies, Inc. and its affiliates. Tous droits réservés. La marque de commerce Honeywell Home est utilisée avec l'autorisation d'Honeywell International, Inc.

Ce produit est fabriqué par Resideo Technologies, Inc. et ses sociétés affiliées.

Todos los derechos reservados. La marca comercial Honeywell Home se utiliza bajo licencia de Honeywell International, Inc.

Este producto es fabricado por Resideo Technologies, Inc. y sus afiliados.



33-00614EFS-02



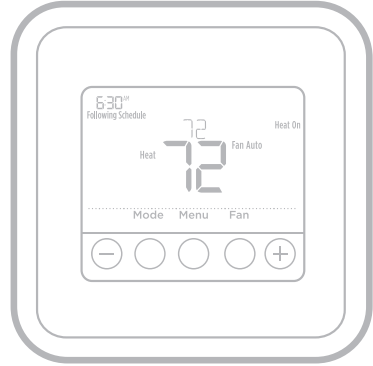
T4 Pro

Termostato programable

Información del Producto

.....
El paquete incluye:

- Termostato T4 Pro
 - Sistema de montaje UWP™
 - Placa de cubierta decorativa
 - Tornillos y tarugos
 - 2 baterías AA
 - Material de lectura sobre el termostato
-



M37844

TH4110U2005,
TH4210U2002

Instalación de la placa de cubierta opcional

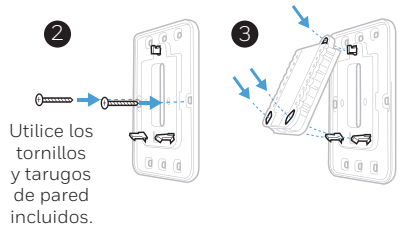
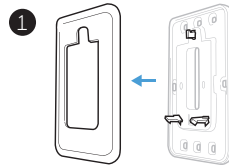
NOTA: Si no es necesaria la placa de cubierta opcional, consulte la "Instalación de sistema de montaje UWP" en la página siguiente.

Utilice la **placa de cubierta opcional** cuando necesite cubrir los huecos de pintura del viejo termostato.

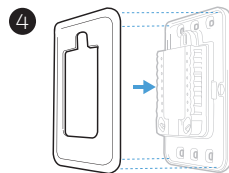
Existen diferentes placas de cubierta según la fecha de fabricación del termostato.

Instalación de la placa de cubierta cuadrada:

1. Separe la placa de cubierta de la placa de montaje.
2. Sujete la placa de montaje a la pared por medio de cualquiera de los 8 orificios para los tornillos. Inserte y ajuste los tornillos de montaje incluidos en el kit de la placa de cubierta. No ajuste demasiado. Consulte la Figura 2. Asegúrese de que la placa de montaje esté nivelada.
3. Cuelgue la UWP en el gancho superior de la placa de montaje y luego encaje la parte inferior en su lugar. Consulte la Figura 3.
4. Encaje la placa de cubierta sobre la placa de montaje. Consulte la Figura 4.



Utilice los tornillos y tarugos de pared incluidos.

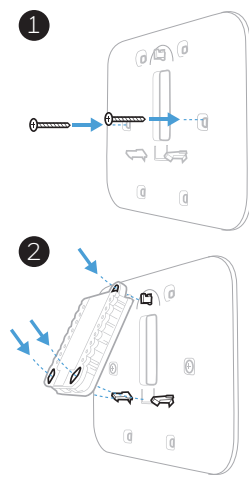


MCR38416

Instalación del sistema de montaje con UWP

Instalación de la placa de cubierta rectangular:

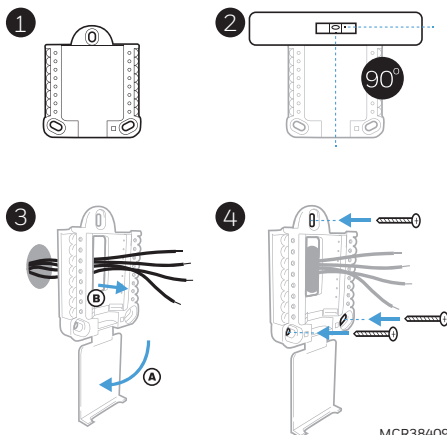
1. Monte la placa de cubierta en la pared con uno de los 6 orificios para tornillos. Inserte y ajuste los tornillos de montaje suministrados con la placa de cubierta. No ajuste demasiado. Consulte la figura 1. Asegúrese de que la placa de cubierta esté nivelada. Fije el UWP colgándolo en el gancho superior de la placa de cubierta y luego enganche la parte inferior del UWP. Consulte la figura 2.
2. Si se monta en una pared sin anclajes:
 - a. Coloque la placa de cubierta en la pared. Nivela y marque las posiciones de los orificios. Consulte la figura 1.
 - b. Perfore los orificios en los lugares marcados y luego inserte cuidadosamente los anclajes suministrados en la pared con un martillo.
 - Si su caja contiene anclajes rojos, perfore orificios de 7/32 pulgadas (5,6 mm).
 - Si su caja contiene anclajes amarillos, perfore orificios de 3/16 pulgadas (4,8 mm).
 - Utilice 2 tornillos suministrados (#8 1-1/2 pulgadas (38 mm) para anclajes rojos y #6 1-1/2 pulgadas (38 mm) para anclajes amarillos).



Use los 3 tornillos que se proporcionan (N.º 8 de 1-1/2 para los taquetes rojos y N.º 6 de 1-1/2 para los taquetes amarillos)

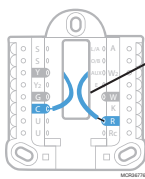
Instalación del sistema de montaje con UWP

1. Antes de comenzar, desconecte el suministro de electricidad en la caja de interruptores de circuito o el interruptor. Abra el paquete para encontrar la UWP. Consulte la Figura 1.
2. Coloque la UWP en la pared. Nivela y marque la posición de los tornillos. Consulte la Figura 2. Perfore agujeros en las posiciones marcadas y después introduzca en la pared los tarugos que se suministran golpeando ligeramente con un martillo.
 - Si su caja contiene taquetes rojos, taladre agujeros de 7/32" (5.6 mm).
 - Si su caja contiene taquetes amarillos, taladre agujeros de 3/16" (4.76 mm)..
3. Hale para abrir la tapa e inserte los cables a través del agujero de cableado en el UWP. Consulte la Figura 3.
4. Coloque la UWP sobre los tarugos de pared. Inserte y apriete los tornillos de montaje que se suministran con la UWP. No apriete demasiado. Apriete solo hasta que la UWP no se mueva. Cierre la tapa. Consulte la Figura 4.

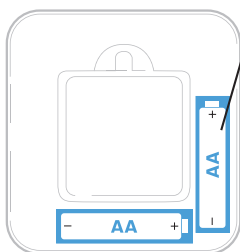


Use los 3 tornillos que se proporcionan (N.º 8 de 1-1/2 para los taquetes rojos y N.º 6 de 1-1/2 para los taquetes amarillos)

Opciones de suministro eléctrico



Inserte los cables **R** y **C** en los terminales designados para el suministro primario de energía de CA (el terminal C es opcional si se instalan baterías, pero se recomienda). Retire los cables presionando las lengüetas terminales.



Inserte las baterías AA para suministro de energía primaria o de reserva.

MCR36114

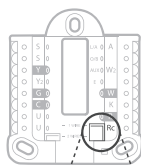
Configuración de las lengüetas de los controles deslizantes

Configure la lengüeta del control deslizante R.

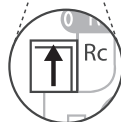
- Utilice el puente integrado (**lengüeta deslizante R**) para diferenciar entre uno o dos sistemas de transformadores.
- Si hay solo un cable **R** y está conectado al terminal **R**, **Rc** o **RH**, coloque el control deslizante en la posición superior (**1 cable**).
- Si hay solo un cable conectado al terminal **R** y un cable conectado al terminal **Rc**, configure el control deslizante en la posición inferior (**2 cables**).

NOTA: Las lengüetas de los controles deslizantes para terminales U deben dejarse en su lugar en los modelos T4 Pro.

Sistema de montaje con UWP

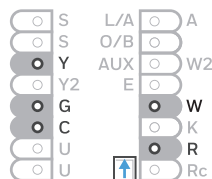


Lengüeta del control deslizante R/Rc (puente incorporado)



Designaciones de los terminales del cableado del UWP

S	No se utiliza para el termostato T4.	L/A - A	No se utiliza para el termostato T4.
S		O/B	Válvula de cambio
Y	Contactador del compresor (etapa 1)	AUX - W2	Calefacción auxiliar (únicamente TH4210U)
Y2	No se utiliza para el termostato T4.	E	Calefacción de emergencia (únicamente TH4210U)
G	Ventilador	W	Calefacción (etapa 1)
C	Común de 24 V CA. Para sistemas de 2 transformadores, utilice el cable común del transformador de refrigeración.	K	Conecte a K en el módulo de ahorro de cableado**
U		R	Alimentación de 24 V CA desde el transformador de calefacción*
U	No se utiliza para el termostato T4.	Rc	Alimentación de 24 V CA desde el transformador de refrigeración*



MCR36094

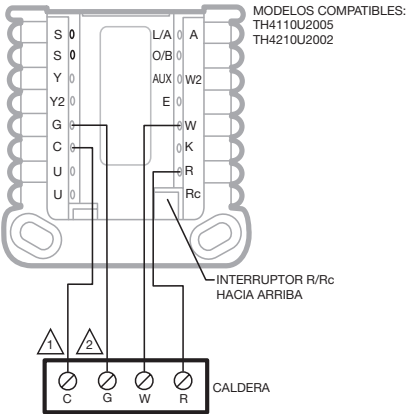
Nota: No todos los terminales se pueden utilizar, dependiendo del tipo de sistema que se está cableando. Los terminales de uso más común están sombreados.

* El terminal se puede puentear utilizando la lengüeta del control deslizante. Consulte "Configuración de las lengüetas de los controles deslizantes"

** El módulo de ahorro de cableado THP9045A se utiliza en los sistemas de calefacción/refrigeración que solo tienen cuatro cables en el termostato y cuando se necesita un quinto cable como cable común. Utilice el terminal K en lugar de los terminales Y y G en sistemas convencionales o de bomba de calor para proporcionar el control del ventilador y del compresor a través de un solo cable: el cable sin usar entonces se convierte en el cable común. Consulte las instrucciones de THP9045 para obtener más información.

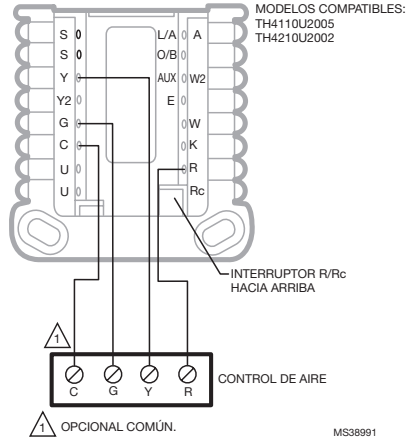
Diagramas de cableado

Solo calefacción de 1 etapa: caldera a gas o combustible

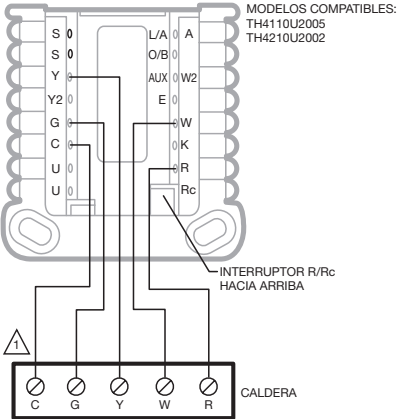


- 1 OPCIONAL COMÚN.
 - 2 G UTILIZADO SOLO PARA CONTROL DE VENTILADOR INDEPENDIENTE. LA MAYORÍA DE LOS SISTEMAS DE AIRE FORZADO DE SOLO CALOR, GAS O ACEITE NO UTILIZAN UN CABLE DE VENTILADOR (G).
- MS38990

Solo refrigeración de 1 etapa

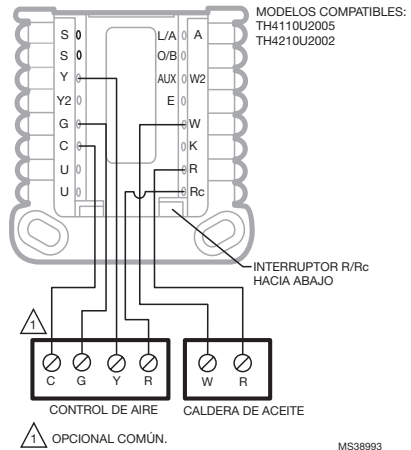


1H/1C: caldera de gas + aire acondicionado

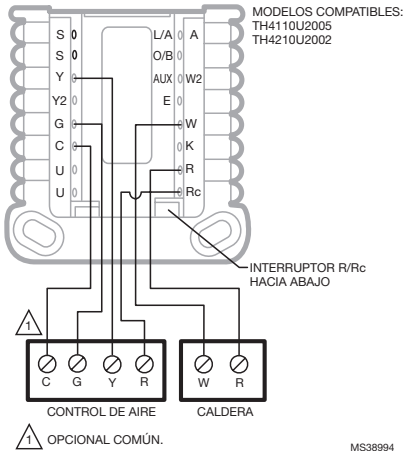


- 1 OPCIONAL COMÚN.
- MS38992

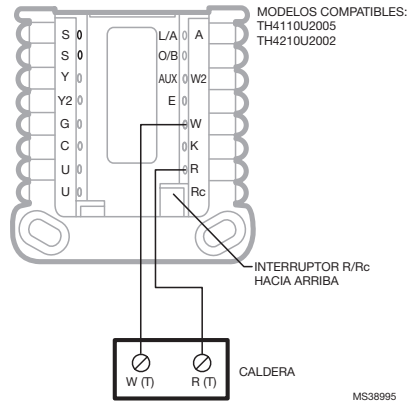
Sistema de 2 transformadores, 1H/1C: caldera de aceite + aire acondicionado



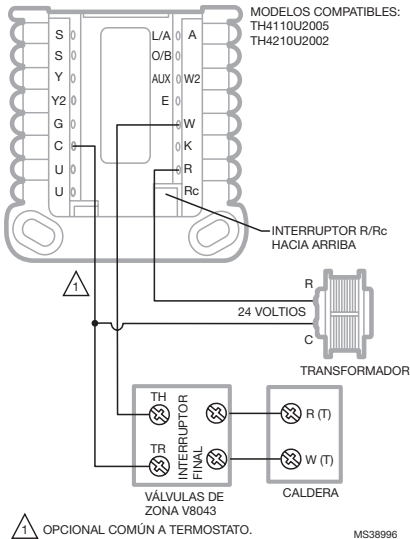
Sistema de 2 transformadores, calentamiento de agua con aire acondicionado (o ventiloconvector)



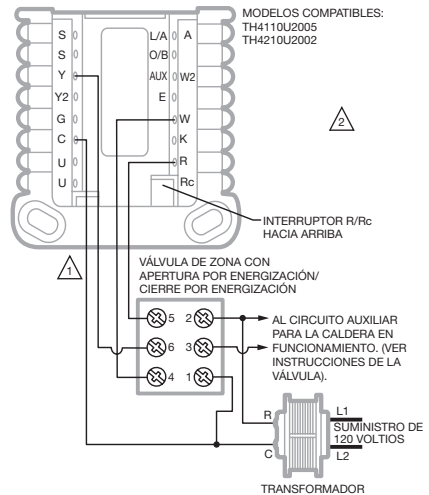
Caldera de agua caliente, solo calefacción



Calentamiento de agua con válvula de alimentación de zona abierta

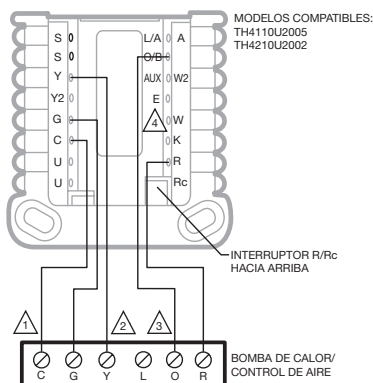


Calentamiento de agua con apertura por energización/cierre por energización, válvula de zona de la serie 20



- EL TERMOSTATO DEBE CONFIGURARSE PARA CALEFACCIÓN RADIANTE CON 0 NIVELES DE REFRIGERACIÓN.

1H/1C: Bomba de calor sin calefacción auxiliar



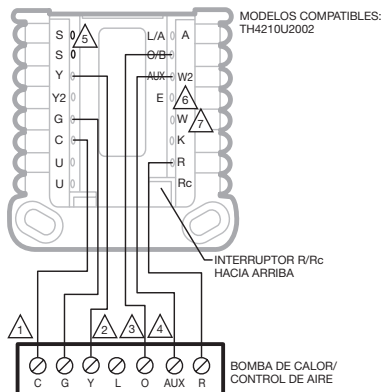
1 OPCIONAL COMÚN.

2 CONEXIÓN L (FALLA DE LA BOMBA DE CALOR) NO DISPONIBLE EN LOS MODELOS T1 Y T4. EL MODELO TH6210U2001 SE PUEDE UTILIZAR SI SE NECESITA UNA INDICACIÓN DE FALLA EN EL TERMOSTATO.

3 ALGUNAS BOMBAS DE CALOR UTILIZAN B EN LUGAR DE O PARA LA VÁLVULA DE INVERSIÓN.

4 **¡NO CONECTE NINGÚN CABLE A W PARA APLICAR BOMBAS DE CALOR! ESTO PUEDE HACER QUE LA CALEFACCIÓN FUNCIONE CONTINUAMENTE.**
MS38998

2H/1C: Bomba de calor con calefacción eléctrica auxiliar



1 OPCIONAL COMÚN.

2 CONEXIÓN L (FALLA DE LA BOMBA DE CALOR) NO DISPONIBLE EN LOS MODELOS T1 Y T4. EL MODELO TH6210U2001 SE PUEDE UTILIZAR SI SE NECESITA UNA INDICACIÓN DE FALLA EN EL TERMOSTATO.

3 ALGUNAS BOMBAS DE CALOR UTILIZAN B EN LUGAR DE O PARA LA VÁLVULA DE INVERSIÓN.

4 EN DIFERENTES MODELOS DE BOMBAS DE CALOR, EL TERMINAL DE CALOR AUXILIAR SE ETIQUETA DE FORMA DIFERENTE A LO QUE SE MUESTRA. CONSULTE LA GUÍA DE CABLEADO DE LA BOMBA DE CALOR.

5 SI SE REQUIERE EL BLOQUEO DE CALOR AUXILIAR EN UNA TEMPERATURA EXTERIOR ALTA, UTILICE EL TERMOSTATO TH6220U2000 Y EL SENSOR EXTERIOR C7089U1006. EL MODELO TH4210U2002 NO PUEDE HACER ESTO.

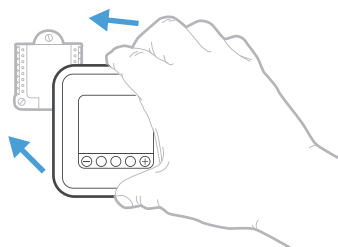
6 LA MAYORÍA DE LAS BOMBAS DE CALOR COMPARTEN EL MISMO CONJUNTO DE RESISTENCIAS ELÉCTRICAS PARA LA CALEFACCIÓN AUXILIAR Y DE EMERGENCIA. EN ESTOS CASOS, NO SE UTILIZA E. SI TIENE FUENTES DE CALOR SEPARADAS PARA LA CALEFACCIÓN AUXILIAR Y DE EMERGENCIA, EL MODELO TH4210U2002 NO SE PUEDE CONFIGURAR PARA REALIZAR ESTA ACCIÓN. EL MODELO TH6320U2008 SE PUEDE CONFIGURAR PARA LA CALEFACCIÓN AUXILIAR (AUX) Y DE EMERGENCIA (E) POR SEPARADO. SI SE REALIZA ESTA ACCIÓN, CONECTE UN JUEGO DE RESISTENCIAS A E PARA SUMINISTRAR ENERGÍA EN LA CALEFACCIÓN DE EMERGENCIA Y UN JUEGO DIFERENTE DE RESISTENCIAS A AUX PARA SUMINISTRAR ENERGÍA EN LA CALEFACCIÓN AUXILIAR.

7 **¡NO CONECTE NINGÚN CABLE A W PARA APLICAR BOMBAS DE CALOR! ESTO PUEDE HACER QUE LA CALEFACCIÓN FUNCIONE CONTINUAMENTE.**

MS39002

Montaje del termostato

1. Introduzca el excedente de cable en la abertura de la pared.
2. Cierre la tapa de la placa de la UWP. Debe permanecer cerrada sin quedar protuberante.
3. Alinee la UWP con el termostato y presione suavemente hasta que el termostato calce en su lugar.
4. Conecte el suministro de electricidad en la caja de interruptores de circuito o en el interruptor.



MCR36116

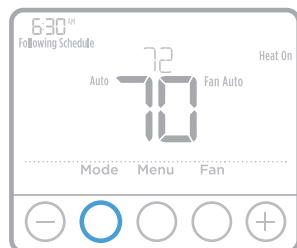
Configuraciones del sistema operativo

1. Presione el botón **Mode** (modo) para pasar al siguiente modo disponible en el sistema.
2. Alterne a través de los modos hasta que se muestre el modo de sistema requerido y deje que se active.

NOTA: Los modos disponibles del sistema varían según el modelo y las configuraciones del sistema.

Modos del sistema:

- **Auto (Automático):** El termostato selecciona el sistema de calefacción o refrigeración según sea necesario.
- **Heat (Calefacción):** El termostato controla solamente el sistema de calefacción.
- **Cool (Refrigeración):** El termostato controla solamente el sistema de refrigeración.
- **Em Heat (únicamente TH4210U) (Calefacción Em) (solamente para bombas de calor con calefacción auxiliar):** El termostato controla el calor auxiliar. No se utiliza el compresor.
- **Off (Apagado):** El sistema de calefacción y refrigeración está apagado. El ventilador aún funcionará si está configurado en On (Encendido).



MCR36517A

Configuraciones de funcionamiento del ventilador

1. Presione el botón **Fan** (ventilador) para pasar al siguiente modo de ventilador disponible.
2. Alterne a través de los modos hasta que se muestre el modo de sistema requerido y déjelo para que se active.

NOTA: Los modos disponibles del ventilador varían según las configuraciones del sistema.

Modos del ventilador:

- **Auto (Automático):** El ventilador funciona solo cuando el sistema de calefacción o de refrigeración está encendido.
- **On (encendido):** El ventilador está siempre encendido.

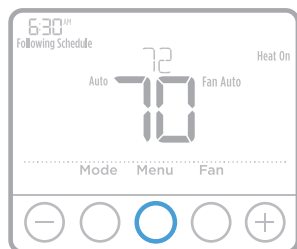


MCR36518A

Configuración de hora y fecha

Hora

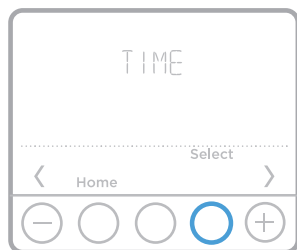
- 1 Presione **Menu** (Menú) y, luego, el símbolo **+** para ir a **TIME** (Hora). Presione **Select** (Seleccionar).
- 2 Presione **+** o **-** para elegir entre 12 o 24 horas.
- 3 Use **+** o **-** para ajustar la hora. Presione **Select** (seleccionar).
- 4 Use **+** o **-** para ajustar los minutos. Presione **Select** (seleccionar).



MCR36519A

Fecha

- 1 Si ha configurado la hora previamente, continúe con el paso 2. Si está en la pantalla de inicio, presione **Menu** (menú) en el termostato.
- 2 Presione **+** o **-** para ir a **DATE** (fecha) Presione **Select** (seleccionar).
- 3 Use **+** o **-** para ajustar el año. Presione **Select** (seleccionar).
- 4 Use **+** o **-** para ajustar el mes. Presione **Select** (seleccionar).
- 5 Utilice los símbolos **+** o **-** para ajustar la fecha. Presione **Select** (seleccionar) para guardar y salir del menú de Fecha.



MCR36523

Cronograma del programa

Puede programar cuatro períodos de tiempo por día, con diferentes configuraciones para los días de semana y los fines de semana. Recomendamos las configuraciones preestablecidas (que se muestran en el cuadro a continuación), debido a que estas reducen los gastos de calefacción y refrigeración.

Wake (Despertar) - Programe la hora en que se despierta y la temperatura que desea durante la mañana, hasta que se marche de su casa.

Away (Fuera) - Programe la hora en que se marcha de su casa y la temperatura que desea mientras no está en su casa (por lo general, un nivel de ahorro de energía).

Home (En casa) - Programe la hora en que regresa a su casa y la temperatura que desea durante la tarde hasta que se va a dormir.

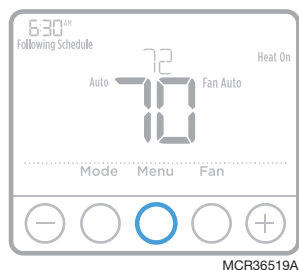
Sleep (Dormir) - Programe la hora en que se va a dormir y la temperatura que desea durante toda la noche (por lo general, un nivel de ahorro de energía).

NOTA: Para anular de forma temporal o permanente cualquiera de los cronogramas del programa anterior, consulte la página 4.

	Heat Calefacción	Cool Refrigeración
Wake (Despertar) (6:00 a.m.)	70°	78°
Away (Fuera) (8:00 a.m.)	62°	85°
Home (En casa) (6:00 p.m.)	70°	78°
Sleep (Dormir) (10:00 p.m.)	62°	82°

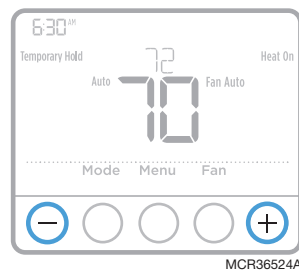
Para ajustar los cronogramas del programa

- 1 Presione **Menu** (menú) en su termostato.
- 2 Aparecerá **PROG.** Presione **Select** (seleccionar). Aparece **ON** (encendido). (Si no desea utilizar la configuración del cronograma, presione \oplus o \ominus para mostrar **OFF** [apagado]. Presione **Select** [seleccionar].) Presione **Select** (seleccionar).
- 3 Presione \oplus o \ominus para seleccionar el día o grupo de días para editar. Presione **Select** (seleccionar).
- 4 Presione \oplus o \ominus para seleccionar un período de cronograma para editar (Wake [despertar], Away [fuera], Home [en casa] y Sleep [dormir]). Presione **Select** (seleccionar).
- 5 Aparecerá **ON** (encendido). Presione **Select** (seleccionar) para mantener activado el período del cronograma. O presione **Select** (seleccionar) para desactivar el período del cronograma.
- 6 La hora comienza a destellar. Presione \oplus o \ominus para ajustar la hora de inicio del período del cronograma. Presione **Select** (seleccionar).
- 7 La temperatura comienza a parpadear. Presione \oplus o \ominus para ajustar el punto de referencia de la temperatura en "Heat" (calefacción). Presione **Select** (seleccionar). Presione \oplus o \ominus para ajustar el punto de referencia de la temperatura en "Cool" (refrigeración). Presione **Select** (seleccionar).
- 8 Repita los pasos 4 al 7 para los períodos restantes del cronograma.
- 9 Presione **Home** (pantalla de inicio) cuando haya terminado para almacenar y regresar a la pantalla de inicio.
- 10 El cronograma se puede ajustar y activar o desactivar regresando al **Menu** (menú) y siguiendo los pasos indicados anteriormente.



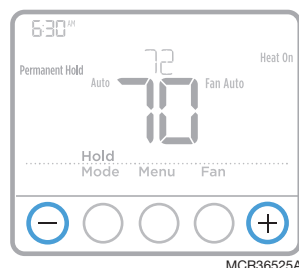
Anulación del cronograma del programa (temporal)

- 1 Presione \oplus o \ominus para regular la temperatura.
- 2 Una vez que se encuentre en la temperatura del punto de referencia deseado, no necesita hacer nada más. El nuevo punto de referencia de la temperatura se mantendrá hasta que comience el siguiente período. Para obtener información sobre los períodos de tiempo del cronograma, consulte "Cronograma del programa" en la página 3.
- 3 Para cancelar la pausa temporal, presione \oplus o \ominus y luego presione **Cancel** (cancelar).



Anulación del cronograma del programa (permanente)

- 1 Presione \oplus o \ominus para regular la temperatura.
- 2 Las palabras **TEMPORARY HOLD** (pausa temporal) se muestran y el punto de referencia de la temperatura destella. Mientras está destellando, presione el botón **Hold** (pausa) para cambiar a pausa permanente.
- 3 Para cancelar la pausa permanente, presione \oplus o \ominus y luego presione **Cancel** (cancelar).



Ajuste del bloqueo del teclado

- 1 Presione **Menu** (menú) en su termostato.
- 2 Presione **+** o **-** para ir a **LOCK** (bloqueo). Presione **Select** (seleccionar).
- 3 Presione **+** o **-** para ir a **OFF** (apagado), **PART** (parcial) u **ON** (encendido) y seguidamente presione **Select** (seleccionar).
OFF (apagado): Desbloqueado y permite el acceso total.
PART (parcial): Bloqueo parcial, permitiendo solo el cambio de la temperatura.
ON (encendido): Acceso no permitido.
- 4 Para desbloquear el teclado, presione el botón **central** y seguidamente ingrese la contraseña "1234". Para ingresar la contraseña, presione **+** o **-** para cambiar el primer dígito del número. Seguidamente presione **Select** (seleccionar). Repita este proceso para ingresar del segundo al cuarto dígito del número. Una vez que se hayan ingresado los cuatro números, presione **Select** (seleccionar) nuevamente.
- 5 Esto desbloqueará el teclado.
- 6 Si el código es incorrecto, la pantalla destellará con las líneas "--".
- 7 Presione **Back** (regresar) para retroceder un paso e ingresar el número correcto y presionar **Select** (seleccionar).

NOTA: En algunos modelos, el bloqueo del teclado no está disponible en el menú si en el instalador no se habilitó el bloqueo durante su configuración.

Ajustar el brillo de la pantalla para la luz de fondo inactiva

- 1 Presione **Menu** (Menú) en el termostato.
- 2 Presione **+** or **-** para ir a **LITE** (Luz). Presione **Select** (Seleccionar).
- 3 Se muestra la configuración actual del brillo (1-5).
- 4 Presione **+** or **-** para ajustar el brillo de la luz de fondo.
- 5 Presione **Select** (Seleccionar) para guardar y salir del menú **LITE** (Luz).

NOTA: la luz de fondo se muestra únicamente si el cable C (común) está conectado.

Recuperación inteligente adaptable

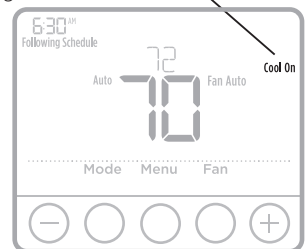
Con el tiempo, el termostato T4 Pro "sabe" cuánto demora el sistema en alcanzar la temperatura que desea. Este activa el sistema de calefacción o refrigeración más temprano para que esté confortable a la hora que usted espera.

Protección del compresor incorporada

El compresor puede dañarse si se vuelve a iniciar inmediatamente después de que se haya apagado. Esta característica hace que el compresor demore unos minutos antes de volver a iniciarse.

Durante el tiempo de espera, la pantalla titilará mostrando el mensaje Cool On (refrigeración activada) (o Heat On [calefacción activada] si tiene una bomba de calor). Cuando haya transcurrido el tiempo de espera de seguridad, el mensaje dejará de titilar y se encenderá el compresor.

El mensaje titila hasta que haya transcurrido el tiempo de reinicio de seguridad.



MCR36526A

Reemplazo de las baterías

Las baterías son opcionales (para ofrecer suministro de energía de respaldo) si su termostato fue cableado para funcionar con corriente CA cuando fue instalado. Si su termostato no fue cableado para funcionar con suministro de energía CA, necesita baterías.

Instale baterías nuevas inmediatamente cuando aparezca el icono de baterías con poca carga. El icono aparece aproximadamente dos meses antes de que se agoten las baterías.

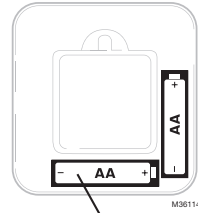
Incluso si el icono de batería con poca carga no aparece, debe reemplazar las baterías una vez al año o antes de abandonar el hogar por más de un mes.

Si coloca las baterías en el lapso de dos minutos, no tendrá que volver a configurar la hora y el día. Todos los otros ajustes están almacenados de manera permanente en la memoria y no requieren suministro energía de la batería.

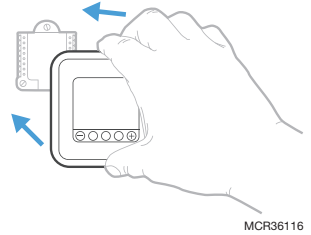
NOTA: Cuando reemplace las baterías, se recomiendan las baterías alcalinas.



Cuando aparezca la advertencia de batería con poca carga, presione suavemente para aflojar el termostato y luego retírelo cuidadosamente de la pared.





Inserte baterías AA alcalinas nuevas y vuelva a instalar el termostato.

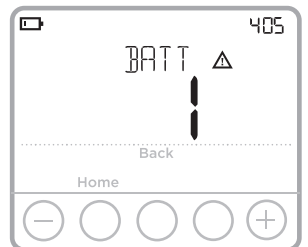
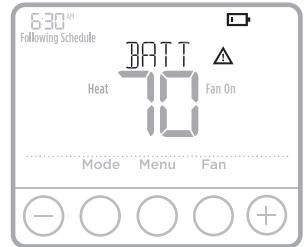


Avisos




Si hay un aviso o recordatorio, el icono de alerta  aparece en la pantalla de inicio.

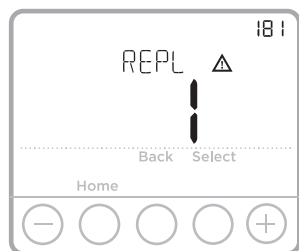
Advertencia de batería con poca carga

- 1 Las baterías se deben cambiar cuando aparezca el icono de aviso **BATT** (batería)  y el icono de la batería se muestre en la pantalla de inicio.
- 2 Cuando el suministro de energía de la batería esté muy bajo, la luz de fondo del termostato se desactiva para ahorrar suministro de energía de la batería.
- 3 Cuando el suministro de energía de la batería esté extremadamente bajo, solo se mostrará **BATT** (batería), el icono de aviso  y el icono de la batería.





Recordatorio del filtro de aire

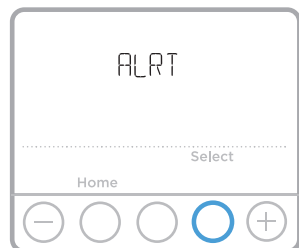
- 1 Aparece el icono de aviso  en la pantalla de inicio.
- 2 Presione **Menú**, y después pulse  hasta que la pantalla muestra **ALRT**.
- 3 Presione **Select** (seleccionar) para mostrar cuál(es) alerta(s) está(n) presente(s).
- 4 Aparece el mensaje **REPL** (reemplace el filtro de aire).
- 5 El recordatorio se puede repetir o borrar. Resideo recomienda el cambio del filtro de aire antes de eliminar el recordatorio.
- 6 Para repetir el aviso, presione **Select** (seleccionar). Aparece la palabra **SNZE** (repetición del aviso).
- 7 Presione **Select** (seleccionar) nuevamente para repetir el recordatorio en 7 días.
- 8 Para eliminar, presione **Select** (seleccionar) y luego presione  para ir a **CLER** (borrar).
- 9 Presione **Select** (seleccionar) para borrar el recordatorio del filtro de aire.



M36532

Repetición del aviso y borrar todos los avisos o recordatorios*

- 1 Presione **Menú**, y después pulse  hasta que la pantalla muestra **ALRT**.
- 2 Presione **Select** (seleccionar) para mostrar cuál(es) alerta(s) está(n) presente(s).
- 3 Aparece la palabra **SNZE** (repetición del aviso).
- 4 Presione **Select** (seleccionar) nuevamente para repetir el recordatorio en 7 días.
- 5 Para eliminar el aviso, presione **Select** (seleccionar) y luego presione  para ir a **CLER** (borrar).
- 6 Presione **Select** (seleccionar) para borrar el recordatorio.

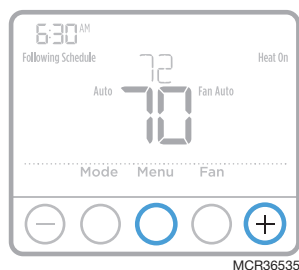


MCR36533

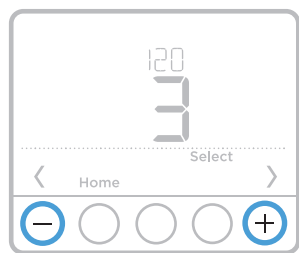
* Algunos avisos no se pueden repetir o borrar. Si esto ocurre, llame a su profesional local de calefacción y refrigeración. Es posible que el sistema de calefacción y refrigeración pueda necesitar servicio.

Configuración por el instalador (ISU)

- 1 Presione y sostenga **CENTER** (centro) y los botones **+** durante aproximadamente 3 segundos para ingresar al menú avanzado.
- 2 Presione **Select** (seleccionar) para ingresar al **ISU**.
- 3 Presione **Select** (seleccionar) para avanzar a través de las opciones del menú de configuración.
- 4 Presione **+** o **-** para cambiar los valores o seleccionar las opciones disponibles.
- 5 Presione **Select** (seleccionar) y confirme la configuración o presione **Back** (atrás) para ignorar los cambios y regresar a la pantalla del menú ISU para continuar revisando otra opción de configuración.
- 6 Para finalizar el proceso de configuración y guardar los cambios, presione **Home** (inicio) y regrese a la pantalla de inicio.



MCR36535



MCR36520

NOTA: Una lista completa de todos los parámetros de configuración y opciones se muestra a continuación y continúa hasta la página 16.

Opciones avanzadas de configuración (ISU)

NOTA: Dependiendo de las configuraciones del sistema, es posible que no todas las opciones estén disponibles.

N.º del ISU	Nombre del ISU	Opciones del ISU (las configuraciones predeterminadas de fábrica están en negrita)
120	Opciones de programación	0 = No programable 2 = Programable 5-2 3 = Programable 5-1-1 4 = Programable para 7 días <i>Nota: Aquí puede cambiar el cronograma predeterminado de MO-FR, SA-SU (LUN-VIE, SAB-DOM). Para editar los periodos durante los días, los puntos de referencia de temperatura o para activar/desactivar el cronograma, toque MENU (Menú) y dirijase a SCHEDULE (Cronograma).</i>
125	Escala de indicación de temperatura	0 = Fahrenheit 1 = Centígrados
200	Tipo de sistema de calefacción	1 = Calefacción de aire forzado convencional 2 = Bomba de calor 3 = Calefacción radiante 5 = Ninguna (refrigeración únicamente) <i>Nota: Esta opción selecciona el tipo de sistema básico que controlará el termostato.</i>

Opciones avanzadas de configuración (ISU) (continuado)

N.º del ISU	Nombre del ISU	Opciones del ISU (las configuraciones predeterminadas de fábrica están en negrita)																
205	Tipo de equipo de calefacción	<p><i>Calefacción de aire forzado convencional:</i> 1 = Aire forzado por gas de eficiencia estándar 2 = Aire forzado por gas de alta eficiencia 3 = Aire forzado por aceite 4 = Aire forzado por electricidad 5 = Serpentin del ventilador agua caliente</p> <p><i>Bomba de calor:</i> 7 = Bomba de calor aire a aire 8 = Bomba de calor geotérmica</p> <p><i>Calefacción radiante:</i> 9 = Agua caliente por calefacción radiante 12 = Vapor</p> <p><i>Nota: Esta opción selecciona el tipo de equipo que controlará su termostato. Nota: Esta característica NO aparecerá si la característica 200 se configura en Cool Only (Solo refrigeración).</i></p>																
218	Válvula de inversión O/B	<p>0 = O (O/B en refrigeración) 1 = B (O/B en calefacción)</p> <p><i>Nota: Esta opción solo aparece si se configura la bomba de calor. Seleccione si la válvula de inversión O/B debe suministrar energía en refrigeración o en calefacción</i></p>																
220	Etapas de refrigeración / etapas del compresor 200=Conv / 200=HP	<p>0, 1</p> <p><i>Nota: Seleccione cuántas etapas de refrigeración o del compresor de su equipo controlará el termostato. Configure el valor en 0 si no tiene etapa de refrigeración/etapa del compresor.</i></p>																
221	Fases de calefacción / Fases de la calefacción de respaldo	<p>Etapas de calefacción: 1 Etapas de calefacción de reserva: 0, 1</p> <p><i>Nota: Seleccione cuántas etapas de calefacción o Aux/E de su equipo controlará el termostato.</i></p>																
230	Control del ventilador en calefacción	<p>1 = El equipo controla el ventilador 2 = El termostato controla el ventilador</p> <p><i>Nota: este ISU solo se muestra si se configuró ISU 205 como aire forzado eléctrico o como ventiladorconvector.</i></p>																
300	Cambio de sistema	<p>0 = Manual 1 = Automático</p> <p><i>Nota: El termostato puede controlar de manera automática tanto la calefacción como la refrigeración, con el fin de mantener la temperatura interna deseada. Para poder seleccionar el modo de sistema "automático" en la pantalla de inicio del termostato, active esta característica. Desactívela si desea controlar la calefacción o la refrigeración de forma manual.</i></p>																
303	Diferencial de conversión automática	<p>de 0 °F a 5 °F de 0.0 °C a 2.5 °C</p> <p><i>Nota: El diferencial NO es la banda muerta. El diferencial significa cuánto avanza después de pasar el punto de referencia antes de cambiar al modo seleccionado. La configuración de la banda muerta no es una opción. Un algoritmo avanzado fija la banda muerta a 0 °F. Esto es más avanzado que en los termostatos anteriores.</i></p>																
340	Descenso del calor de reserva (únicamente TH4210U)	<table> <tr> <td>0 = Confort</td> <td>9 = 9 °F</td> </tr> <tr> <td>2 = 2 °F</td> <td>10 = 10 °F</td> </tr> <tr> <td>3 = 3 °F</td> <td>11 = 11 °F</td> </tr> <tr> <td>4 = 4 °F</td> <td>12 = 12 °F</td> </tr> <tr> <td>5 = 5 °F</td> <td>13 = 13 °F</td> </tr> <tr> <td>6 = 6 °F</td> <td>14 = 14 °F</td> </tr> <tr> <td>7 = 7 °F</td> <td>15 = 15 °F</td> </tr> <tr> <td>8 = 8 °F</td> <td></td> </tr> </table>	0 = Confort	9 = 9 °F	2 = 2 °F	10 = 10 °F	3 = 3 °F	11 = 11 °F	4 = 4 °F	12 = 12 °F	5 = 5 °F	13 = 13 °F	6 = 6 °F	14 = 14 °F	7 = 7 °F	15 = 15 °F	8 = 8 °F	
0 = Confort	9 = 9 °F																	
2 = 2 °F	10 = 10 °F																	
3 = 3 °F	11 = 11 °F																	
4 = 4 °F	12 = 12 °F																	
5 = 5 °F	13 = 13 °F																	
6 = 6 °F	14 = 14 °F																	
7 = 7 °F	15 = 15 °F																	
8 = 8 °F																		
350	Temporizador secundario de la calefacción de reserva (únicamente TH4210U)	<table> <tr> <td>0 = Apagado</td> <td>5 = 90 minutos</td> </tr> <tr> <td>1 = 30 minutos</td> <td>6 = 2 horas</td> </tr> <tr> <td>2 = 45 minutos</td> <td>7 = 3 horas</td> </tr> <tr> <td>3 = 60 minutos</td> <td>8 = 4 horas</td> </tr> <tr> <td>4 = 75 minutos</td> <td>10 = 5 horas</td> </tr> </table>	0 = Apagado	5 = 90 minutos	1 = 30 minutos	6 = 2 horas	2 = 45 minutos	7 = 3 horas	3 = 60 minutos	8 = 4 horas	4 = 75 minutos	10 = 5 horas						
0 = Apagado	5 = 90 minutos																	
1 = 30 minutos	6 = 2 horas																	
2 = 45 minutos	7 = 3 horas																	
3 = 60 minutos	8 = 4 horas																	
4 = 75 minutos	10 = 5 horas																	

Opciones avanzadas de configuración (ISU) (continuado)



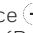


N.º del ISU	Nombre del ISU	Opciones del ISU (las configuraciones predeterminadas de fábrica están en negrita)
365	Frecuencia del ciclo del compresor (etapa 1)	1 - 6 <i>Nota: este ISU solo se muestra si se configuró la fase de compresión o de refrigeración como 1 fase. La frecuencia de ciclo limita la cantidad máxima de veces que el sistema puede realizar un ciclo en un periodo de 1 hora con una carga del 50 %. Por ejemplo, cuando se configura en 3 CPH y con una carga del 50 %, la cantidad máxima de ciclos del sistema será de 3 por hora (10 minutos encendido, 10 minutos apagado). El sistema realiza ciclos con menos frecuencia cuando las condiciones de carga son menores o mayores que una carga del 50 %.</i>
370	Frecuencia del ciclo de calefacción (etapa 1)	1 - 12 <i>Nota: este ISU solo se muestra si se configuró la fase de calefacción como 1 fase. La frecuencia de ciclo limita la cantidad máxima de veces que el sistema puede realizar un ciclo en un periodo de 1 hora con una carga del 50 %. Por ejemplo, cuando se configura en 3 CPH y con una carga del 50 %, la cantidad máxima de ciclos del sistema será de 3 por hora (10 minutos encendido, 10 minutos apagado). El sistema realiza ciclos con menos frecuencia cuando las condiciones de carga son menores o mayores que una carga del 50 %. A continuación, se detallan las configuraciones recomendadas (predeterminadas) para la frecuencia de ciclo según cada tipo de equipo de calefacción: aire forzado de gas de eficiencia estándar = 5 CPH; aire forzado de gas de alta eficiencia = 3 CPH, aire forzado de petróleo = 5 CPH; aire forzado eléctrico = 9 CPH; ventilconvector = 3 CPH; calefacción radiante de agua caliente = 3 CPH; vapor = 1 CPH.</i>
375	Calefacción auxiliar de frecuencia de ciclo de la calefacción (únicamente TH4210U)	1 - 12
387	Protección del compresor	0 = Apagado 1 - 5 minutos <i>Nota: el termostato posee una protección incorporada para el compresor (temporizador de apagado mínimo) que impide que el compresor se reinicie con demasiada anticipación después de un apagado. El temporizador de apagado mínimo se activa después de que se apaga el compresor. Si hay una señal de activación mientras el temporizador de apagado mínimo está activo, el termostato indica "Wait" (Espere) en la pantalla. Este ISU se muestra si se configuró ISU 220 como al menos 1 fase.</i>
425	Recuperación inteligente adaptable (Adaptive Intelligent Recovery, AIR)	0 = No 1 = Sí <i>Nota: Recuperación inteligente adaptable (Adaptive Intelligent Recovery, AIR) es una configuración de confort. El equipo de calefacción o refrigeración se activará más temprano, para que la temperatura en interiores coincida con el punto de referencia a la hora programada.</i>
430	Punto de referencia mínimo de refrigeración	50 °F a 99 °F (50 °F) 10.0 °C a 37.0 °C (10.0 °C) <i>Nota: La temperatura de refrigeración no puede configurarse por debajo de este nivel.</i>
431	Punto de referencia máximo de calefacción	40 °F a 90 °F (90 °F) 4.5 °C a 32.0 °C (32 °C) <i>Nota: La temperatura de calefacción no puede configurarse por encima de este nivel.</i>

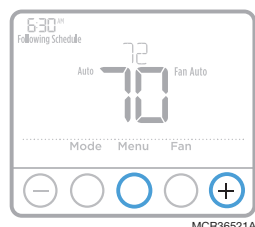
Opciones avanzadas de configuración (ISU) (continuado)

N.º del ISU	Nombre del ISU	Opciones del ISU (las configuraciones predeterminadas de fábrica están en negrita)	
435	Bloqueo del teclado	<p>Configuración en los modelos T4 originales: 0 = Ninguno 1 = Parcial 2 = Lleno</p>	<p>Configuración en los modelos T4 actuales: 0 = Deshabilitado 1 = Habilitado</p>
		<p><i>Nota: Debido a los comentarios de los clientes, esta función se modificó. En el software original, puede bloquear el termostato desde ISU, de la misma manera que puede hacerlo desde el bloqueo del menú. En el caso de las últimas versiones, esta configuración le permite al contratista habilitar o deshabilitar la función de bloqueo. Cuando se deshabilita, no aparece ninguna opción de bloqueo en el menú. El código de bloqueo es 1234.</i></p>	
702	Cantidad de filtros de aire	<p>0 - 2 <i>Nota: este ISU se refiere a la cantidad de filtros de aire del sistema.</i></p>	
711	Recordatorio 1 de cambio del filtro de aire	<p>0 = Apagado 1 = 10 días de tiempo de ejecución 10 = 45 días calendario 2 = 20 días de tiempo de ejecución 11 = 60 días calendario 3 = 30 días de tiempo de ejecución 12 = 75 días calendario 4 = 45 días de tiempo de ejecución 13 = 3 meses calendario 5 = 60 días de tiempo de ejecución 14 = 4 meses calendario 6 = 90 días de tiempo de ejecución 15 = 5 meses calendario 7 = 120 días de tiempo de ejecución 16 = 6 meses calendario 8 = 150 días de tiempo de ejecución 17 = 9 meses calendario 9 = 30 días calendario 18 = 12 meses calendario 19 = 15 meses calendario</p> <p><i>Nota: Configure un recordatorio de cuándo debe cambiar el filtro de aire. Elija si el recordatorio se basará en los días calendario o en los días de funcionamiento del equipo.</i></p>	
712	Recordatorio 2 de cambio del filtro de aire	<p>0 = Apagado 1 = 10 días de tiempo de ejecución 10 = 45 días calendario 2 = 20 días de tiempo de ejecución 11 = 60 días calendario 3 = 30 días de tiempo de ejecución 12 = 75 días calendario 4 = 45 días de tiempo de ejecución 13 = 3 meses calendario 5 = 60 días de tiempo de ejecución 14 = 4 meses calendario 6 = 90 días de tiempo de ejecución 15 = 5 meses calendario 7 = 120 días de tiempo de ejecución 16 = 6 meses calendario 8 = 150 días de tiempo de ejecución 17 = 9 meses calendario 9 = 30 días calendario 18 = 12 meses calendario 19 = 15 meses calendario</p> <p><i>Nota: Configure un recordatorio de cuándo debe cambiar el filtro de aire. Elija si el recordatorio se basará en los días calendario o en los días de funcionamiento del equipo.</i></p>	
1400	Iluminación de fondo	<p>0 = A petición 1 = Continua <i>Nota: El cable común es necesario para la iluminación continua.</i></p>	
1401	Brillo de la iluminación de fondo	<p>1 - 5 <i>Nota: Solo se muestra si se selecciona la iluminación de fondo continua.</i></p>	
1410	Formato del reloj	12 / 24	
1415	Horario de verano	<p>0 = Apagado 1 = Encendido <i>Nota: Configúrelo como Off (apagado) en las regiones en que no se sigue un horario de verano.</i></p>	
1420	Ajuste del indicador de temperatura	<p>-3 a 3F (0) -1.5 a 1.5C (0) <i>Nota: 0 °F. No hay diferencia entre la temperatura que se muestra y la temperatura ambiente real. El termostato puede mostrar hasta 3 °F (1,5 C) menos o más que la temperatura medida real.</i></p>	

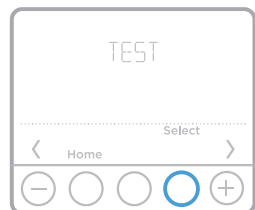
Prueba del sistema por parte del instalador

Para realizar una prueba del sistema:

- 1 Presione y sostenga **CENTER** (centro) y los botones  durante aproximadamente 3 segundos para ingresar al menú avanzado.
- 2 Use  para ir a **TEST** (prueba). Presione **Select** (seleccionar) para iniciar la prueba del sistema.
- 3 Utilice  para alternar entre Heat (Calefacción), Cool (Refrigeración), Fan (Ventilador), Em. Heat (Calefacción de emergencia) (únicamente TH4210U) o Ver (Información de versión del termostato).
- 4 Presione  para encender la calefacción, la refrigeración o el ventilador. Presione  para apagarlos.
- 5 Use el botón **Home** (inicio) para salir de la prueba del sistema.



MCR36521A



MCR36522

Prueba del sistema

Estados del sistema

Calefacción	0	Todo apagado
	1	Calefacción activada
	2	Calefacción activada (únicamente TH4210U)
Refrigeración	0	Todo apagado
	1	Refrigeración activada
Ventilador	0	Ventilador apagado
	1	Ventilador activado
Calefacción de emergencia (únicamente TH4210U)	0	Calefacción de emergencia apagada
	1	Calefacción de emergencia encendida

Especificaciones

Rangos de temperatura

Calefacción: de 40 °F a 90 °F (4.5 °C a 32.0 °C)
refrigeración: de 50 °F a 99 °F (10.0 °C a 37.0 °C)

Temperatura ambiente de funcionamiento

de 37 °F a 102 °F (de 2.8 °C a 38.9 °C)

Temperatura de envío

de -20 °F a 120 °F (de -28.9 °C a 48.9 °C)

Humedad relativa de funcionamiento

5% al 90% (sin condensación)

Dimensiones físicas en pulgadas (mm) (alto x ancho x profundidad)

4-1/16" H x 4-1/16" W x 1-5/32" D

103.5 mm de alto x 103.5 mm de ancho x 29 mm de profundidad

Clasificaciones eléctricas

Terminal	Voltaje (50/60Hz)	Corriente de funcionamiento
W Calefacción	20-30 V CA	0.02-1.0 A
W2 Calefacción (Aux) (únicamente TH4210U)	20-30 V CA	0.02-1.0 A
E Calefacción de emergencia (únicamente TH4210U)	20-30 V CA	0.02-0.5 A
Y Etapa 1 del compresor	20-30 V CA	0.02-1.0 A
G Ventilador	20-30 V CA	0.02-0.5 A
O/B Cambio	20-30 V CA	0.02-0.5 A

Localización y solución de problemas

Si tiene dificultades con el termostato, intente seguir las sugerencias que se indican a continuación. La mayoría de los problemas pueden solucionarse de manera fácil y rápida.

- La pantalla está en blanco**
- Revise el interruptor de circuito y, si es necesario, reinícielo.
 - Asegúrese de que el interruptor de suministro de energía del sistema de calefacción y refrigeración esté encendido.
 - Asegúrese de que la puerta del sistema de calefacción esté bien cerrada.
 - Asegúrese de que las baterías AA alcalinas estén instaladas correctamente (consulte la página 3).
- El sistema de calefacción o refrigeración no responde**
- Presione **Mode** (modo) para configurar el sistema de calefacción (consulte la pág. 7) Asegúrese de que la temperatura deseada sea más alta que la temperatura interior.
 - Presione **Mode** (modo) para configurar el sistema de refrigeración (consulte la pág. 7) Asegúrese de que la temperatura deseada sea más baja que la temperatura interior.
 - Revise el interruptor de circuito y, si es necesario, reinícielo.
 - Asegúrese de que el interruptor de suministro de energía del sistema de calefacción y refrigeración esté encendido.
 - Asegúrese de que la puerta del sistema de calefacción esté bien cerrada.
 - Espere 5 minutos para que responda el sistema.
- Las configuraciones de la temperatura no cambian.**
- Asegúrese de que las temperaturas de calefacción y refrigeración estén configuradas en rangos aceptables:
- Calefacción: 40 °F a 90 °F (4.5 °C a 32.0 °C)
 - Refrigeración: 50 °F a 99 °F (10.0 °C a 37.0 °C)
- El mensaje “Cool On” (refrigeración activada) (o “Heat On”) (calefacción activada) está destellando.**
- La función de la protección del compresor está funcionando. Espere 5 minutos para que el sistema se vuelva a iniciar de forma segura, sin dañar el compresor.
- La calefacción auxiliar se ejecuta en la refrigeración**
- Para los sistemas con bomba de calor, verifique que no haya un cable adherido a W en los sistemas UWP. Consulte “Sistemas de cableado de bombas de calor” de la página 4.
- La refrigeración se ejecuta con la activación de la calefacción**
- Para los sistemas con bomba de calor, verifique que no haya un cable adherido a W en los sistemas UWP. Consulte “Sistemas de cableado de bombas de calor” de la página 4.



PRECAUCIÓN: PELIGRO DE ELECTROCUCIÓN

Puede causar descargas eléctricas o daños al equipo. Desconecte el suministro eléctrico antes de comenzar la instalación.



PRECAUCIÓN: RIESGOS DE DAÑOS AL EQUIPO

Se evita la protección del compresor durante la prueba. Para prevenir daños al equipo, evite encender y apagar rápidamente el compresor.



PRECAUCIÓN: AVISO SOBRE EL MERCURIO

Si este producto está reemplazando a un equipo de control existente que contiene mercurio en un tubo sellado, no coloque dicho equipo en la basura. Contacte al organismo encargado del manejo y disposición de desechos de su localidad para obtener instrucciones sobre cómo reciclar y desechar adecuadamente.



PRECAUCIÓN: AVISO DE DESPERDICIO ELECTRÓNICO

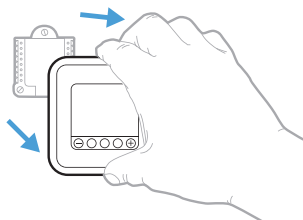
El producto y las baterías no deben desecharse junto con otros residuos domésticos. Busque los centros de recolección autorizados o las empresas de reciclado autorizadas más cercanas. Si desecha los equipos de manera correcta al final de su vida útil, ayudará a prevenir posibles consecuencias negativas para el medio ambiente y la salud del ser humano.

Declaración de la Comisión Federal de Comunicaciones (Federal Communications Commission, FCC) en: <https://customer.resideo.com/en-US/support/residential/codes-and-standards/FCC15105/Pages/default.aspx>

Asistencia al cliente

Para obtener asistencia con este producto, visite customer.resideo.com.

O llame al número gratuito del servicio de atención al cliente, **1-800-468-1502**.



MCR36080

Hale para retirar el termostato de la UWP.



www.resideo.com

Resideo Technologies Inc.
1985 Douglas Drive North, Golden Valley, MN 55422
1-800-468-1502
33-00614EFS-02 M.S. Rev. 05-22 | Impreso en EE. UU.

© 2022 Resideo Technologies, Inc. All rights reserved.
The Honeywell Home trademark is used under license from Honeywell International, Inc. This product is manufactured by Resideo Technologies, Inc. and its affiliates.
Tous droits réservés. La marque de commerce Honeywell Home est utilisée avec l'autorisation d'Honeywell International, Inc.
Ce produit est fabriqué par Resideo Technologies, Inc. et ses sociétés affiliées.
Todos los derechos reservados. La marca comercial Honeywell Home se utiliza bajo licencia de Honeywell International, Inc.
Este producto es fabricado por Resideo Technologies, Inc. y sus afiliados.



33-00614EFS-02