

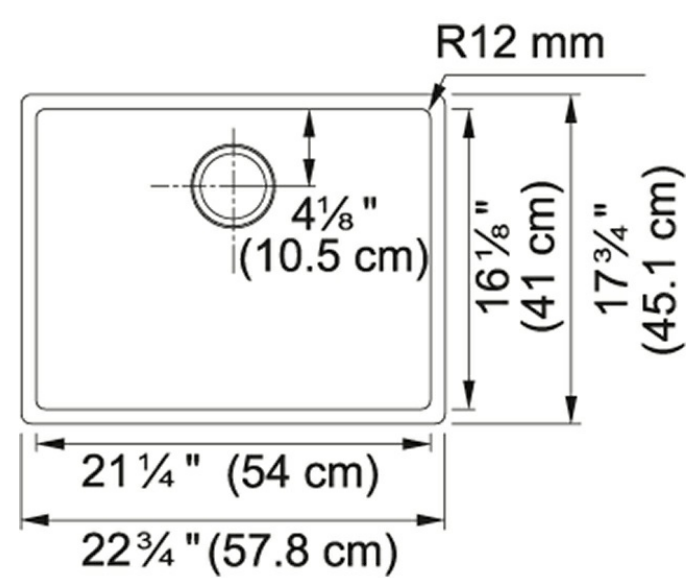
Cube Stainless Steel

The new Cube family of handcrafted undermount sinks combines Swiss engineering with sleek, minimalist design. Available in single- and double-bowl styles, the sinks feature a smooth bowl design with a clean look, an easy-to-clean satin finish and sound dampening pads. This model is ADA compliant.

Product Picture



Technical Drawing



Product Dimensions

Length overall	22 3/4"
Width overall	17 11/16"
Length of large bowl	21 1/4"
Width of large bowl	16 1/8"
Depth of large bowl	5"
Minimum Cabinet Size	27"

General Information

Type of Material	18 Gauge Stainless Steel
Number of Bowls	1
Faucet Hole	NO
Where to buy	Showroom

Article Numbers

FUN#	122.0484.653
US Part Number	CUX11021-ADA

