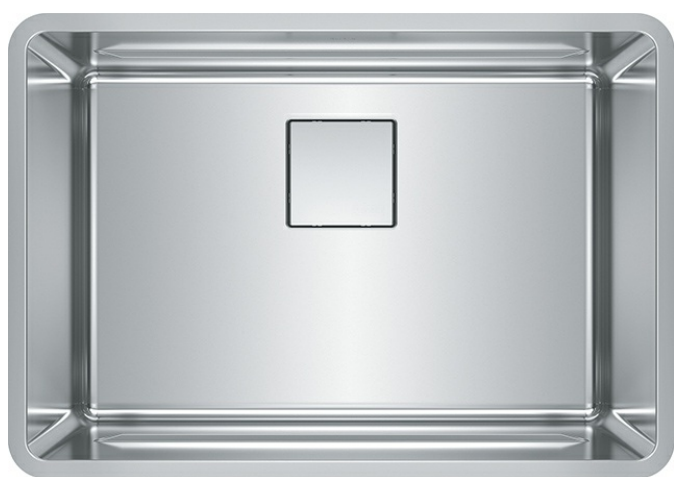


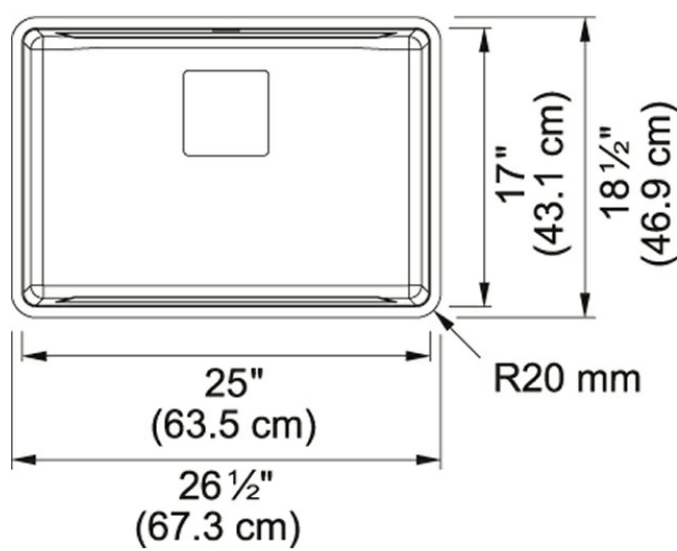
## Pescara PTX110-25 Stainless Steel

Pescara delivers timeless appeal by evoking Italian traditions and artisan culture. The essential lines and generous dimensions create a refined oasis and luxurious atmosphere, for the ultimate livable kitchen. A complete selection of accessories maximizes the efficiency of the Pescara sink with the same level of detail and quality Franke is known for.

### Product Picture



### Technical Drawing



### Product Dimensions

Length overall	18 1/2"
Width overall	26 1/2"
Depth Overall	9 1/2"
Length of large bowl	17"
Width of large bowl	25"
Minimum Cabinet Size	30"

### General Information

Cut-Out Template	Yes
Franke Integral Ledge	BUILT-IN
Where to buy	Showroom

### Article Numbers

FUN#	122.0491.565
US Part Number	PTX110-25

